

CORE

MODENA

WALL

Resembling a floating island made of steel and glass, Modena houses LumiLight LED lighting and 5-speed ICON Touch® controls within its one-inch stainless steel canopy. Nestled discreetly between the chimney and its outer ring, Modena's glass can-

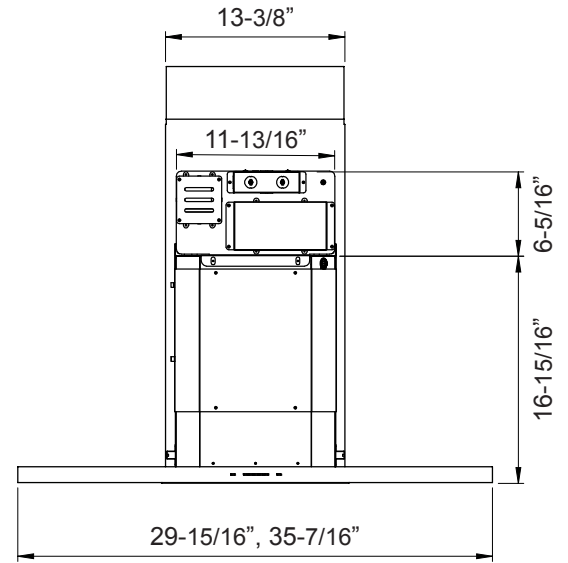
opy adds a sense of lightness and augments the range hood's symmetry and low-profile design.

**ZEPHYR**

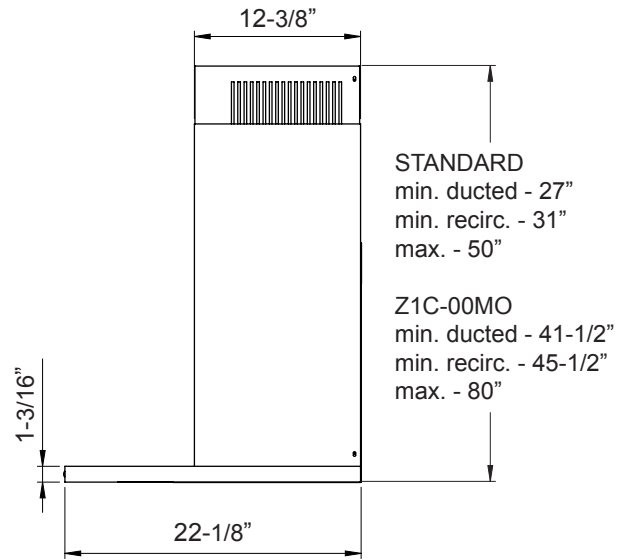
ZEPHYRONLINE.COM

ACT™

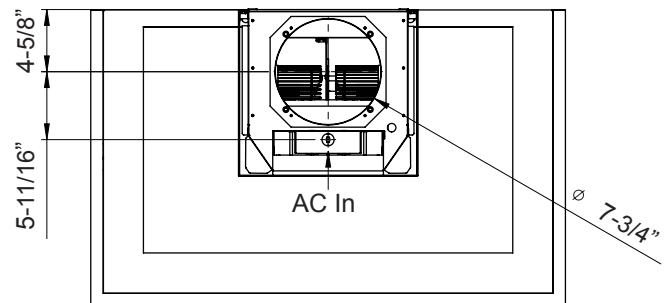
Min. - Max. CFM	INTERNAL BLOWER STANDARD	INTERNAL BLOWER with ACT™ AIRFLOW CONTROL TECHNOLOGY™*	
	200 - 600	200 - 390	200 - 290
Min. - Max. Sones	1 - 6	*AIRFLOW CONTROL TECHNOLOGY™ (ACT™) is an exclusive feature built into specific Zephyr hoods which can limit the maximum blower CFM to meet local code requirements.	



FRONT



SIDE



TOP

MODEL		
Stainless Steel w/ Glass Size	ZMO-E30BS 30"	ZMO-M90BS 36"
BLOWER PERFORMANCE		
Blower CFM (Min. - Max.)	200 - 600	200 - 600
Sones (Min. - Max.)	1 - 6	1 - 6
ACT 390 CFM (Min. - Max.)	200 - 390	200 - 390
ACT 290 CFM (Min. - Max.)	200 - 290	200 - 290
FEATURES		
ACT™ Technology	390, 290	390, 290
Controls	ICON Touch®	ICON Touch®
Speed Levels	5*	5*
Auto Delay-Off	Yes	Yes
Lighting	LumiLight LED, 6W x2	LumiLight LED, 6W x4
Dual-Level Lighting	Yes	Yes
Filters	Aluminum Mesh x1	Aluminum Mesh x1
Recirculating Option	Yes	Yes
Extension Duct Cover Option	Yes, Up to 12' Ceiling	Yes, Up to 12' Ceiling
DUCT SPECIFICATIONS		
Vertical Internal Blower	8" Round	8" Round
Horizontal Internal Blower	NA	NA
AC POWER	120V, 60Hz at Max. 4A	120V, 60Hz at Max. 4A
OPTIONAL ACCESSORIES		
Recirculating Kit	ZRC-00MO	ZRC-00MO
Extension Duct Cover	Z1C-00MO	Z1C-00MO
Stainless Steel Telescopic Backsplash	AK1710	NA
Make-Up Air Kit	MUA006A	MUA006A
MOUNTING HEIGHT RANGE**	24" - 34"	24" - 34"
WARRANTY	3 years parts, 1 year labor	3 years parts, 1 year labor

CEILING HEIGHT		8'	8.5'	9'	9.5'	10'	10.5'	11'	12'
STANDARD DUCT COVER	Ducted Mounting Height*	24" - 33"	24" - 34"	24" - 34"	28" - 34"	34" - 34"	NA	NA	NA
	Recirc Mounting Height*	24" - 29"	24" - 34"	24" - 34"	28" - 34"	34" - 34"	NA	NA	NA
EXTENSION DUCT COVER	Ducted Mounting Height*	NA	24" - 24.5"	24" - 30.5"	24" - 34"	24" - 34"	24" - 34"	24" - 34"	28" - 34"
	Recirc Mounting Height*	NA	NA	24" - 26.5"	24" - 32.5"	24" - 34"	24" - 34"	24" - 34"	28" - 34"

\*When ACT™ is enabled the maximum speed levels will change. ACT 390 CFM = 4 speeds and ACT 290 CFM = 3 speeds.

\*\*Mounting height refers to distance between top of a 36" tall cooking surface and bottom of hood.

**ACT™** Airflow Control Technology™ (ACT™) is an exclusive feature built into specific Zephyr hoods which can limit the maximum blower CFM to meet local code requirements.

Specifications subject to change, check zephyronline.com for up-to-date information.  
Zephyr Ventilation | 2277 Harbor Bay Parkway, Alameda, CA 94502 | 888.880.VENT

AUG21.0101

