

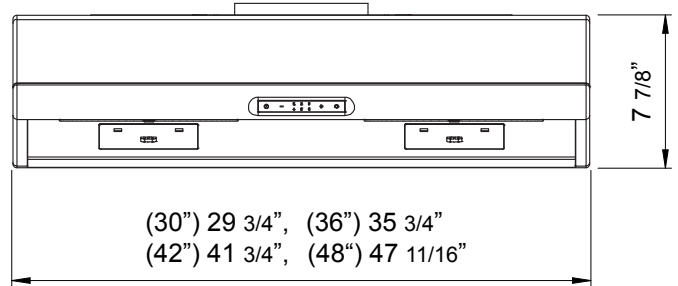
One of our founding models, now with an updated look, we crafted a smooth curvature then upped the volume with powerful, virtually noise-free 850-CFM blowers. A convenient self-cleaning system along with dimmable halo-

gen lights invite you and your guests to a warm respite from the everyday. Available in black, white and stainless steel. Now with Quiet Speed Setting (QSS) and ACT™ technology.

ACT™

Min. - Max. CFM	INTERNAL BLOWER STANDARD	INTERNAL BLOWER with ACT™ AIRFLOW CONTROL TECHNOLOGY™*	
	250 - 850	250 - 390	250 - 290
Min. - Max. Sones	0.9 - 5	0.9 - 2.5	0.9 - 1.5

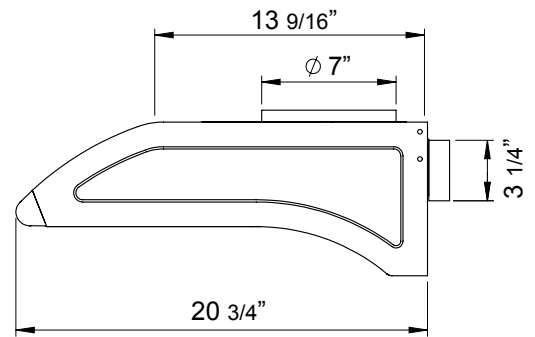
\*AIRFLOW CONTROL TECHNOLOGY™ (ACT™) is an exclusive feature built into specific Zephyr hoods which can limit the maximum blower CFM to meet local code requirements.



Front



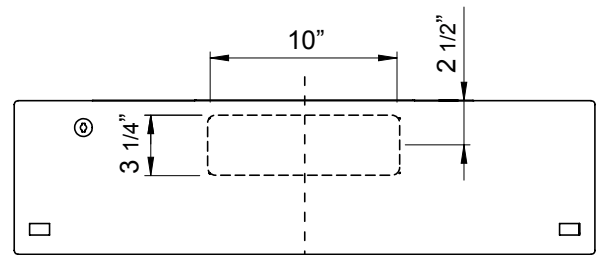
Stainless Steel



Side



Black



C/L

Back



White

MODEL	AK2100BB	AK2136BB		
Black	AK2100BW	AK2136BW		
White	AK2100BS	AK2136BS	AK2142BS	AK2148BS
Stainless Steel				
<b>Size</b>	30" (29-3/4")	36" (35-3/4")	42" (41-3/4")	48" (47-11/16")
<b>Blower CFM (Min. - Max.)</b>	250 - 850	250 - 850	250 - 850	250 - 850
<b>Sones (Min. - Max.)</b>	0.9 - 5	0.9 - 5	0.9 - 5	0.9 - 5
<b>ACT 390 CFM (Min. - Max.)</b>	250 - 390	250 - 390	250 - 390	250 - 390
<b>ACT 390 Sones (Min. - Max.)</b>	0.9 - 2.5	0.9 - 2.5	0.9 - 2.5	0.9 - 2.5
<b>ACT 290 CFM (Min. - Max.)</b>	250 - 290	250 - 290	250 - 290	250 - 290
<b>ACT 290 Sones (Min. - Max.)</b>	0.9 - 1.5	0.9 - 1.5	0.9 - 1.5	0.9 - 1.5
<b>FEATURES</b>				
<b>ACT™ Technology</b>	Yes	Yes	Yes	Yes
<b>Controls</b>	Capacitive Touch	Capacitive Touch	Capacitive Touch	Capacitive Touch
<b>Speed Levels</b>	6*	6*	6*	6*
<b>Quiet Speed Setting (QSS)</b>	Yes	Yes	Yes	Yes
<b>Auto Delay-Off</b>	Yes	Yes	Yes	Yes
<b>Lighting</b>	Halogen, 35W x2	Halogen, 35W x2	Halogen, 35W x2	Halogen, 35W x2
<b>Dual-Level Lighting</b>	Yes	Yes	Yes	Yes
<b>Removable Safety Grilles</b>	2	2	2	2
<b>Recirculating Option</b>	No	No	No	No
<b>Self Cleaning</b>	Yes	Yes	Yes	Yes
<b>DUCT SPECIFICATIONS</b>				
<b>Vertical Internal Blower</b>	7" Round or 3-1/4" x 10"	7" Round or 3-1/4" x 10"	7" Round or 3-1/4" x 10"	7" Round or 3-1/4" x 10"
<b>Horizontal Internal Blower</b>	3-1/4" x 10"	3-1/4" x 10"	3-1/4" x 10"	3-1/4" x 10"
<b>AC POWER</b>	120V, 60Hz at Max. 3A	120V, 60Hz at Max. 3A	120V, 60Hz at Max. 3A	120V, 60Hz at Max. 3A
<b>OPTIONAL ACCESSORIES</b>				
<b>Bloom™ GU10 LED</b>	ZOB0040	ZOB0040	ZOB0040	ZOB0040
<b>Make-Up Air Kit</b>	MUA008A	MUA008A	MUA008A	MUA008A
<b>Damper, 7" Round</b>	AK00067	AK00067	AK00067	AK00067
<b>MOUNTING HEIGHT RANGE**</b>	24" - 32"	24" - 32"	24" - 32"	24" - 32"
<b>WARRANTY</b>	10 years parts, 1 year labor 10 years parts, 1 year labor 10 years parts, 1 year labor 10 years parts, 1 year labor			

\*When ACT is enabled the maximum speed levels will change. ACT 390 CFM = 3 speeds and ACT 290 CFM = 2 speeds.

\*\*Mounting height refers to distance between top of a 36" tall cooking surface and bottom of hood.

**ACT™** AIRFLOW CONTROL TECHNOLOGY™ (ACT™) is an exclusive feature built into specific Zephyr hoods which can limit the maximum blower CFM to meet local code requirements.

Specifications subject to change, check zephyronline.com for up-to-date information.  
Zephyr Ventilation | 2277 Harbor Bay Parkway, Alameda, CA 94502 | 888.880.VENT

NOV19.0101

