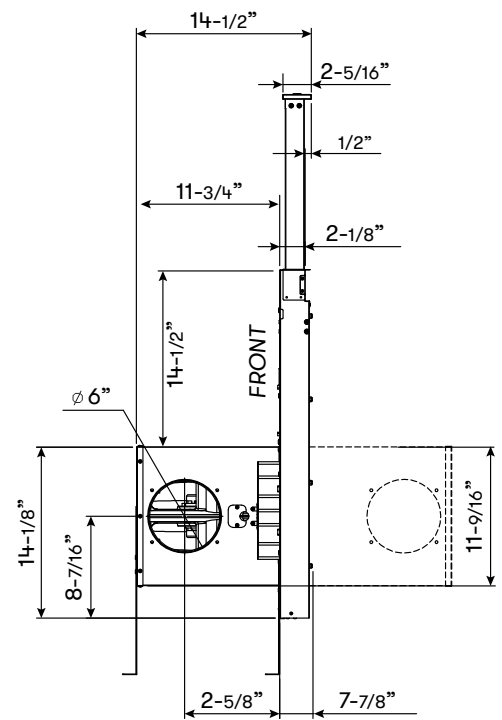
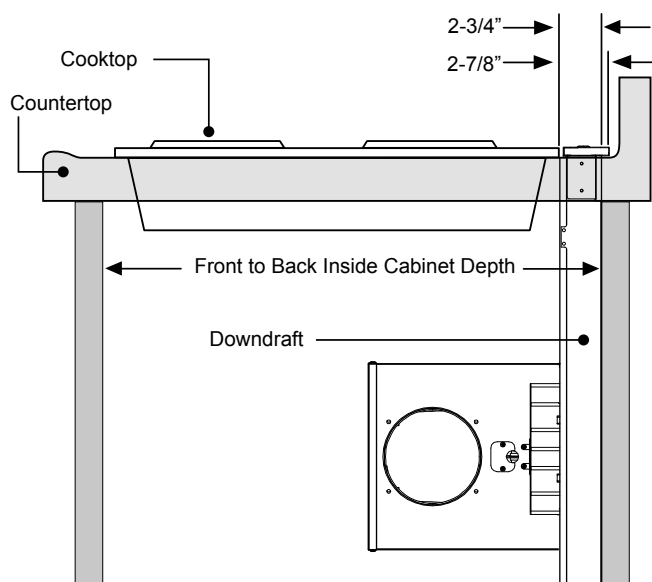


FRONT

CLEARANCE DIMENSIONS



SIDE

MODEL

Stainless Steel	ZTV-E30AS	ZTV-E36AS
Size	30"	36"

BLOWER PERFORMANCE

Blower CFM (Min. - Max.)	200 - 600	200 - 600
Sones (Min. - Max.)	2 - 6	2 - 6
ACT 390 CFM (Min. - Max.)	200 - 390	200 - 390

FEATURES

ACT™ Technology	390	390
Controls	Mechanical Slide	Mechanical Slide
Speed Levels	3*	3*
Auto On/Off**	Yes	Yes
Lighting	No	No
Filters	Stainless Steel Mesh x2	Stainless Steel Mesh x2
14" Chimney Rise	Yes	Yes
Reversible Blower Housing***	Yes	Yes
3-Way Ducting	Yes	Yes
Recirculating Option	Yes	Yes

DUCT SPECIFICATIONS

Left/Right Ducting	6" Round	6" Round
Bottom Ducting	6" Round	6" Round
AC POWER	120V, 60Hz at Max. 3.2A	120V, 60Hz at Max. 3.2A

OPTIONAL ACCESSORIES

Recirculating Kit	ZRC-00TV	ZRC-00TV
ADA-Compliant Up/Down Remote Control	DDA-0003	DDA-0003
Range Trim Kit	DDT-0130	DDT-0136
Make-Up Air Kit	MUA006A	MUA006A

WARRANTY

2 years parts, 1 year labor	2 years parts, 1 year labor
-----------------------------	-----------------------------

COOKING APPLIANCE CONFIGURATIONS

Accommodate multiple cooking appliance combinations thanks to the reversible blower housing.



Cooktop



Cooktop + Oven**



Range Top



Range**

*When ACT™ is enabled the maximum speed levels will change. ACT 390 CFM = 2 speeds.

**Automatically turns on or off when raising or lowering the chimney.

***To achieve a cooktop + oven or range installation, the blower must be relocated to the back of the downdraft. The cabinet depth behind the downdraft must be a minimum of 12".

Specifications subject to change, check zephyronline.com for up-to-date information.
Zephyr Ventilation | 2277 Harbor Bay Parkway, Alameda, CA 94502 | 888.880.VENT

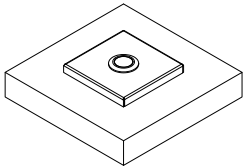
JAN25.0101

OPTIONAL
ACCESSORIES

OPTIONAL ACCESSORY

DESCRIPTION

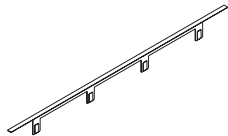
Model DDA-0003

**ADA-Compliant Wired Up/Down
Remote Control**

Use when you cannot reach the UP/DOWN button on the downdraft chimney.

Can be located on counter top, face of cabinetry or on the side cabinet of an island.

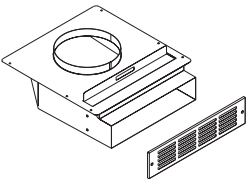
Cannot be used where remote control will interfere with cooking, where hot pans could be set, or where hot liquids could be spilled on the control.

Models
DDT-0130, DDT-0136**Range Trim Kit**

Use with free-standing range - where a gap is present between back of range and downdraft

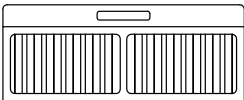
30", 36" widths

Model ZRC-00TV

Non-Duct Recirculating Kit

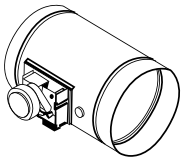
Use where ducting is not feasible or available. Mount to toe kick or base of a cabinet and attach directly to the blower using 6" round duct. Kit can be rotated so that the exhaust is not directly at your feet. Includes recirculating filter and decorative cover plate.

Model Z0F-C006

Replacement Charcoal Filter

Smoke and odors pass through charcoal filters allowing purified air to be reintroduced into the kitchen.

Model MUA006A

Make-Up Air Kit

When range hoods exhaust air out of your home, negative air pressure is created unless the exhausted air is replaced by fresh outdoor air.

Zephyr's Make-Up Air Damper is designed to balance the air pressure in your home by automatically opening to allow fresh air in while the range hood is operating.