

CORE

TORNADO MINI

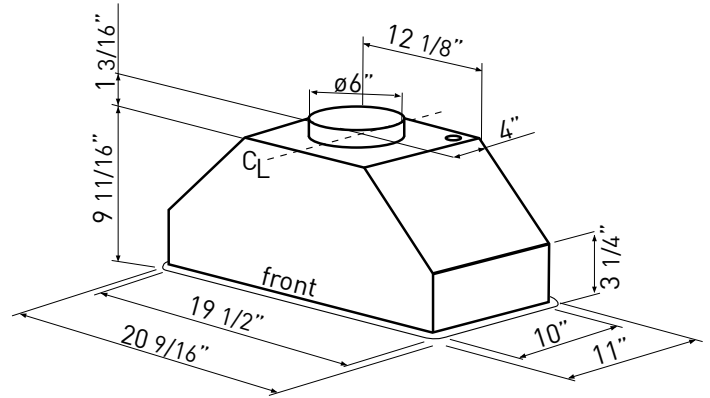
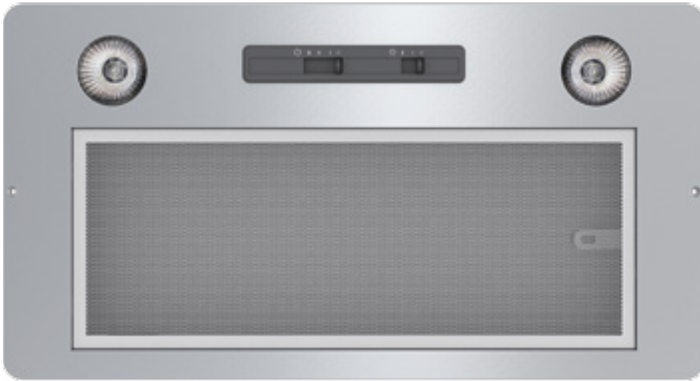
INSERT

The Tornado Mini power pack was designed with cost efficiency and versatility in mind. Tornado Mini's small footprint fits under a standard 12" depth cabinet or choose one of our optional adjustable-depth stainless

steel liners to accommodate custom hood enclosures from 17-1/2" to 20-1/2" deep. Features include dual level halogen lights, an ultra-quiet blower and a recirculating option for ductless installations.

**ZEPHYR**

ZEPHYRONLINE.COM



Cabinet Bottom Cut-Out Size (W x D): 19 3/4" x 10 1/4".



<b>MODEL</b>	
Stainless Steel	AK8400AS
<b>Size</b>	
Blower CFM (Min. - Max.)	20" (20-9/16") 180 - 290
Sones (Min. - Max.)	1.3 - 3.2
<b>FEATURES</b>	
Controls	Mechanical Slide
Speed Levels	3
Auto Delay-Off	No
Lighting	Halogen, 35W x2
Dual-Level Lighting	Yes
Filters	Aluminum Mesh x1
Recirculating Option	Yes
<b>DUCT SPECIFICATIONS</b>	
Vertical Internal Blower	6" Round
Horizontal Internal Blower	NA
AC POWER	120V, 60Hz at Max. 1.2A
<b>OPTIONAL ACCESSORIES</b>	
30" Liner (17-1/2" - 20-1/2" Depth)	AK0840AS
36" Liner (17-1/2" - 20-1/2" Depth)	AK0846AS
Recirculating Kit	ZRC-8400A
Bloom™ GU10 LED	ZOB0040
<b>MOUNTING HEIGHT RANGE**</b>	24" - 36"
<b>WARRANTY</b>	3 years parts, 1 year labor

\*Mounting height refers to distance between top of a 36" tall cooking surface and bottom of hood.