

PRO

TORNADO III

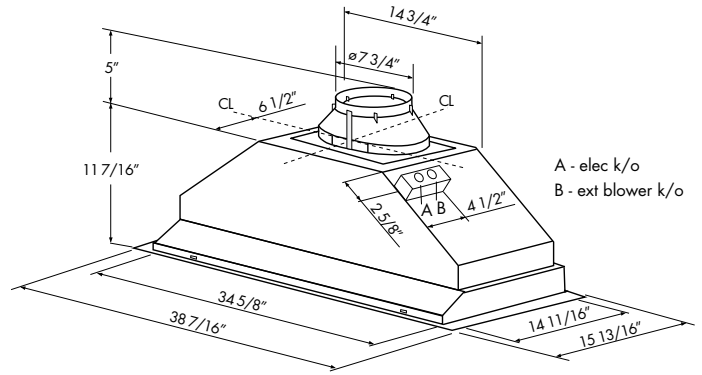
INSERT

Tornado III takes the typical power pack up a notch, with multiple blower options to meet the most demanding chef's requirements. 3-speed electronic controls put you in command of either a 290, 600 or 1,000-CFM blow-

er. Dual-level halogen lights illuminate the surface below; while the stylish wireless remote puts you in command from up to 15 feet away. Optional stainless steel liners are available in 48", 54" and 60" sizes.

**ZEPHYR**

ZEPHYRONLINE.COM



Cabinet Bottom Cut-Out Size (W x D): AK8200AS: 26 1/16" x 14 3/4"; AK8300ASX: 34 11/16" x 14 3/4"



Includes Wireless Remote Control

**MODEL**

Stainless Steel	AK8300ASX
Size	38" (38-7/16")

**PERFORMANCE**

Internal Blower (CBI-290B)*	200 - 290 CFM, 1.4 - 3 sones
Internal Blower (CBI-600B)*	240 - 600 CFM, 1.8 - 6 sones
Dual Internal Blower (PBI-1100A)*	500 - 1000 CFM, 3.5 - 8 sones
In-Line Blower (PBN-1000A)*	500 - 1000 CFM, sones NA
External Blower (CBE-1000)*	500 - 1000 CFM, sones NA

**FEATURES**

Controls	Electronic Touch
Speed Levels	3
Auto Delay-Off	Yes
CleanAir Function	Yes
Lighting	Halogen, 35W x4
Dual-Level Lighting	Yes
Filters	Pro Baffle x3
Wireless Remote Control	Yes
Recirculating Option	No
ADA Compliant	Yes

**DUCT SPECIFICATIONS**

Vertical Single Internal Blower	6" Round
Vertical Dual Internal Blower	Vertical 8" Round
In-Line/External Blower	10" to 8" Round**
Horizontal	NA
AC POWER***	120V, 60Hz at Max. 1.2A

**OPTIONAL ACCESSORIES**

48" Liner (17-5/8" - 20-1/8" Depth)	AK0848BS
48" Liner (20-1/2" - 23-1/2" Depth)	AK0848AS
54" Liner (20-1/2" - 23-1/2" Depth)	AK0854AS
60" Liner (20-1/2" - 23-1/2" Depth)	AK0860AS
Bloom™ GU10 LED	Z0B0040

<b>MOUNTING HEIGHT RANGE†</b>	26" - 36"
-------------------------------	-----------

**WARRANTY**

10 years parts, 1 year labor

\*Blower sold separately.

\*\*10" round duct connects to external and in-line blower. Must transition from 10" to 8" before duct passes through ceiling. A 10" to 8" adapter is included with external and in-line blowers.

\*\*\*Power pack with lights only.

†Mounting height refers to distance between top of a 36" tall cooking surface and bottom of hood.