

Titan challenges the definition of pro-style hoods with its impressive size, powerful blower, and stunning good looks. Featuring Zephyr's new PowerWave™ blower technology, Titan features a 750-CFM blower with the option to combine two blowers

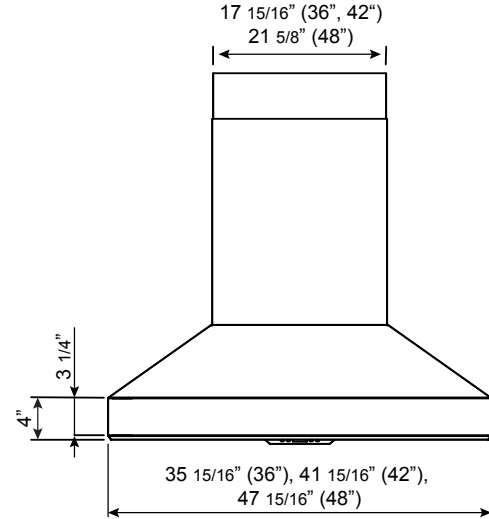
together to achieve 1,300 CFM. Its unique aerodynamic blades improve efficiency with unparalleled quiet operation. Titan features pro baffle filters, Airflow Control Technology™ (ACT™), and Bloom™ GU10 LED lighting.



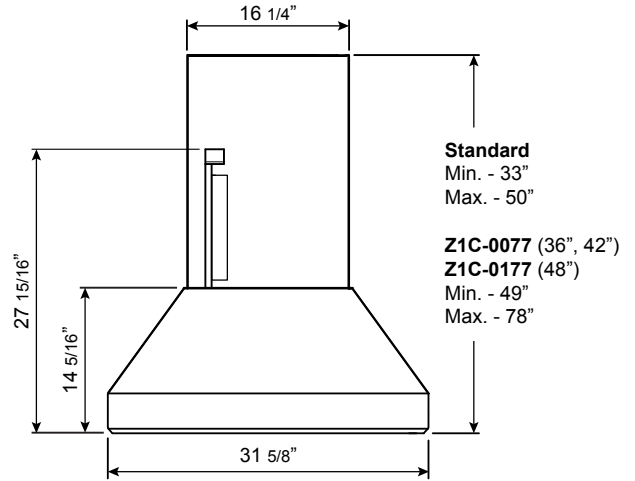
	INTERNAL BLOWER STANDARD	INTERNAL BLOWER with ACT™ AIRFLOW CONTROL TECHNOLOGY™*		
SINGLE BLOWER (INCLUDED) Min. - Max. CFM	200 - 750	200 - 590	200 - 390	200 - 290
SINGLE BLOWER (INCLUDED) Min. - Max. Sones	0.5 - 7	0.5 - 5.5	0.5 - 2.5	0.5 - 1
DUAL BLOWER (OPTIONAL) Min. - Max. CFM	350 - 1,300	*AIRFLOW CONTROL TECHNOLOGY™ (ACT™) is an exclusive feature built into specific Zephyr hoods which can limit the maximum blower CFM to meet local code requirements.		
DUAL BLOWER (OPTIONAL) Min. - Max. Sones	1 - 8			



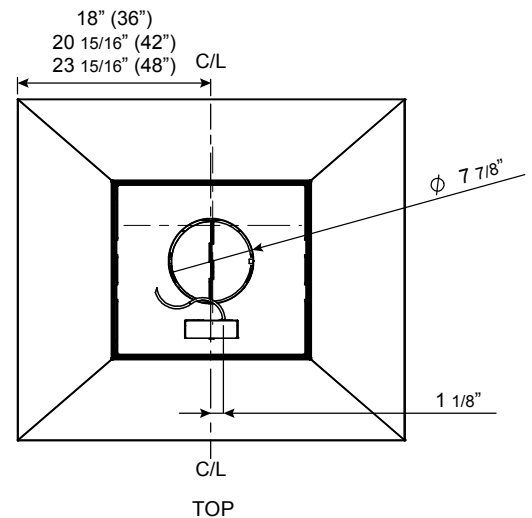
Optional Wireless Remote Control



FRONT



SIDE



MODEL	AK7736AS	AK7742AS	AK7748AS						
Stainless Steel									
Size	36"	42"	48"						
Included Single Blower	200-750 CFM, 0.5-7 Sones	200-750 CFM, 0.5-7 Sones	200-750 CFM, 0.5-7 Sones						
ACT 590*	200-590 CFM, 0.5-5.5 Sones	200-590 CFM, 0.5-5.5 Sones	200-590 CFM, 0.5-5.5 Sones						
ACT 390*	200-390 CFM, 0.5-2.5 Sones	200-390 CFM, 0.5-2.5 Sones	200-390 CFM, 0.5-2.5 Sones						
ACT 290*	200-290 CFM, 0.5-1 Sones	200-290 CFM, 0.5-1 Sones	200-290 CFM, 0.5-1 Sones						
Optional Dual Blower	350-1,300 CFM, 1-8 Sones	350-1,300 CFM, 1-8 Sones	350-1,300 CFM, 1-8 Sones						
FEATURES									
ACT™ Technology	Yes	Yes	Yes						
Controls	Electronic LCD	Electronic LCD	Electronic LCD						
Speed Levels	6**	6**	6**						
Auto Delay-Off	Yes	Yes	Yes						
CleanAir Function	Yes	Yes	Yes						
Directional Lighting	Bloom™ GU10 LED, 6W x2	Bloom™ GU10 LED, 6W x2	Bloom™ GU10 LED, 6W x4						
Dual-Level Lighting	Yes	Yes	Yes						
Filters	Pro Baffle x4	Pro Baffle x4	Pro Baffle x6						
Grease Collection Tray	Yes	Yes	Yes						
Wireless Remote Control	Yes, Optional	Yes, Optional	Yes, Optional						
Recirculating Option	No	No	No						
Duct Cover Extension Option	Yes	Yes	Yes						
ADA Compliant	Yes (w/ remote accessory)	Yes (w/ remote accessory)	Yes (w/ remote accessory)						
DUCT SPECIFICATIONS									
Vertical Single Internal Blower	8" Round	8" Round	8" Round						
Horizontal Single Internal Blower	NA	NA	NA						
Vertical Dual Internal Blower	10" Round	10" Round	10" Round						
Horizontal Dual Internal Blower	NA	NA	NA						
AC POWER (Single Blower)	120V, 60Hz at Max. 5A	120V, 60Hz at Max. 5A	120V, 60Hz at Max. 5A						
AC POWER (Dual Blower)	120V, 60Hz at Max. 8A	120V, 60Hz at Max. 8A	120V, 60Hz at Max. 8A						
OPTIONAL ACCESSORIES									
Wireless Remote Control	14000005	14000005	14000005						
Dual Internal Blower	PBD-1300A	PBD-1300A	PBD-1300A						
Duct Cover Extension	Z1C-0077	Z1C-0077	Z1C-0177						
Make-Up Air Kit (Single Blower)	MUA008A	MUA008A	MUA008A						
Make-Up Air Kit (Dual Blower)	MUA010A	MUA010A	MUA010A						
MOUNTING HEIGHT RANGE***	24" - 36"	24" - 36"	24" - 36"						
WARRANTY	3 years parts, 1 year labor	3 years parts, 1 year labor	3 years parts, 1 year labor						
CEILING HEIGHT	8'	8.5'	9'	9.5'	10'	10.5'	11'	12'	
STANDARD DUCT COVER	Ducted Mounting Height***	24" - 27"	24" - 33"	24" - 36"	28" - 36"	34" - 36"	NA	NA	NA
DUCT COVER EXTENSION	Ducted Mounting Height***	NA	NA	NA	24" - 29"	24" - 35"	24" - 36"	24" - 36"	30" - 36"

*ACT™ only available with single internal blower.

**When ACT™ is enabled the number of fan speeds will be reduced to maximum 3 speeds.

***Mounting height refers to distance between top of a 36" tall cooking surface and bottom of hood.

ACT™ AIRFLOW CONTROL TECHNOLOGY™ (ACT™) is an exclusive feature built into specific Zephyr hoods which can limit the maximum blower CFM to meet local code requirements.

POWERWAVE™

PowerWave™ 3-Phase Blower Technology delivers best-in-class performance with unparalleled quiet operation. It provides more power while minimizing noise and improving efficiency. Plus, its 1,300 CFM blower option makes it the most powerful dual-internal blower on the market.

Specifications subject to change, check zephyronline.com for up-to-date information.
Zephyr Ventilation | 2277 Harbor Bay Parkway, Alameda, CA 94502 | 888.880.VENT

APR20.0301

