

Titan challenges the definition of pro-style hoods with its impressive size, powerful blower, and stunning good looks. Featuring Zephyr's new PowerWave™ technology, Titan features a 750-CFM blower with the option to combine two blowers together to

achieve 1,300 CFM. Its unique aerodynamic blades improve efficiency with unparalleled quiet operation. The ultimate workhorse in the kitchen, Titan is available up to 60-inches and features pro baffle filters and LED lighting.



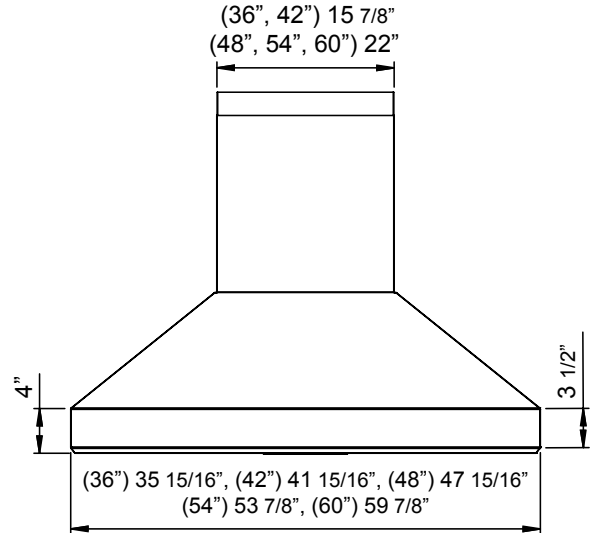
ZEPHYRONLINE.COM



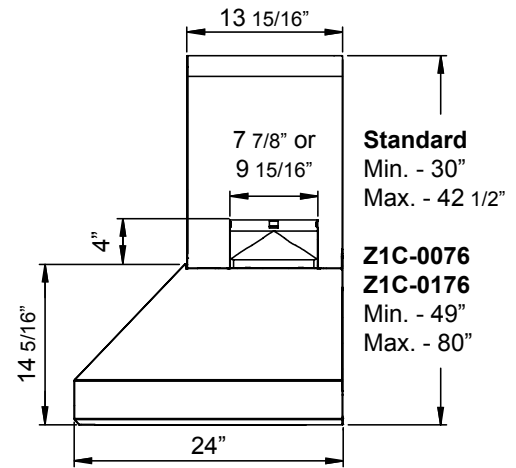
	INTERNAL BLOWER STANDARD	INTERNAL BLOWER with ACT™ AIRFLOW CONTROL TECHNOLOGY™*		
		200 - 590	200 - 390	200 - 290
SINGLE BLOWER (INCLUDED) Min. - Max. CFM	200 - 750	200 - 590	200 - 390	200 - 290
SINGLE BLOWER (INCLUDED) Min. - Max. Sones	0.5 - 7	0.5 - 5.5	0.5 - 2.5	0.5 - 1
DUAL BLOWER (OPTIONAL) Min. - Max. CFM	350 - 1,300	*AIRFLOW CONTROL TECHNOLOGY™ (ACT™) is an exclusive feature built into specific Zephyr hoods which can limit the maximum blower CFM to meet local code requirements.		
DUAL BLOWER (OPTIONAL) Min. - Max. Sones	1 - 8			



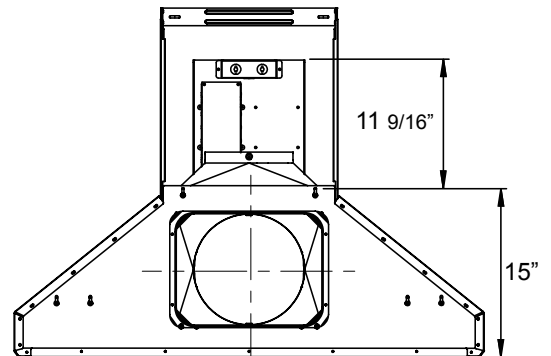
Optional Wireless Remote Control



FRONT



SIDE



BACK

MODEL		AK7636AS/AK7642AS		AK7648AS/AK7654AS/AK7660AS					
Stainless Steel									
Size		36"/42"		48"/54"/60"					
Included Single Blower		200-750 CFM, 0.5-7 Sones		200-750 CFM, 0.5-7 Sones					
ACT 590*		200-590 CFM, 0.5-5.5 Sones		200-590 CFM, 0.5-5.5 Sones					
ACT 390*		200-390 CFM, 0.5-2.5 Sones		200-390 CFM, 0.5-2.5 Sones					
ACT 290*		200-290 CFM, 0.5-1 Sones		200-290 CFM, 0.5-1 Sones					
Optional Dual Blower		350-1,300 CFM, 1-8 Sones		350-1,300 CFM, 1-8 Sones					
FEATURES									
ACT™ Technology		Yes		Yes					
Controls		Electronic LCD		Electronic LCD					
Speed Levels		6**		6**					
Auto Delay-Off		Yes		Yes					
CleanAir Function		Yes		Yes					
Directional Lighting		Bloom™ GU10 LED, 6W x2		Bloom™ GU10 LED, 6W x4					
Dual-Level Lighting		Yes		Yes					
Filters		Pro Baffle x2		Pro Baffle x3					
Grease Collection Tray		Yes		Yes					
Wireless Remote Control		Yes, Optional		Yes, Optional					
Recirculating Option		No		No					
Duct Cover Extension Option		Yes		Yes					
ADA Compliant		Yes (w/ remote accessory)		Yes (w/ remote accessory)					
DUCT SPECIFICATIONS									
Vertical Single Internal Blower		8" Round		8" Round					
Horizontal Single Internal Blower		8" Round		8" Round					
Vertical Dual Internal Blower		10" Round		10" Round					
Horizontal Dual Internal Blower		10" Round		10" Round					
AC POWER (Single Blower)		120V, 60Hz at Max. 5A		120V, 60Hz at Max. 5A					
AC POWER (Dual Blower)		120V, 60Hz at Max. 8A		120V, 60Hz at Max. 8A					
OPTIONAL ACCESSORIES									
Wireless Remote Control		14000005		14000005					
Dual Internal Blower		PBD-1300A		PBD-1300A					
Duct Cover Extension		Z1C-0076		Z1C-0176					
Make-Up Air Kit (Single Blower)		MUA008A		MUA008A					
Make-Up Air Kit (Dual Blower)		MUA010A		MUA010A					
MOUNTING HEIGHT RANGE***		24" - 36"		24" - 36"					
WARRANTY		3 years parts, 1 year labor		3 years parts, 1 year labor					
CEILING HEIGHT		8'	8.5'	9'	9.5'	10'	10.5'	11'	12'
STANDARD DUCT COVER	Ducted Mounting Height***	24" - 30.5"	24" - 36"	29.5" - 36"	35.5" - 36"	NA	NA	NA	NA
DUCT COVER EXTENSION	Ducted Mounting Height***	NA	NA	NA	24" - 29.5"	24" - 35.5"	24" - 36"	24" - 36"	27.5" - 36"

*ACT™ only available with single internal blower.

**When ACT™ is enabled the number of fan speeds will be reduced to maximum 3 speeds.

***Mounting height refers to distance between top of a 36" tall cooking surface and bottom of hood.

ACT™ AIRFLOW CONTROL TECHNOLOGY™ (ACT™) is an exclusive feature built into specific Zephyr hoods which can limit the maximum blower CFM to meet local code requirements.

POWERWAVE™

PowerWave™ 3-Phase Blower Technology delivers best-in-class performance with unparalleled quiet operation. It provides more power while minimizing noise and improving efficiency. Plus, its 1,300 CFM blower option makes it the most powerful dual-internal blower on the market.

Specifications subject to change, check zephyronline.com for up-to-date information.
Zephyr Ventilation | 2277 Harbor Bay Parkway, Alameda, CA 94502 | 888.880.VENT

APR20.0301

