

PRO

SPRUCE

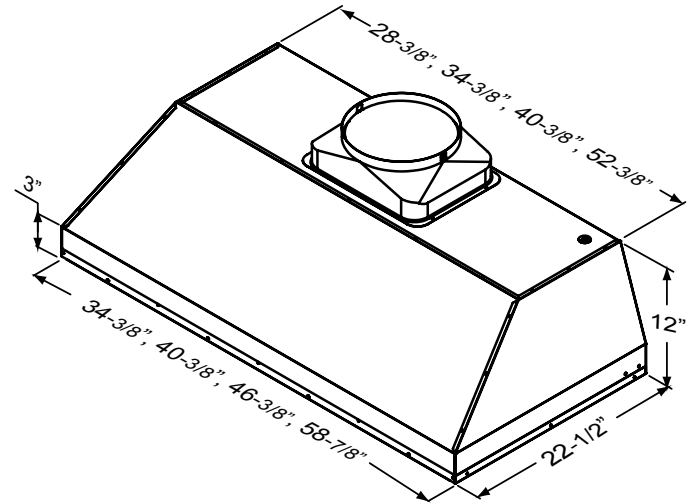
OUTDOOR INSERT

The Spruce outdoor insert is a one-piece liner that can be installed in wall or island applications. Spruce includes corrosion-resistant 304-grade stainless steel and powerful 1,200 CFM internal blowers to handle the

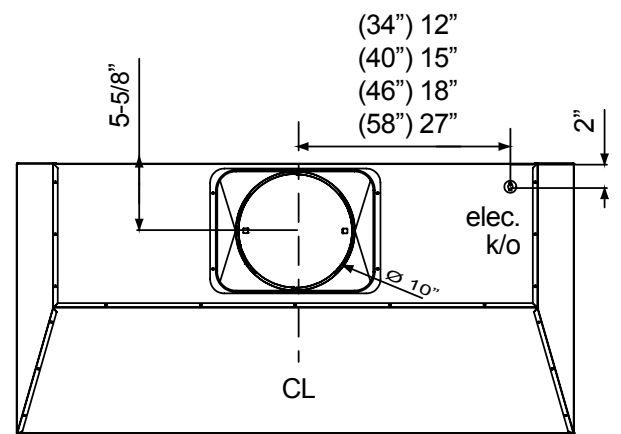
most intense grilling. Featuring three-speed metallic knob controls and directional halogen lighting with pro baffle filters that enhance airflow.

ZEPHYR

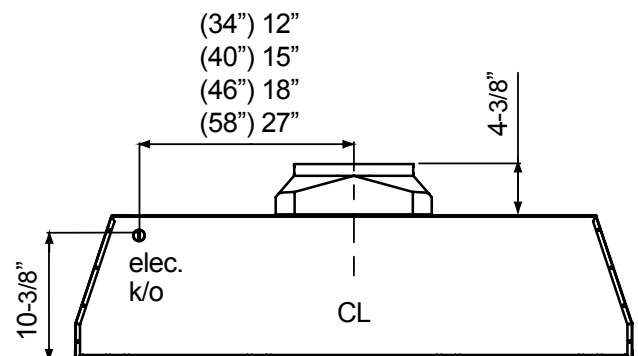
ZEPHYRONLINE.COM



FRONT



TOP



BACK

MODEL	AK9834AS	AK9840AS	AK9846AS	AK9858AS
Stainless Steel				
Size	36" (34-3/8" x 22-1/2")	42" (40-3/8" x 22-1/2")	48" (46-3/8" x 22-1/2")	60" (58-7/8" x 22-1/2")
Blower CFM (Min. - Max.)	450 - 1,200	450 - 1,200	450 - 1,200	450 - 1,200
Sones (Min. - Max.)	3.5 - 9	3.5 - 9	3.5 - 9	3.5 - 9
FEATURES				
Controls	Metallic Knob	Metallic Knob	Metallic Knob	Metallic Knob
Speed Levels	3	3	3	3
Directional Lighting	Halogen, 35W x4	Halogen, 35W x4	Halogen, 35W x4	Halogen, 35W x4
Dual-Level Lighting	Yes	Yes	Yes	Yes
Filters	Pro Baffle x2	Pro Baffle x2	Pro Baffle x3	Pro Baffle x3
Recirculating Option	No	No	No	No
High Quality Stainless Steel	304S	304S	304S	304S
Removable Grease Tray	Yes	Yes	Yes	Yes
DUCT SPECIFICATIONS				
Vertical Internal Blower	10" Round	10" Round	10" Round	10" Round
Horizontal Internal Blower	NA	NA	NA	NA
AC POWER	120V, 60Hz at Max. 6.5A	120V, 60Hz at Max. 6.5A	120V, 60Hz at Max. 6.5A	120V, 60Hz at Max. 6.5A
OPTIONAL ACCESSORIES				
Bloom™ GU10 LED	ZOB0040	ZOB0040	ZOB0040	ZOB0040
MOUNTING HEIGHT RANGE*	30" - 36"	30" - 36"	30" - 36"	30" - 36"
WARRANTY	3 years parts, 1 year labor	3 years parts, 1 year labor	3 years parts, 1 year labor	3 years parts, 1 year labor

*Mounting height refers to distance between top of a 36" tall cooking surface and bottom of hood.