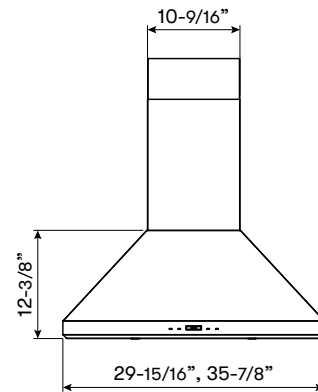
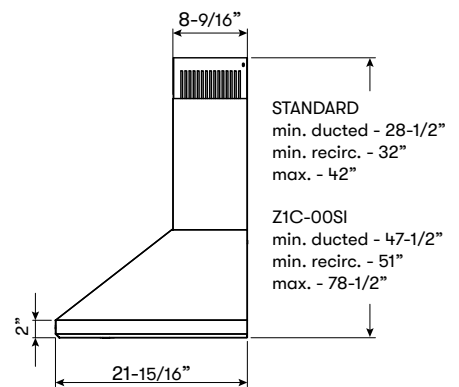


ACT™

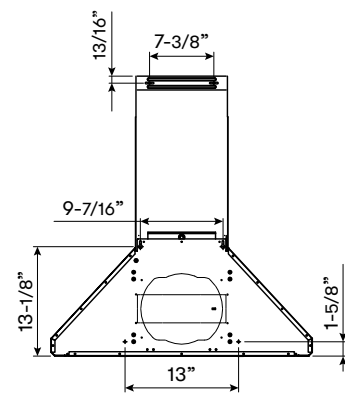
	INTERNAL BLOWER STANDARD	INTERNAL BLOWER with ACT™ AIRFLOW CONTROL TECHNOLOGY™*	
Min. - Max. CFM	200 - 650	200 - 390	200 - 290
Min. - Max. Sones	1 - 6	*AIRFLOW CONTROL TECHNOLOGY™ (ACT™) is an exclusive feature built into specific Zephyr hoods which can limit the maximum blower CFM to meet local code requirements.	



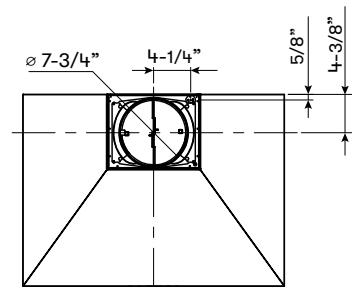
FRONT



SIDE



BACK



C/L

TOP

MODEL

Stainless Steel	ZSI-E30DS	ZSI-E36DS
Size	30"	36"

BLOWER PERFORMANCE

Blower CFM (Min. - Max.)	200 - 650	200 - 650
Sones (Min. - Max.)	1 - 6	1 - 6
ACT 390 CFM (Min. - Max.)	200 - 390	200 - 390
ACT 290 CFM (Min. - Max.)	200 - 290	200 - 290

FEATURES

ACT™ Technology	390, 290	390, 290
Controls	ICON Touch® LCD	ICON Touch® LCD
Speed Levels	5*	5*
Auto Delay-Off	Yes	Yes
Lighting	LumiLight LED with TruHue™, 6W x2	LumiLight LED with TruHue™, 6W x2
Dual-Level Lighting	Yes	Yes
TruHue™	Yes	Yes
Filters	Hybrid Baffle x2	Hybrid Baffle x2
Recirculating Option	Yes	Yes
Extension Duct Cover Option	Yes, Up to 12' Ceiling	Yes, Up to 12' Ceiling
ADA Compliant	Yes, w/ remote accessory	Yes, w/ remote accessory

DUCT SPECIFICATIONS

Vertical Internal Blower	8" Round	8" Round
Horizontal Internal Blower	8" Round or 3-1/4 x 10"	8" Round or 3-1/4 x 10"
AC POWER	120V, 60Hz at Max. 4A	120V, 60Hz at Max. 4A

OPTIONAL ACCESSORIES

Wireless Remote Control Kit	RC-0002	RC-0002
Recirculating Kit	ZRC-00SI	ZRC-00SI
Extension Duct Cover	Z1C-00SI	Z1C-00SI
Stainless Steel Telescopic Backsplash	AK1710	AK1716
Make-Up Air Kit	MUA008A	MUA008A

MOUNTING HEIGHT RANGE***	24" - 34"	24" - 34"
--------------------------	-----------	-----------

WARRANTY	3 years parts, 1 year labor	3 years parts, 1 year labor
----------	-----------------------------	-----------------------------

CEILING HEIGHT		8'	8.5'	9'	9.5'	10'	10.5'	11'	12'
STANDARD DUCT COVER	Ducted Mounting Height**	24" - 32.5"	24" - 34"	30" - 34"	NA	NA	NA	NA	NA
	Recirc Mounting Height**	24" - 28"	24" - 34"	30" - 34"	NA	NA	NA	NA	NA
EXTENSION DUCT COVER	Ducted Mounting Height**	NA	NA	NA	24" - 32"	24" - 34"	24" - 34"	24" - 34"	29" - 34"
	Recirc Mounting Height**	NA	NA	NA	24" - 27.5"	24" - 33.5"	24" - 34"	24" - 34"	29" - 34"

*When ACT™ is enabled the maximum speed levels will change. ACT 390 CFM = 4 speeds and ACT 290 CFM = 3 speeds.

**Mounting height refers to distance between top of a 36" tall cooking surface and bottom of hood.



TruHue™

A bright idea: customize your hood's light to harmonize with the rest of your kitchen's lighting at the touch of a button—from 2700K, 3000K, 3500K, 4000K to 5000K.



Airflow Control Technology™ (ACT™)

is an exclusive feature built into specific Zephyr hoods which can limit the maximum blower CFM to meet local code requirements.