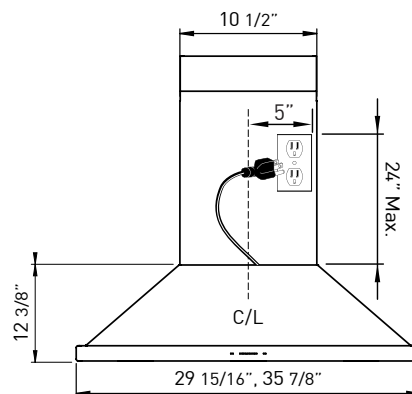
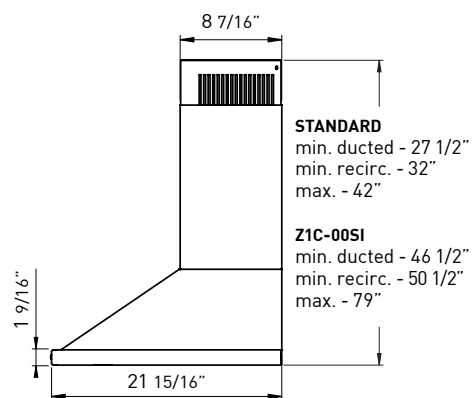


ACT™

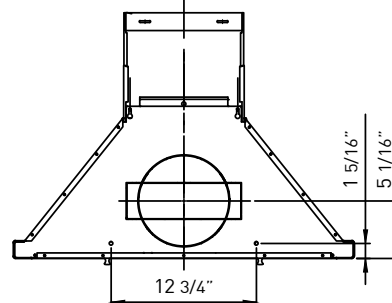
	INTERNAL BLOWER STANDARD	INTERNAL BLOWER with ACT™ AIRFLOW CONTROL TECHNOLOGY™*	
Min. - Max. CFM	200 - 650	200 - 390	200 - 290
Min. - Max. Sones	1 - 6	*AIRFLOW CONTROL TECHNOLOGY™ (ACT™) is an exclusive feature built into specific Zephyr hoods which can limit the maximum blower CFM to meet local code requirements.	



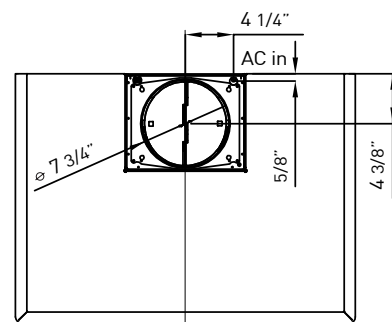
FRONT



SIDE



BACK



C/L

TOP

MODEL		
Stainless Steel	ZSI-E30CS	ZSI-E36CS
Size	30"	36"
BLOWER PERFORMANCE		
Blower CFM (Min. - Max.)	200 - 650	200 - 650
Sones (Min. - Max.)	1 - 6	1 - 6
ACT 390 CFM (Min. - Max.)	200 - 390	200 - 390
ACT 290 CFM (Min. - Max.)	200 - 290	200 - 290
FEATURES		
ACT™ Technology	390, 290	390, 290
Controls	ICON Touch®	ICON Touch®
Speed Levels	5*	5*
Auto Delay-Off	Yes	Yes
Lighting	LumiLight LED, 6W x2	LumiLight LED, 6W x2
Dual-Level Lighting	Yes	Yes
Filters	Hybrid Baffle x2	Hybrid Baffle x2
Recirculating Option	Yes	Yes
Extension Duct Cover Option	Yes, Up to 12' Ceiling	Yes, Up to 12' Ceiling
ADA Compliant	Yes, w/ remote accessory	Yes, w/ remote accessory
DUCT SPECIFICATIONS		
Vertical Internal Blower	8" Round	8" Round
Horizontal Internal Blower	8" Round or 3-1/4 x 10"	8" Round or 3-1/4 x 10"
AC POWER	120V, 60Hz at Max. 4A	120V, 60Hz at Max. 4A
OPTIONAL ACCESSORIES		
Wireless Remote Control Kit	RC-0002	RC-0002
Recirculating Kit	ZRC-00SI	ZRC-00SI
Extension Duct Cover	Z1C-00SI	Z1C-00SI
Stainless Steel Telescopic Backsplash	AK1710	AK1716
Make-Up Air Kit	MUA008A	MUA008A
MOUNTING HEIGHT RANGE**	24" - 34"	24" - 34"
WARRANTY	3 years parts, 1 year labor	3 years parts, 1 year labor

CEILING HEIGHT		8'	8.5'	9'	9.5'	10'	10.5'	11'	12'
STANDARD DUCT COVER	Ducted Mounting Height**	24" - 32.5"	24" - 34"	30" - 34"	NA	NA	NA	NA	NA
	Recirc Mounting Height**	24" - 28"	24" - 34"	30" - 34"	NA	NA	NA	NA	NA
EXTENSION DUCT COVER	Ducted Mounting Height**	NA	NA	NA	24" - 32"	24" - 34"	24" - 34"	24" - 34"	29" - 34"
	Recirc Mounting Height**	NA	NA	NA	24" - 27.5"	24" - 33.5"	24" - 34"	24" - 34"	29" - 34"

*When ACT™ is enabled the maximum speed levels will change. ACT 390 CFM = 4 speeds and ACT 290 CFM = 3 speeds.

**Mounting height refers to distance between top of a 36" tall cooking surface and bottom of hood.

ACT™ - Airflow Control Technology™ (ACT™)
is an exclusive feature built into specific Zephyr hoods which can limit the maximum blower CFM to meet local code requirements.

Specifications subject to change, check zephyronline.com for up-to-date information.
Zephyr Ventilation | 2277 Harbor Bay Parkway, Alameda, CA 94502 | 888.880.VENT

FEB23.0101

