

PRO

ROMA PRO

WALL

The Roma Pro redefines the meaning of pro-style hood with its remarkable size, powerful blower, and contemporary shape. Featuring Zephyr's new PowerWave™ blower technology, Roma Pro boasts a 750-CFM blower with the option to combine two blow-

ers together to achieve 1,300 CFM. Its unique aerodynamic blades improve efficiency with unparalleled quiet operation. Roma Pro also features Bloom™ GU10 LED lighting, pro baffle filters, and Airflow Control Technology™ (ACT™).

**ZEPHYR**

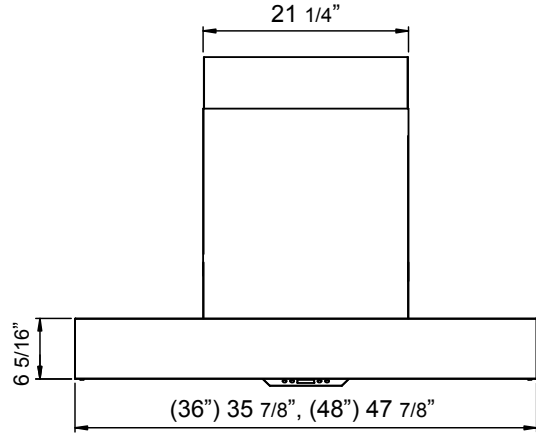
ZEPHYRONLINE.COM

**ACT™** **POWERWAVE™**

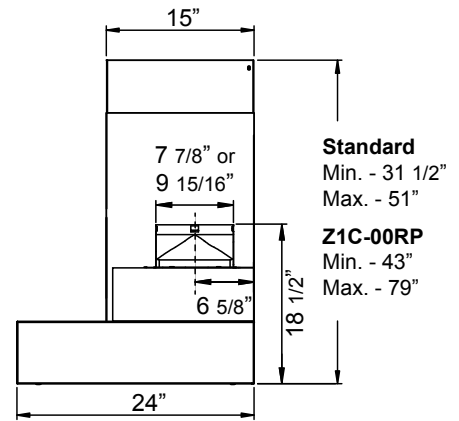
	INTERNAL BLOWER STANDARD	INTERNAL BLOWER with ACT™ AIRFLOW CONTROL TECHNOLOGY™*		
		200 - 590	200 - 390	200 - 290
SINGLE BLOWER (INCLUDED) <b>Min. - Max. CFM</b>	200 - 750	200 - 590	200 - 390	200 - 290
SINGLE BLOWER (INCLUDED) <b>Min. - Max. Sones</b>	0.5 - 7	0.5 - 5.5	0.5 - 2.5	0.5 - 1
DUAL BLOWER (OPTIONAL) <b>Min. - Max. CFM</b>	350 - 1,300	*AIRFLOW CONTROL TECHNOLOGY™ (ACT™) is an exclusive feature built into specific Zephyr hoods which can limit the maximum blower CFM to meet local code requirements.		
DUAL BLOWER (OPTIONAL) <b>Min. - Max. Sones</b>	1 - 8			



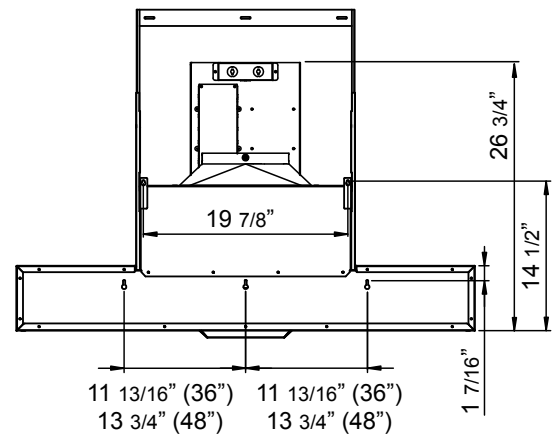
Optional Wireless Remote Control



FRONT



SIDE



BACK

**Standard**  
Min. - 31 1/2"  
Max. - 51"

**Z1C-00RP**  
Min. - 43"  
Max. - 79"

MODEL		ZRP-E36AS	ZRP-E48AS						
Stainless Steel									
Size	36"	48"							
<b>BLOWER PERFORMANCE</b>									
Included Single Blower	200-750 CFM, 0.5-7 Sones	200-750 CFM, 0.5-7 Sones							
ACT 590*	200-590 CFM, 0.5-5.5 Sones	200-590 CFM, 0.5-5.5 Sones							
ACT 390*	200-390 CFM, 0.5-2.5 Sones	200-390 CFM, 0.5-2.5 Sones							
ACT 290*	200-290 CFM, 0.5-1 Sones	200-290 CFM, 0.5-1 Sones							
Optional Dual Blower	350-1,300 CFM, 1-8 Sones	350-1,300 CFM, 1-8 Sones							
<b>FEATURES</b>									
ACT™ Technology	590, 390, 290, Single Blower Only	590, 390, 290, Single Blower Only							
Controls	Electronic LCD	Electronic LCD							
Speed Levels	6**	6**							
Auto Delay-Off	Yes	Yes							
CleanAir Function	Yes	Yes							
Directional Lighting	Bloom™ GU10 LED, 6W x2	Bloom™ GU10 LED, 6W x4							
Dual-Level Lighting	Yes	Yes							
Filters	Pro Baffle x2	Pro Baffle x3							
Grease Collection Tray	Yes	Yes							
Wireless Remote Control	Yes, Optional	Yes, Optional							
Recirculating Option	No	No							
Duct Cover Extension Option	Yes	Yes							
ADA Compliant	Yes (w/ remote accessory)	Yes (w/ remote accessory)							
<b>DUCT SPECIFICATIONS</b>									
Vertical Single Internal Blower	8" Round	8" Round							
Horizontal Single Internal Blower	NA	NA							
Vertical Dual Internal Blower	10" Round	10" Round							
Horizontal Dual Internal Blower	NA	NA							
AC POWER (Single Blower)	120V, 60Hz at Max. 5A	120V, 60Hz at Max. 5A							
AC POWER (Dual Blower)	120V, 60Hz at Max. 8A	120V, 60Hz at Max. 8A							
<b>OPTIONAL ACCESSORIES</b>									
Wireless Remote Control	14000005	14000005							
Dual Internal Blower	PBD-1300A	PBD-1300A							
Duct Cover Extension	Z1C-00RP	Z1C-00RP							
Stainless Steel Telescopic Backsplash	AK1716	AK1718							
Make-Up Air Kit (Single Blower)	MUA008A	MUA008A							
Make-Up Air Kit (Dual Blower)	MUA010A	MUA010A							
MOUNTING HEIGHT RANGE***	24" - 36"	24" - 36"							
WARRANTY	3 years parts, 1 year labor		3 years parts, 1 year labor						
CEILING HEIGHT	8'	8.5'	9'	9.5'	10'	10.5'	11'	12'	
STANDARD DUCT COVER	Ducted Mounting Height***	24" - 28.5"	24" - 34.5"	24" - 36"	27" - 36"	33" - 36"	NA	NA	NA
DUCT COVER EXTENSION	Ducted Mounting Height***	NA	NA	24" - 29"	24" - 35"	24" - 36"	24" - 36"	24" - 36"	29" - 36"

\*ACT™ only available with single internal blower.

\*\*When ACT™ is enabled the number of fan speeds will be reduced to maximum 3 speeds.

\*\*\*Mounting height refers to distance between top of a 36" tall cooking surface and bottom of hood.

**ACT™ Airflow Control Technology™ (ACT™)**  
is an exclusive feature built into specific Zephyr hoods which can limit the maximum blower CFM to meet local code requirements.

**POWERWAVE™**

**PowerWave™ 3-Phase Blower Technology**  
delivers best-in-class performance with unparalleled quiet operation. It provides more power while minimizing noise and improving efficiency. Plus, its 1,300 CFM blower option makes it the most powerful dual-internal blower on the market.

Specifications subject to change, check zephyronline.com for up-to-date information.  
Zephyr Ventilation | 2277 Harbor Bay Parkway, Alameda, CA 94502 | 888.880.VENT

AUG21.0101

