

CORE

NAPOLI

ISLAND

Strong and sophisticated with upwardly-angled walls, Napoli makes an impression in any kitchen. Upgraded with Zephyr's DCBL Suppression System® and Bloom™ HD LED light bulbs, Napoli is a technological achievement

and a cut above the rest. Now including an enhanced Quick-Lock installation system with magnetic duct covers, Napoli is as easy to install as it is to enjoy. Now available with an optional wireless remote control.

ZEPHYR

ZEPHYRONLINE.COM

DCBL
SUPPRESSION SYSTEM®

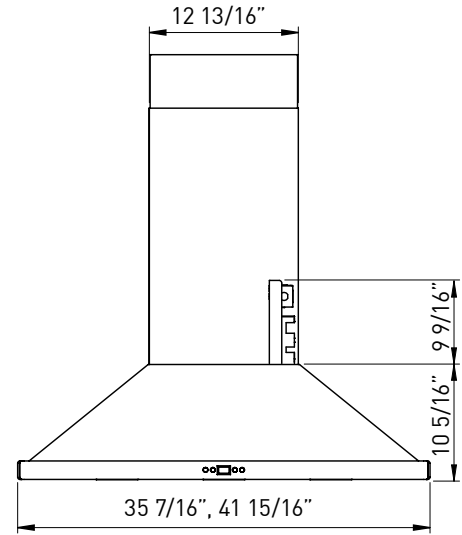
ACT™

Min. - Max. CFM	INTERNAL BLOWER STANDARD	INTERNAL BLOWER with ACT™ AIRFLOW CONTROL TECHNOLOGY™*		
	250 - 715	250 - 590	250 - 390	250 - 290
Min. - Max. Sones	0.8 - 5.8	0.8 - 4.5	0.8 - 3	0.8 - 1.2

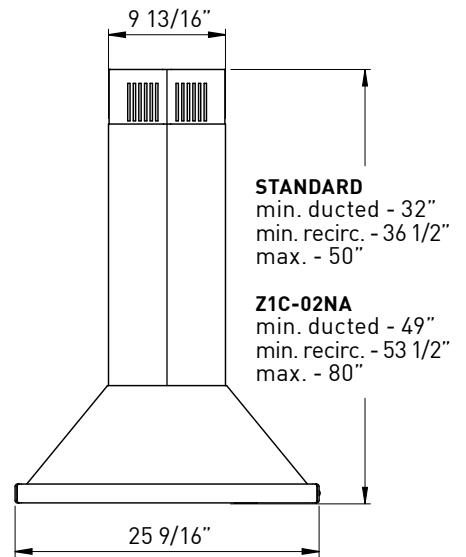
*AIRFLOW CONTROL TECHNOLOGY™ (ACT™) is an exclusive feature built into specific Zephyr hoods which can limit the maximum blower CFM to meet local code requirements.



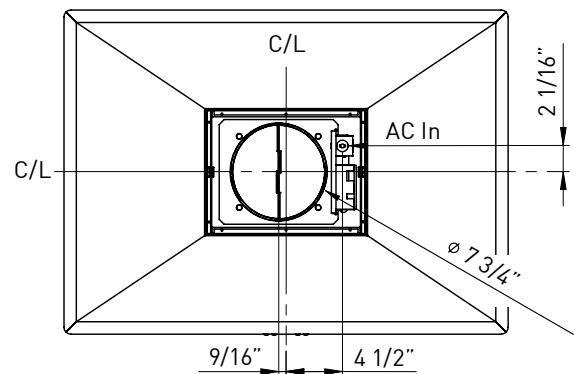
Optional Wireless Remote Control



FRONT



SIDE



TOP

MODEL	ZNA-M90CS	ZNA-E42CS							
Stainless Steel									
Size	36"	42"							
Blower CFM (Min. - Max.)	250 - 715	250 - 715							
Sones (Min. - Max.)	0.8 - 5.8	0.8 - 5.8							
ACT 590 CFM (Min. - Max.)	250 - 590	250 - 590							
ACT 590 Sones (Min. - Max.)	0.8 - 4.5	0.8 - 4.5							
ACT 390 CFM (Min. - Max.)	250 - 390	250 - 390							
ACT 390 Sones (Min. - Max.)	0.8 - 3	0.8 - 3							
ACT 290 CFM (Min. - Max.)	250 - 290	250 - 290							
ACT 290 Sones (Min. - Max.)	0.8 - 1.2	0.8 - 1.2							
FEATURES									
DCBL Suppression System®	Yes	Yes							
ACT™ Technology	Yes	Yes							
Controls	Electronic LCD	Electronic LCD							
Speed Levels	5 + Burst	5 + Burst							
Auto Delay-Off	Yes	Yes							
Lighting	Bloom™ HD LED, 3W x4	Bloom™ HD LED, 3W x4							
Dual-Level Lighting	Yes	Yes							
Filters	Baffle x2	Baffle x2							
Recirculating Option	Yes	Yes							
Quick-Lock Installation	Yes	Yes							
Magnetic Duct Covers	Yes	Yes							
Extension Duct Cover Option	Yes, Up to 12' Ceiling	Yes, Up to 12' Ceiling							
ADA Compliant	Yes (with remote accessory)	Yes (with remote accessory)							
DUCT SPECIFICATIONS									
Vertical Internal Blower	8" Round	8" Round							
Horizontal Internal Blower	NA	NA							
AC POWER	120V, 60Hz at Max. 4A	120V, 60Hz at Max. 4A							
OPTIONAL ACCESSORIES									
Wireless Remote Control	RC-0001	RC-0001							
Recirculating Kit	ZRC-02NA	ZRC-02NA							
Extension Duct Cover	Z1C-02NA	Z1C-02NA							
Make-Up Air Kit	MUA008A	MUA008A							
MOUNTING HEIGHT RANGE*	26" - 34"	26" - 34"							
WARRANTY	3 years parts, 1 year labor	3 years parts, 1 year labor							
CEILING HEIGHT	8'	8.5'	9'	9.5'	10'	10.5'	11'	12'	
STANDARD DUCT COVER	Ducted Mounting Height*	26" - 28"	26" - 34"	26" - 34"	28" - 34"	34" - 34"	NA	NA	NA
	Recirc Mounting Height*	NA	26" - 29.5"	26" - 34"	28" - 34"	34" - 34"	NA	NA	NA
EXTENSION DUCT COVER	Ducted Mounting Height*	NA	NA	NA	26" - 29"	26" - 34"	26" - 34"	26" - 34"	28" - 34"
	Recirc Mounting Height*	NA	NA	NA	NA	26" - 30.5"	26" - 34"	26" - 34"	28" - 34"

*Mounting height refers to distance between top of a 36" tall cooking surface and bottom of hood.

DCBL SUPPRESSION SYSTEM®
DCBL Suppression System® offers up to 77% less noise, up to 30% more CFM, and up to 77% more energy efficiency for the most advanced range hood technology.

ACT™ AIRFLOW CONTROL TECHNOLOGY™ (ACT™)
is an exclusive feature built into specific Zephyr hoods which can limit the maximum blower CFM to meet local code requirements.

Specifications subject to change, check zephyronline.com for up-to-date information.
Zephyr Ventilation | 2277 Harbor Bay Parkway, Alameda, CA 94502 | 888.880.VENT

NOV18.0101

