

DESIGNER

LAYERS

ISLAND

A bold take on the classic island range hood is a streamlined fusion of white glass and stainless steel that lends to new meaning to "leading edge".

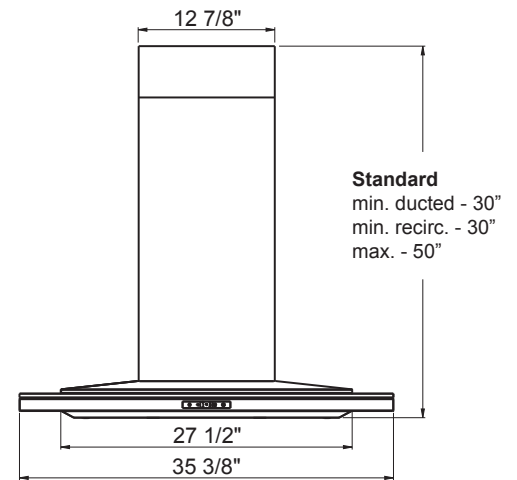
**ZEPHYR**

ZEPHYRONLINE.COM

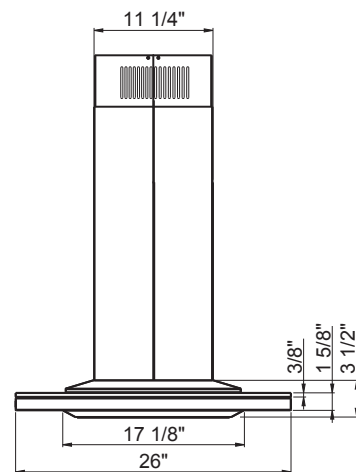
DESIGNER:  
ROBERT BRUNNER



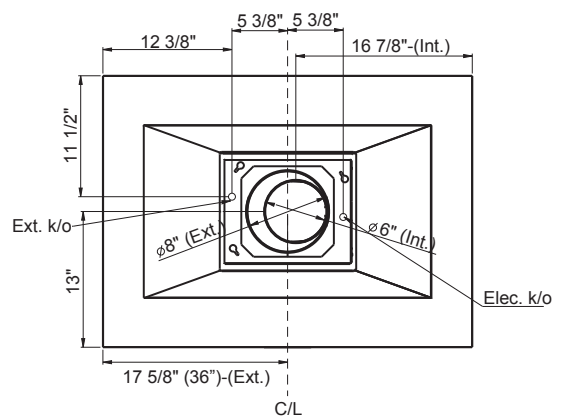
Includes Wireless Remote Control



FRONT



SIDE



TOP

DESIGNER:  
ROBERT BRUNNER

## MODEL

White Glass w/ Stainless Steel ALL-M90BWX  
Size 90cm (35-3/8")

## BLOWER PERFORMANCE

Internal Blower (CBI-290A)\* 200-290 CFM, 1.4-3 sones  
Internal Blower (CBI-600A)\* 240-600 CFM, 1.8-6 sones  
In-Line Blower (PBN-1000A)\* 500-1,000 CFM, sones NA  
External Blower (CBE-1000)\* 500-1,000 CFM, sones NA

## FEATURES

Controls Capacitive Touch  
Speed Levels 3  
Auto Delay-Off Yes  
CleanAir Function\*\* Yes  
Lighting LED Strip x 2 (6W)  
Tri-Level Lighting Yes  
Filters Decorative Mesh x2  
Wireless Remote Control Yes, RF  
Quick-Lock Installation Yes  
Recirculating Yes  
ADA Compliant Yes

## DUCT SPECIFICATIONS

Vertical Internal Blower 6"  
Vertical In-Line/External Blower 10" to 8"\*\*\*\*  
Horizontal NA

## AC POWER

Hood w/ CBI-290A 120V, 60Hz, Max. 1.05A  
Hood w/ CBI-600A 120V, 60Hz, Max. 3.05A  
Hood w/ PBN-1000A 120V, 60Hz, Max. 5.75A  
Hood w/ CBE-1000 120V, 60Hz, Max. 6.55A

## OPTIONAL ACCESSORIES

Recirculating Kit ZRC-01LL  
Make-Up Air Kit MUA006A (600 CFM)  
MUA008A (1,000 CFM)

MOUNTING HEIGHT RANGE† 24" - 36"

WARRANTY 1 year parts, 1 year labor

CEILING HEIGHT		8'	8.5'	9'	9.5'	10'	10.5'	11'	12'
STANDARD DUCT COVER	Ducted Mounting Height†	24" - 30"	24" - 36"	24" - 36"	28" - 36"	34" - 36"	NA	NA	NA
	Recirc. Mounting Height†	24" - 30"	24" - 36"	24" - 36"	28" - 36"	34" - 36"	NA	NA	NA
EXTENSION DUCT COVER	Ducted Mounting Height†	NA	NA	NA	24" - 29"	24" - 35"	24" - 36"	24" - 36"	24" - 36"
	Recirc. Mounting Height†	NA	NA	NA	24" - 29"	24" - 35"	24" - 36"	24" - 36"	24" - 36"

\*Blower sold separately.

\*\*CleanAir turns your hood on once every four hours for 10 minutes on speed one.

\*\*\*\*10" round duct connects to external and in-line blower. Must transition from 10" to 8" before duct passes through ceiling. A 10" to 8" adapter is included with external and in-line blowers.

†Mounting height refers to distance between top of a 36" tall cooking surface and bottom of hood.