

DESIGNER

FORTE

WALL

CUSTOM HOOD

Elevate your kitchen design with Forte – where custom style meets premium craftsmanship. Included with polished stainless steel banding, or the option to upgrade to a range of stylish finishes, Forte lets you create the perfect look for your space. Choose a 12” or

18” duct cover with matching banding for a tailored, seamless fit. And don’t forget to choose a Zephyr hood insert to complete the look. With Forte, you can get traditional design the way you really want.

ZEPHYR
ZEPHYRONLINE.COM



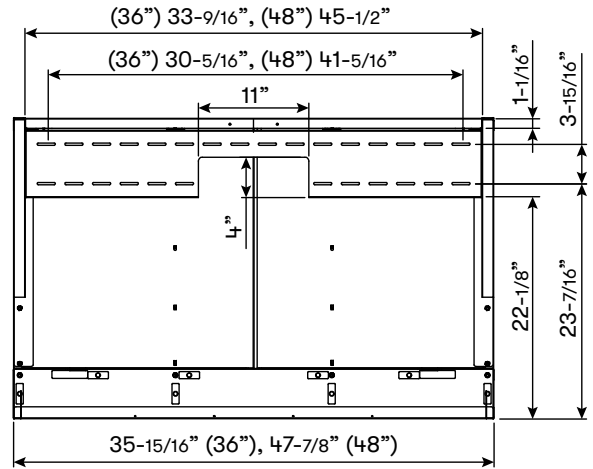
Polished stainless steel banding



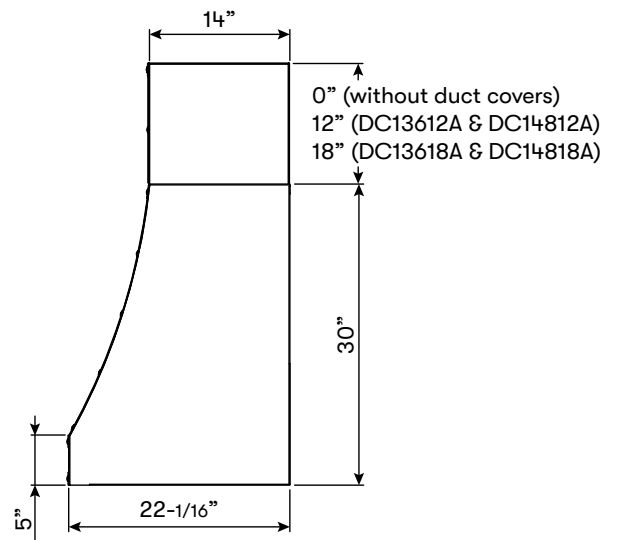
Shown with optional satin gold banding and 12” duct cover



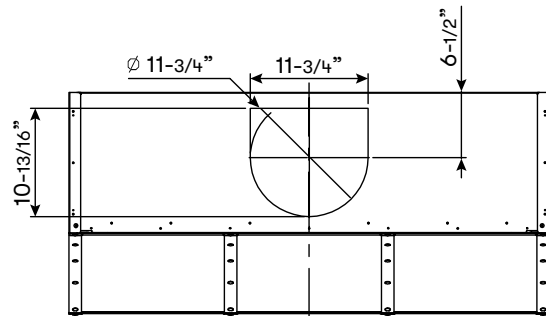
Shown with optional matte black banding and 18” duct cover



BACK



SIDE



C/L

TOP

CUSTOM HOOD

MODEL

Stainless Steel w/ Polished Stainless Steel Banding Size	CHFT36ASX 36"	CHFT48ASX 48"
--	------------------	------------------

COMPATIBLE HOOD INSERTS (Sold Separately)*

Monsoon Mini	AK9134BS	NA
Monsoon Mini II	AK9534AS	AK9546AS
Monsoon I	AK9234BS	AK9246BS
Monsoon Connect	AK9434BS	AK9446BS

DUCT SPECIFICATIONS

Vertical	Yes	Yes
Horizontal	Yes	Yes

OPTIONAL ACCESSORIES

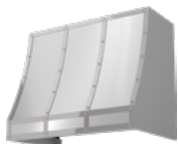
12" Duct Cover w/ Polished Stainless Steel Banding**	DC13612AS	DC14812AS
18" Duct Cover w/ Polished Stainless Steel Banding**	DC13618AS	DC14818AS
Hood Banding Kit - Satin Gold	BKFT36ASG	BKFT48ASG
Hood Banding Kit - Matte Black	BKFT36AMB	BKFT48AMB
12" Duct Cover Banding Kit - Satin Gold	BKDC13612ASG	BKDC14812ASG
12" Duct Cover Banding Kit - Matte Black	BKDC13612AMB	BKDC14812AMB
18" Duct Cover Banding Kit - Satin Gold	BKDC13618ASG	BKDC14818ASG
18" Duct Cover Banding Kit - Matte Black	BKDC13618AMB	BKDC14818AMB
Stainless Steel Telescopic Backsplash	AK1716	AK1718

HOW TO CUSTOMIZE YOUR FORTE HOOD

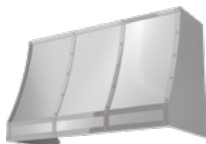
Step 1

Choose your body size, 36" or 48".

Hoods include polished stainless steel banding.



CHFT36ASX
36"



CHFT48ASX
48"

Step 2

Choose your hood insert (sold separately).



Monsoon Mini
AK9134BS



Monsoon Mini II
AK9534AS
AK9546AS



Monsoon I
AK9234BS
AK9246BS



Monsoon Connect
AK9434BS
AK9446BS

Step 3 (optional)

Choose your duct cover size, 12"H or 18"H.

Duct covers include polished stainless steel banding. Duct covers are stackable to reach taller ceiling heights.



12" Duct Cover
DC13612AS (36")
DC14812AS (48")

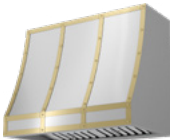


18" Duct Cover
DC13618AS (36")
DC14818AS (48")

Step 4 (optional upgrade)

Choose your banding kit:

Satin Gold or Matte Black for the hood and duct covers.



Satin Gold Banding
BKFT36ASG (36")
BKFT48ASG (48")



Satin Gold Banding
36": BKDC13612ASG (12"), BKDC13618ASG (18")
48": BKDC14812ASG (12"), BKDC14818ASG (18")



Matte Black Banding
BKFT36AMB (36")
BKFT48AMB (48")



Matte Black Banding
36": BKDC13612AMB (12"), BKDC13618AMB (18")
48": BKDC14812AMB (12"), BKDC14818AMB (18")

*Required to complete installation

**Stackable for taller ceiling heights

Specifications subject to change, check zephyronline.com for up-to-date information.
Zephyr Ventilation | 2277 Harbor Bay Parkway, Alameda, CA 94502 | 888.880.VENT