

DESIGNER

DUO

ISLAND

DESIGNER:  
ROBERT BRUNNER

An ideal duo of materials, Duo can be paired with a wood overlay using our template as the guide. Or, if you prefer the simplicity of a slim profile stainless steel canopy, keep the Duo Island as-is; for the stylish, and

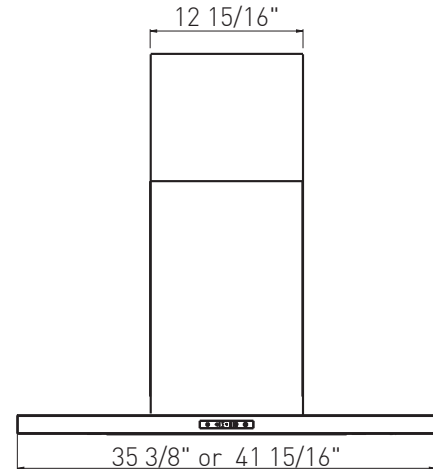
contemporary kitchen. Now available with tri-level LED light strips.

**ZEPHYR**

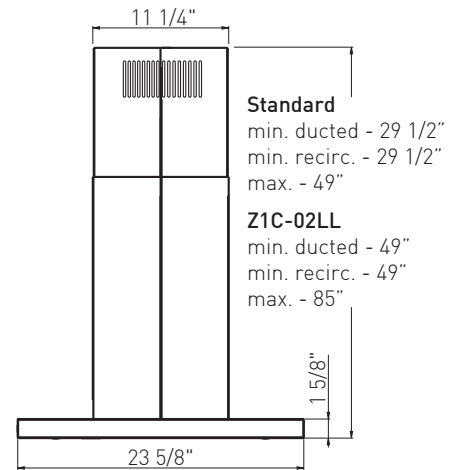
ZEPHYRONLINE.COM



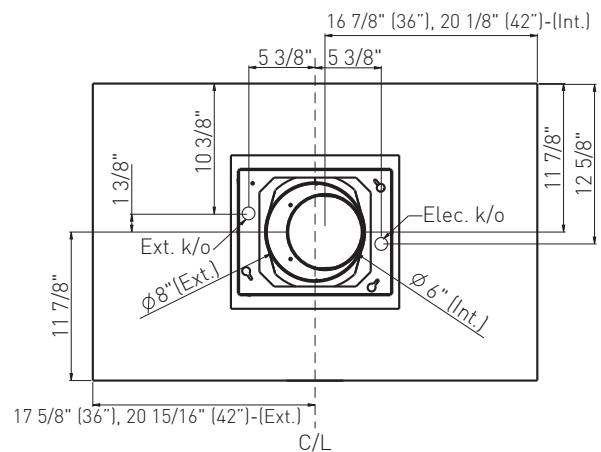
Wireless Remote Control



Front



Side



Top

DESIGNER:  
ROBERT BRUNNER

## MODEL

Stainless Steel	ADL-M90BSX	ADL-E42BSX
Size	90cm (35-3/8")	42"

## PERFORMANCE

Internal Blower (CBI-290A)*	200-290 CFM, 1.4-3 sones	200-290 CFM, 1.4-3 sones
Internal Blower (CBI-600A)*	240-600 CFM, 1.8-6 sones	240-600 CFM, 1.8-6 sones
In-Line Blower (PBN-1000A)*	500-1,000 CFM, sones NA	500-1,000 CFM, sones NA
External Blower (CBE-1000)*	500-1,000 CFM, sones NA	500-1,000 CFM, sones NA

## FEATURES

Controls	Capacitive Touch	Capacitive Touch
Speed Levels	3	3
Auto Delay-Off	Yes	Yes
CleanAir Function**	Yes	Yes
Lighting	LED Strip x 2 (8.5W)	LED Strip x 2 (8.5W)
Tri-Level Lighting	Yes	Yes
Filters	Decorative Mesh x3	Decorative Mesh x3
Wireless Remote Control	Yes, RF	Yes, RF
Quick-Lock Installation	Yes	Yes
Recirculating	Yes	Yes
Extension Duct Cover	Yes	Yes
ADA Compliant	Yes	Yes

## DUCT SPECIFICATIONS

Vertical Internal Blower	6"	6"
Vertical In-Line/External Blower	10" to 8"***	10" to 8"***
Horizontal	NA	NA

## AC POWER

Hood w/ CBI-290A	120V, 60Hz, Max. 1.15A	120V, 60Hz, Max. 1.15A
Hood w/ CBI-600A	120V, 60Hz, Max. 3.15A	120V, 60Hz, Max. 3.15A
Hood w/ PBN-1000A	120V, 60Hz, Max. 5.85A	120V, 60Hz, Max. 5.85A
Hood w/ CBE-1000	120V, 60Hz, Max. 6.65A	120V, 60Hz, Max. 6.65A

## OPTIONAL ACCESSORIES

Recirculating Kit	ZRC-01LL	ZRC-01LL
Extension Duct Cover	Z1C-02LL (up to 12' ceiling)	Z1C-02LL (up to 12' ceiling)
Make-Up Air Kit	MUA006A (600 CFM) MUA008A (1,000 CFM)	MUA006A (600 CFM) MUA008A (1,000 CFM)

MOUNTING HEIGHT RANGE†	24" - 36"	24" - 36"
------------------------	-----------	-----------

WARRANTY	1 year parts, 1 year labor	1 year parts, 1 year labor
----------	----------------------------	----------------------------

CEILING HEIGHT		8'	8.5'	9'	9.5'	10'	10.5'	11'	12'
STANDARD DUCT COVER	Ducted Mounting Height†	24" - 30.5"	24" - 36"	24" - 36"	29" - 36"	35" - 36"	NA	NA	NA
	Recirc. Mounting Height†	24" - 30.5"	24" - 36"	24" - 36"	29" - 36"	35" - 36"	NA	NA	NA
EXTENSION DUCT COVER	Ducted Mounting Height†	NA	NA	NA	24" - 29"	24" - 35"	24" - 36"	24" - 36"	24" - 36"
	Recirc. Mounting Height†	NA	NA	NA	24" - 29"	24" - 35"	24" - 36"	24" - 36"	24" - 36"

\*Blower sold separately.

\*\*CleanAir turns your hood on once every four hours for 10 minutes on speed one.

\*\*\*10" round duct connects to external and in-line blower. Must transition from 10" to 8" before duct passes through ceiling. A 10" to 8" adapter is included with external and in-line blowers.

†Mounting height refers to distance between top of a 36" tall cooking surface and bottom of hood.