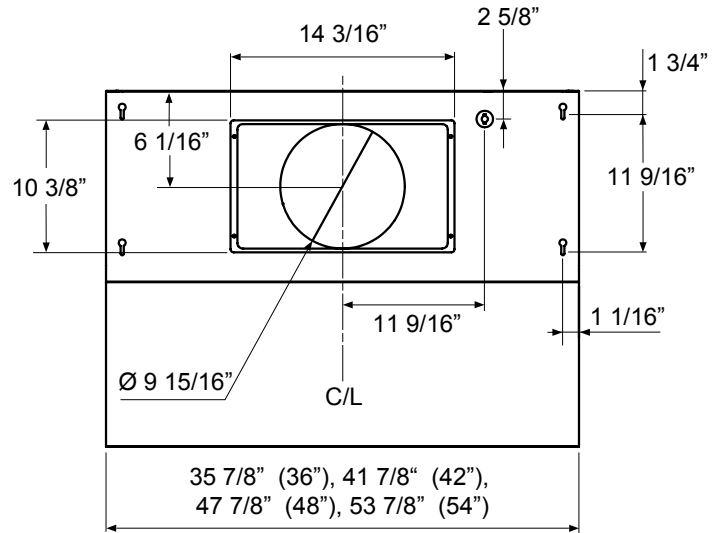


Cypress features a seamlessly contoured, fully welded and polished exterior, along with a corrosion resistant, 304-grade stainless steel canopy that houses high-performance professional stainless steel baffle filters that enhance airflow and are dishwasher safe. Three-speed

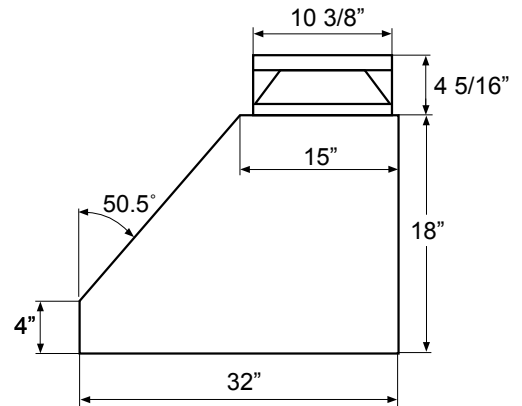
metallic knob controls withstand extreme heat and moisture. Available with dual-level halogen lighting and an extended 32" depth for even more capture. An optional 12" duct cover and telescopic duct cover for 10' to 12' ceilings available.



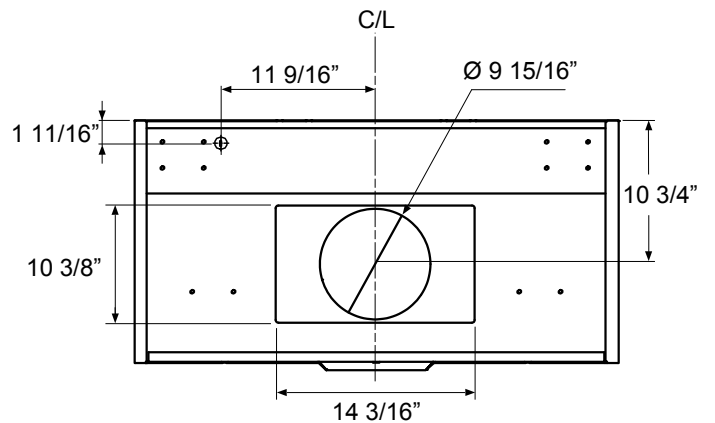
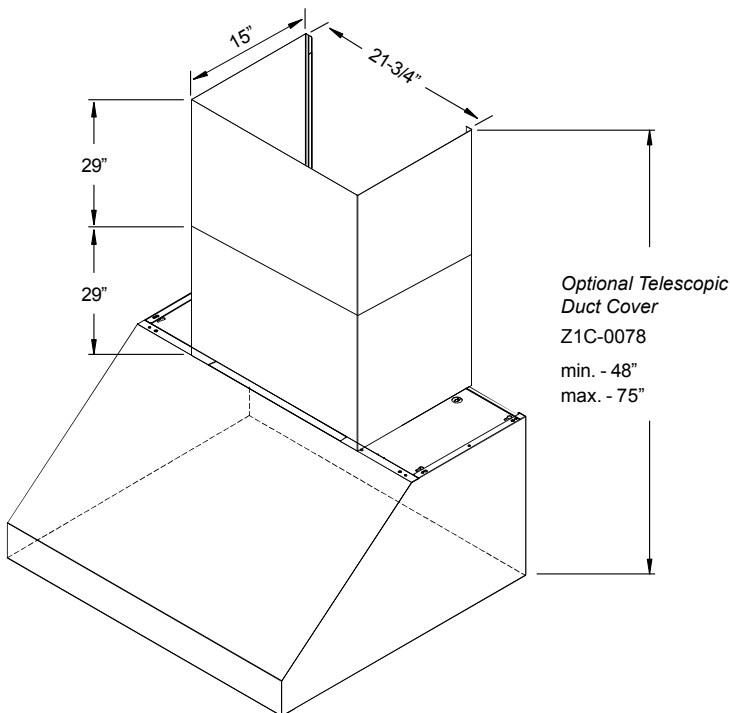
48" model shown with optional 12" duct cover



TOP



SIDE



BACK

MODEL	AK7836BS	AK7842BS	AK7848BS	AK7854BS
Stainless Steel				
Size	36"	42"	48"	54"
Net Width	35-7/8"	41-7/8"	47-7/8"	53-7/8"
Blower CFM (Min. - Max.)	450 - 1,200	450 - 1,200	450 - 1,200	450 - 1,200
Sones (Min. - Max.)	3.5 - 9	3.5 - 9	3.5 - 9	3.5 - 9
FEATURES				
Controls	Metallic Knob	Metallic Knob	Metallic Knob	Metallic Knob
Speed Levels	3	3	3	3
Lighting	Halogen, 35W x2	Halogen, 35W x2	Halogen, 35W x4	Halogen, 35W x4
Dual-Level Lighting	Yes	Yes	Yes	Yes
Filters	Pro Baffle x3	Pro Baffle x3	Pro Baffle x4	Pro Baffle x4
Recirculating Option	No	No	No	No
High Quality Stainless Steel	304S	304S	304S	304S
DUCT SPECIFICATIONS				
Vertical Internal Blower	10" Round	10" Round	10" Round	10" Round
Horizontal Internal Blower	10" Round	10" Round	10" Round	10" Round
AC POWER	120V, 60Hz at Max. 9A	120V, 60Hz at Max. 9A	120V, 60Hz at Max. 9A	120V, 60Hz at Max. 9A
OPTIONAL ACCESSORIES				
12" Duct Cover	AK0736BS	AK0742BS	AK0748BS	AK0754BS
Duct Cover (10' - 12' ceilings)	Z1C-0078	Z1C-0078	Z1C-0078	Z1C-0078
Bloom™ GU10 LED	ZOB0040	ZOB0040	ZOB0040	ZOB0040
MOUNTING HEIGHT RANGE*	30" - 36"	30" - 36"	30" - 36"	30" - 36"
WARRANTY	3 years parts, 1 year labor	3 years parts, 1 year labor	3 years parts, 1 year labor	3 years parts, 1 year labor

*Mounting height refers to distance between top of a 36" tall cooking surface and bottom of hood.