

CHENG

CACHE

UNDER-CABINET

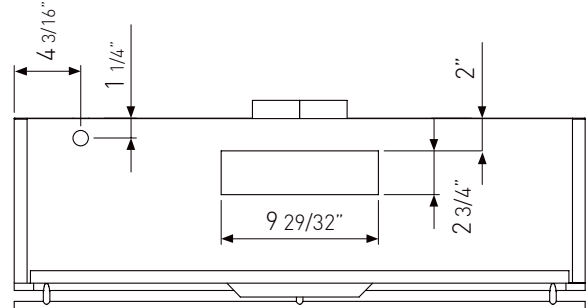
DESIGNER:
FU-TUNG CHENG

Another of Fu-Tung Cheng's stylish new concepts, Cache's subdued design eschews clutter, infusing your entire kitchen with ordered elegance. Beneath its sweeping, understated hood and signature utensil-rail, the Cache hides a

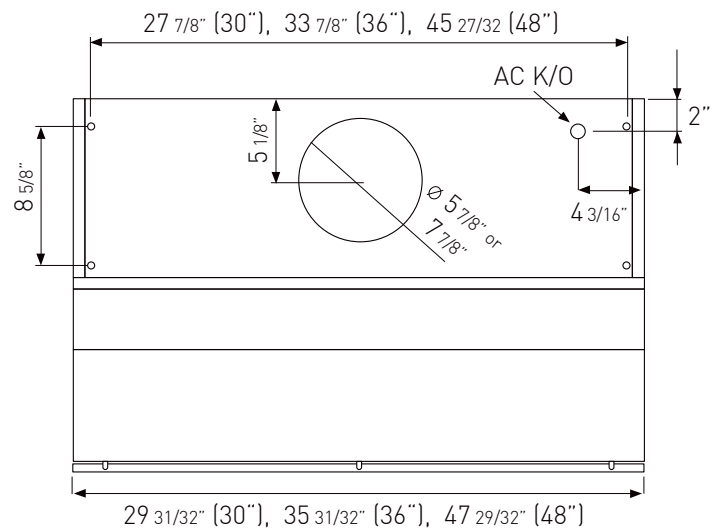
spacious storage compartment-perfect for housing herbs, spices, and other culinary devices.

ZEPHYR

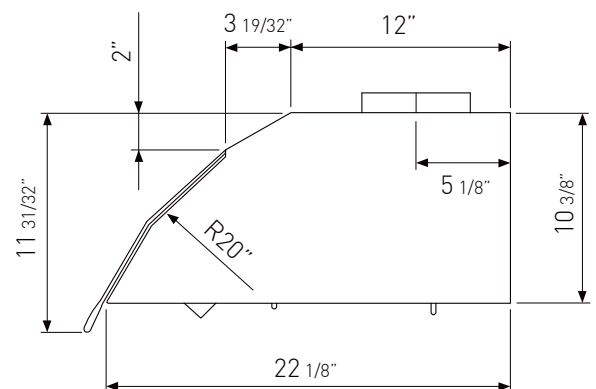
ZEPHYRONLINE.COM



Back



Top



Side

DESIGNER:
FU-TUNG CHENG

MODEL	CCA-E30ASX	CCA-E36ASX	CCA-E48ASX
Stainless Steel			
Size	30"	36"	48"
PERFORMANCE			
Internal Blower (CBI-290A)*	200-290 CFM, 1.4-3 sones	200-290 CFM, 1.4-3 sones	200-290 CFM, 1.4-3 sones
Internal Blower (CBI-600A)*	240-600 CFM, 1.8-6 sones	240-600 CFM, 1.8-6 sones	240-600 CFM, 1.8-6 sones
In-Line Blower (PBN-1000A)*	500-1,000 CFM, sones NA	500-1,000 CFM, sones NA	500-1,000 CFM, sones NA
External Blower (CBE-1000)*	500-1,000 CFM, sones NA	500-1,000 CFM, sones NA	500-1,000 CFM, sones NA
FEATURES			
Controls	Electronic Touch Controls	Electronic Touch Controls	Electronic Touch Controls
Speed Levels	3	3	3
Auto Delay-Off	Yes	Yes	Yes
Lighting	Halogen, 50W x2	Halogen, 50W x2	Halogen, 50W x4
Dual-Level Lighting	Yes	Yes	Yes
Filters	Professional Baffle	Professional Baffle	Professional Baffle
Recirculating Option	No	No	No
Extension Duct Cover Option	NA	NA	NA
ADA Compliant	Yes (with remote accessory)	Yes (with remote accessory)	Yes (with remote accessory)
DUCT SPECIFICATIONS			
Vertical - Internal Blower	6" Round	6" Round	6" Round
Horizontal - Internal Blower	3-1/4" x 10"	3-1/4" x 10"	3-1/4" x 10"
Vertical - External/In-Line Blower	10" - 8"***	10" - 8"***	10" - 8"***
Horizontal - External/In-Line Blower	NA	NA	NA
AC POWER			
Hood w/ CBI-290A	120V, 60Hz, Max. 1.65A	120V, 60Hz, Max. 1.65A	120V, 60Hz, Max. 2.55A
Hood w/ CBI-600A	120V, 60Hz, Max. 3.65A	120V, 60Hz, Max. 3.65A	120V, 60Hz, Max. 4.55A
Hood w/ PBN-1000A	120V, 60Hz, Max. 6.35A	120V, 60Hz, Max. 6.35A	120V, 60Hz, Max. 7.25A
Hood w/ CBE-1000	120V, 60Hz, Max. 7.15A	120V, 60Hz, Max. 7.15A	120V, 60Hz, Max. 8.05A
OPTIONAL ACCESSORIES			
Bloom™ GU10 LED	Z0B0040	Z0B0040	Z0B0040
Make-Up Air Kit	MUA006A (600 CFM) MUA008A (1,000 CFM)	MUA006A (600 CFM) MUA008A (1,000 CFM)	MUA006A (600 CFM) MUA008A (1,000 CFM)
MOUNTING HEIGHT RANGE***	24" - 36"	24" - 36"	24" - 36"
WARRANTY	3 years parts, 1 year labor	3 years parts, 1 year labor	3 years parts, 1 year labor

*Blower sold separately.

**10" round duct connects to external and in-line blower. Must transition from 10" to 8" before duct passes through ceiling. A 10" to 8" adapter is included with external and in-line blowers.

***Mounting height refers to distance between top of a 36" tall cooking surface and bottom of hood.