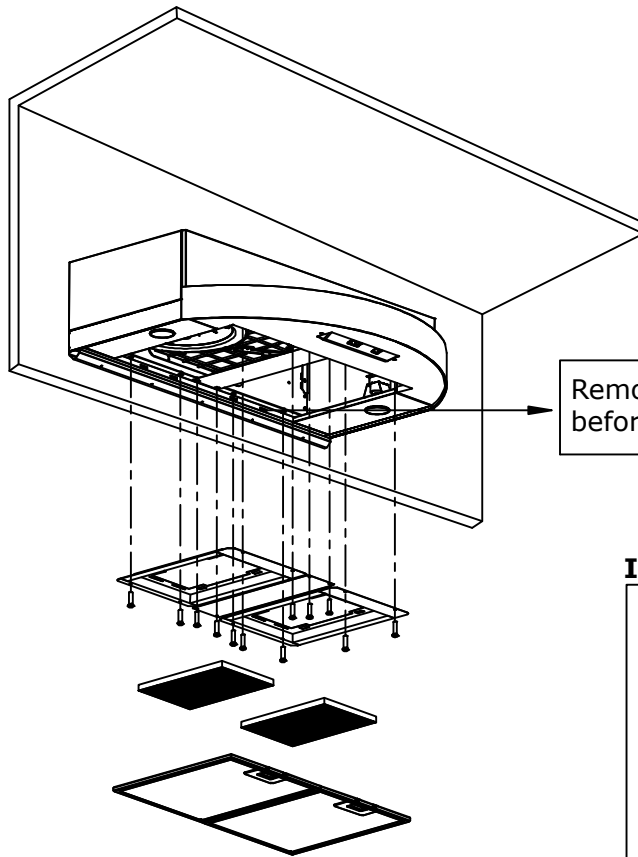


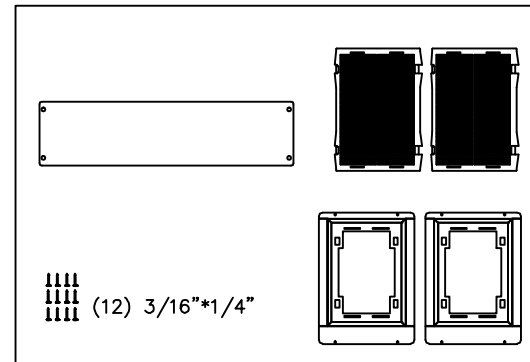
ZRC-0200

For use with models : AK71, ZTA, ZTE, ZPY

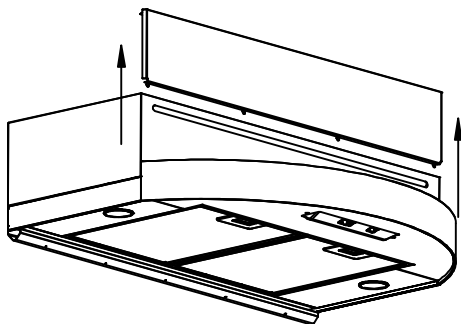


Remove all black foam from filter opening before installing the charcoal filter brackets.

INCLUDED MATERIALS

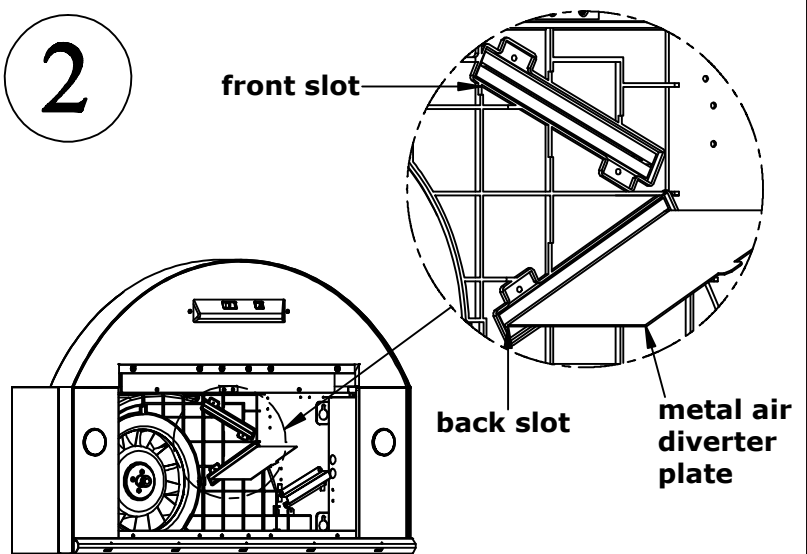


1



For models ZTA and ZTE only:
Unscrew and remove front cover.

2



a. Remove air diverter plate slot covers.
b. Remove metal air diverter plate from front slot and reposition to back slot.
c. Reinstall air diverter plate covers.