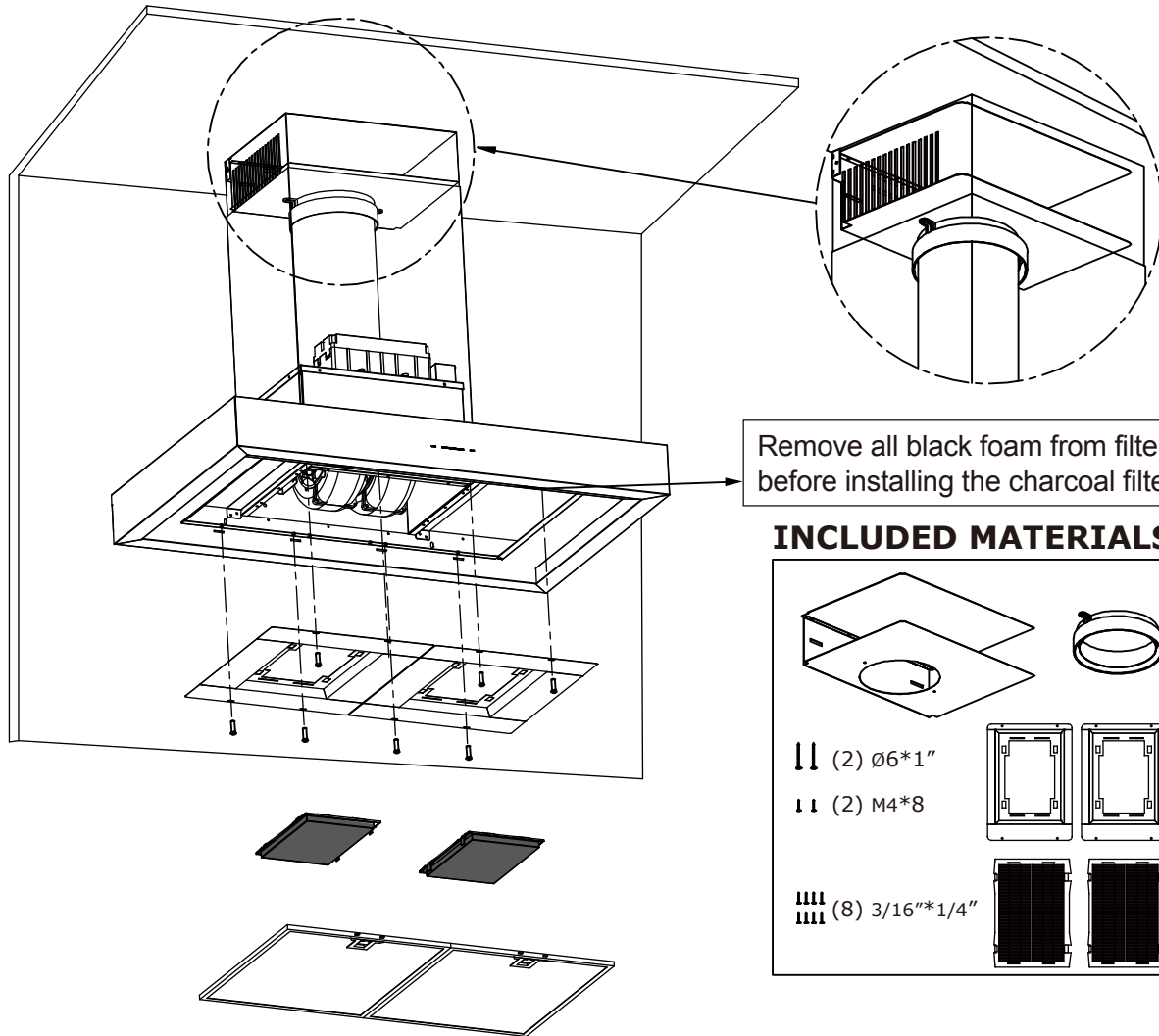


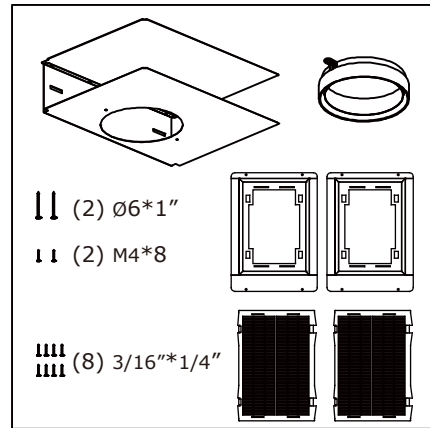
ZRC-01RO

For use with models: ZRO-E30CS, ZRO-M90CS

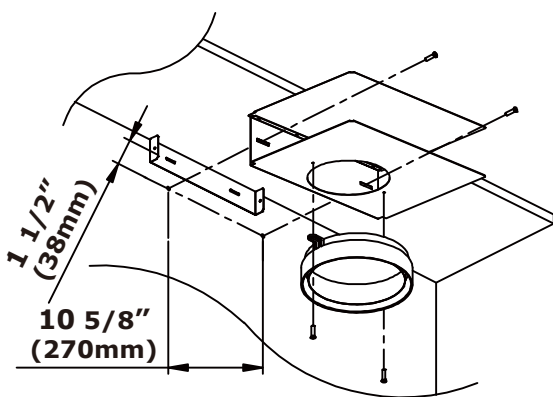


Remove all black foam from filter opening before installing the charcoal filter brackets.

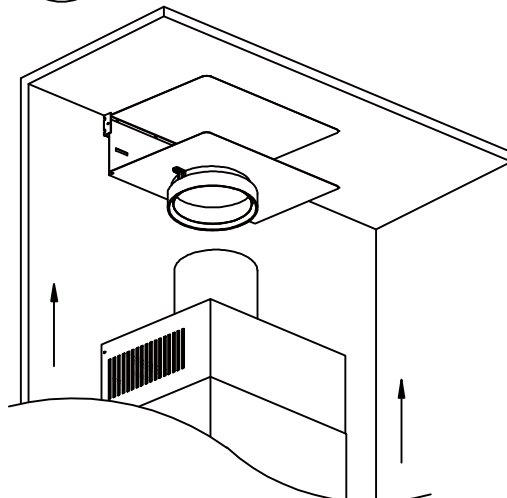
INCLUDED MATERIALS



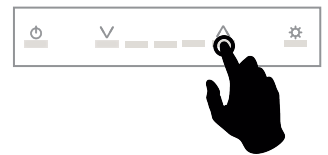
1



2



3



Follow instructions in hood manual to enable the "replace charcoal filter" indicator on the hood controls.