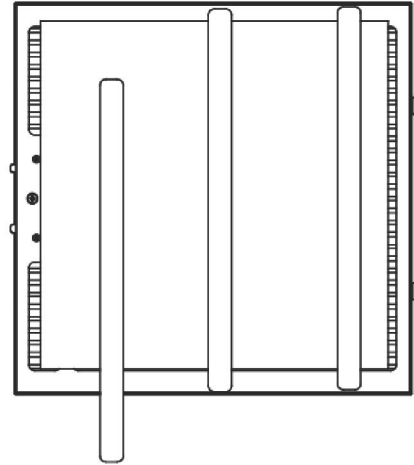
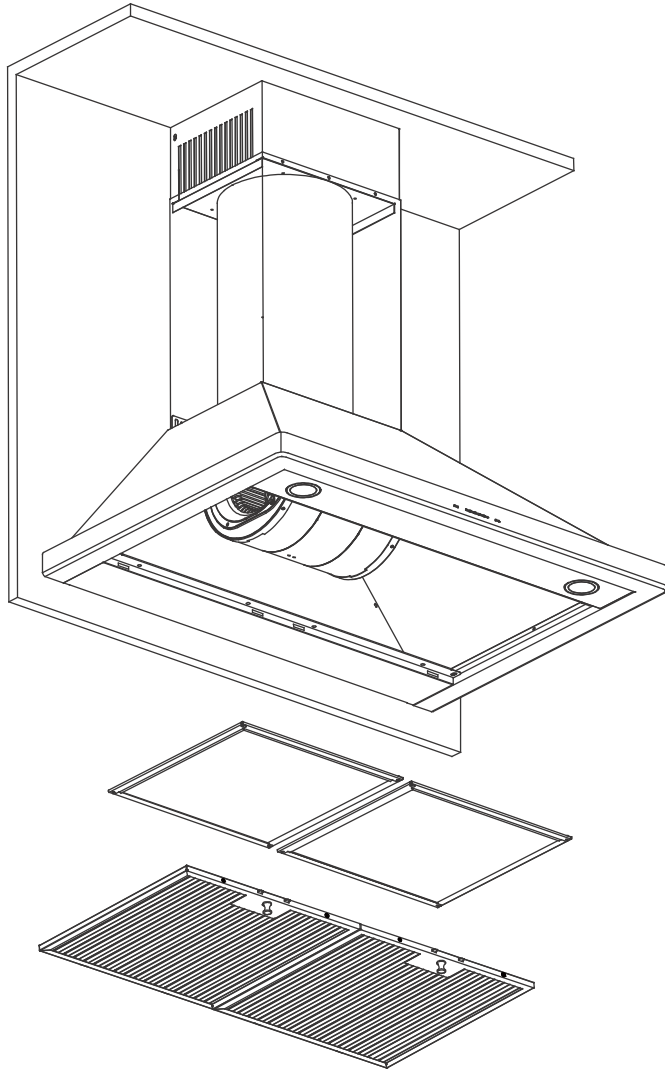


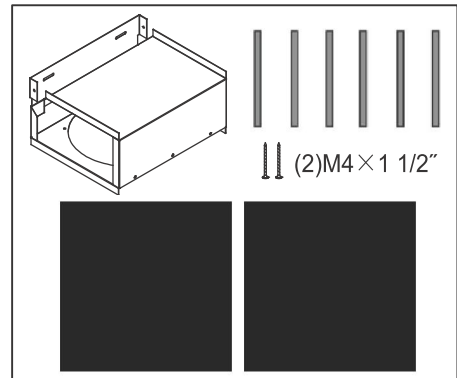
ZRC-00SI

For use with : ZSI-A , ZSI-B

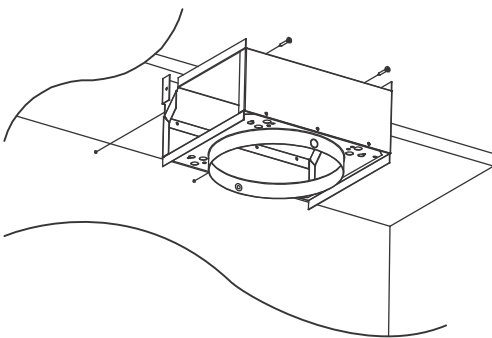


Place charcoal filter on back-side of baffle filter. And place filter brackets over charcoal filter and secure in place by tucking each end of bracket under the baffle filter frame. Re-install baffle filter.

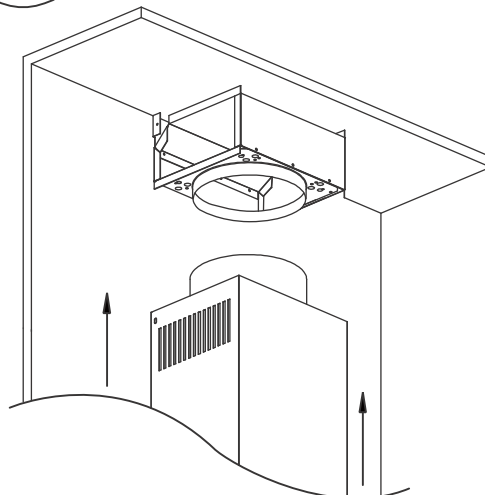
INCLUDED MATERIAL



1



2



3



Follow instructions in hood manual to enable the "replace charcoal filter" indicator on the hood controls.