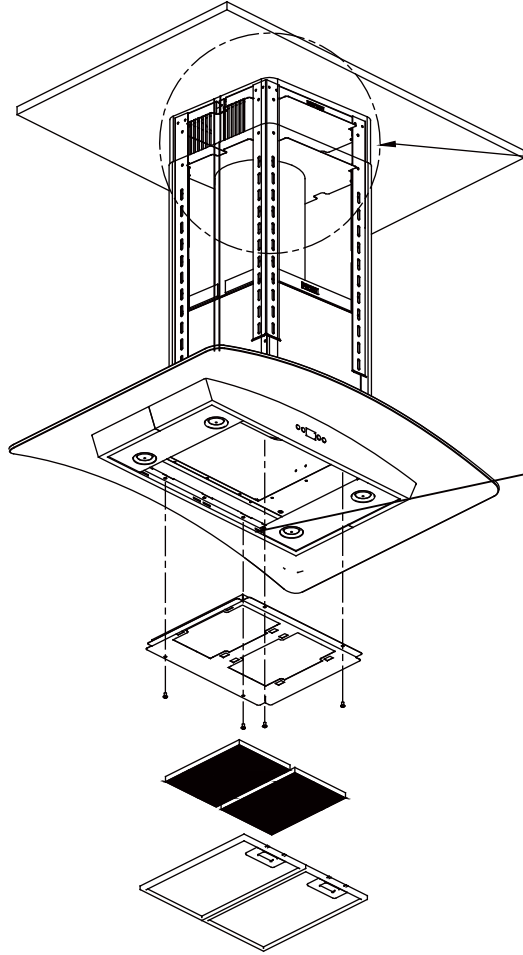


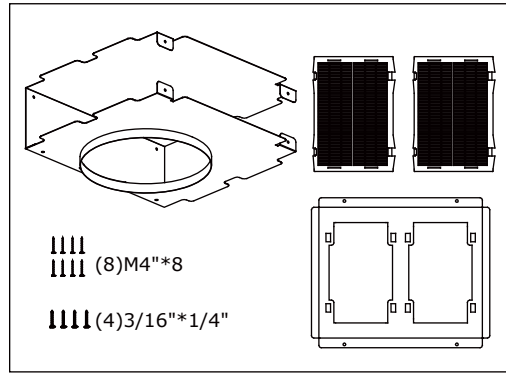
## ZRC-00ML

For use with models : ZML-xxxBx

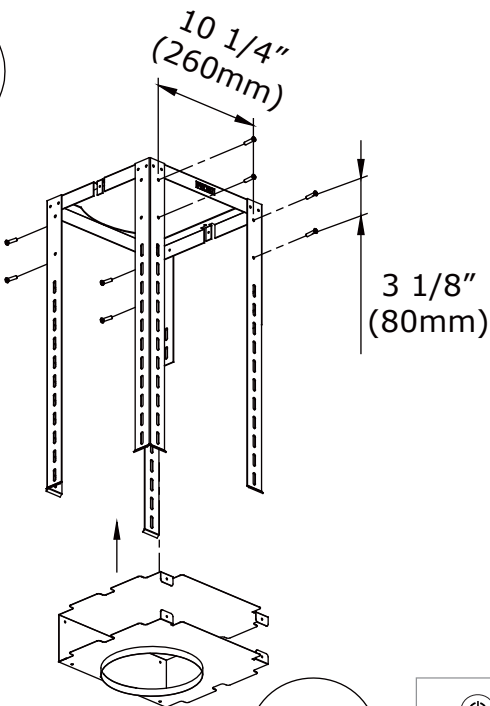


Remove all black foam from filter opening before installing the charcoal filter brackets.

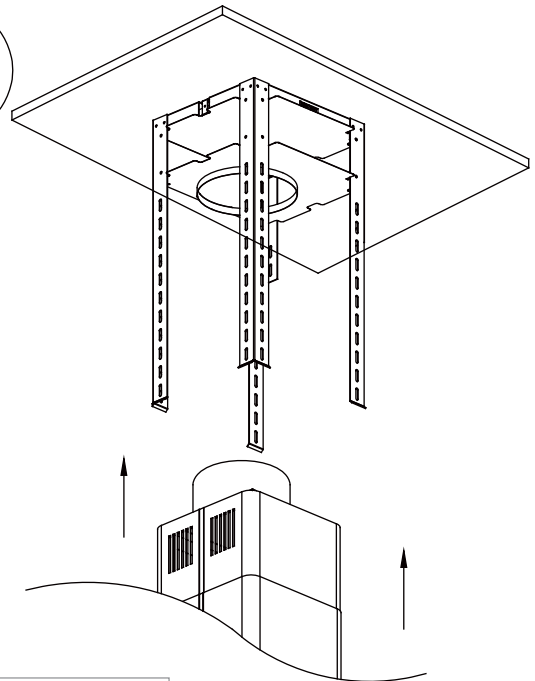
### LIST OF MATERIALS



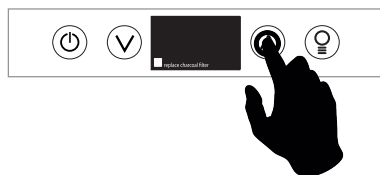
1



2



3



Follow instructions in hood manual to enable the "replace charcoal filter" indicator on the hood controls.