

ZEPHYR

WWW.ZEPHYRONLINE.COM

Monsoon I

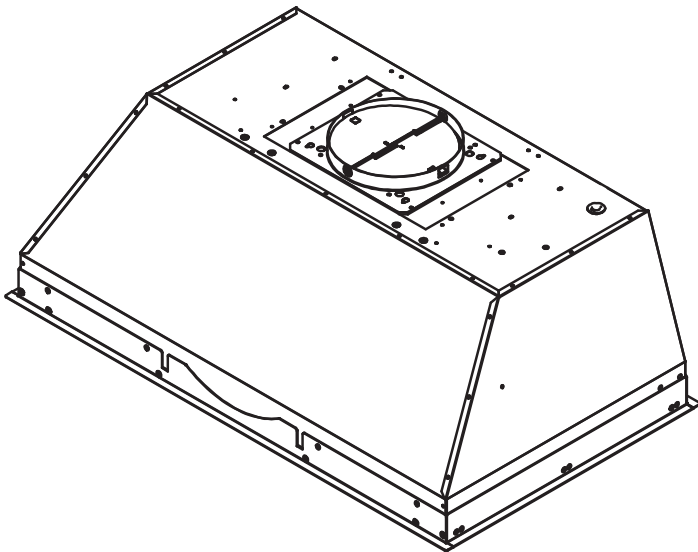
AK9228CS, AK9234CS, AK9240CS, AK9246CS

Monsoon II

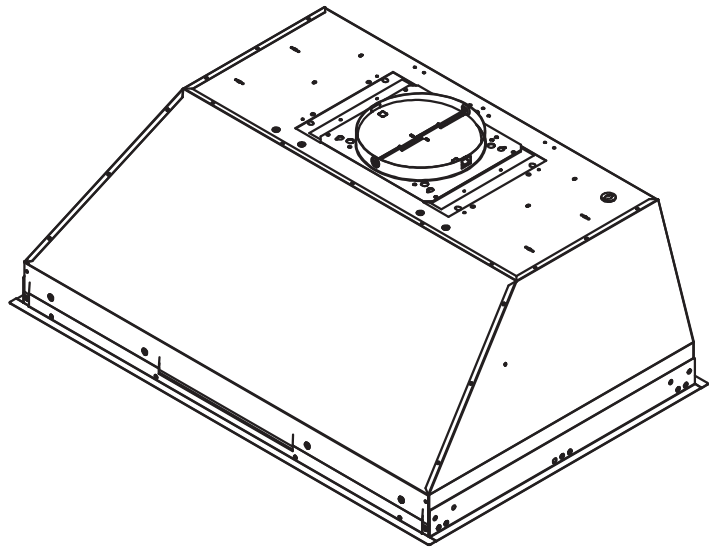
AK9334CS, AK9340CS, AK9346CS,
AK9352CS, AK9358CS

EN Use, Care, and Installation Guide

FR Guide d'utilisation, d'entretien et d'installation



MONSOON I



MONSOON II

ACT[™]
Airflow Control Technology

Register Your Product Today
zephyronline.com/registration



UL[®] US LISTED

	Page
Safety Information	4-6
Types of Safety Warnings.....	4
General Safety	4-5
Operation	6
Electrical Requirements	6
Federal Communication Commission Interface Statement	6
List of Materials	7
Installation Instructions	8-24
Ducting Calculation Sheet	8
Mounting Height, Clearance, & Ducting	9-10
Ducting Options	11
Hood Specifications, AK92-C.....	12
Hood Specifications, AK93-C.....	13
Electrical Supply.....	14
Cable Lock	14
Preparation & Installation	15-17
Vertical Ducting Preparation.....	18-19
Horizontal Ducting Preparation	20-23
PBD-1200B Dual Blower Installation	24-25
Features & Controls	26-29
LCD Touch Controls.....	26-27
Optional RF Remote Control.....	28-29
Maintenance	30-32
Hood & Filter Cleaning.....	30-31
LumiLight LED	32
ACT™ Conversion	33-34
Airflow Control Technology (ACT™)	33
Enabling ACT™	34
Wiring Diagram	35-36
Troubleshooting	37-38
List of Parts & Accessories	39
Notes	40
Limited Warranty	41
Product Registration	42

Safety Information

READ AND SAVE THESE INSTRUCTIONS

Your safety and the safety of others are very important. We have provided many important safety messages in this manual for your appliance. Always read and obey all safety messages.



This is the Safety Alert Symbol. This symbol alerts you to potential hazards that can cause severe bodily injury or death. All safety messages will follow the Safety Alert Symbol and either the words “DANGER” “WARNING” or “CAUTION”



General Safety



WARNING - TO REDUCE THE RISK OF FIRE, ELECTRIC SHOCK, OR INJURY TO PERSONS, OBSERVE THE FOLLOWING:

- Use this unit only in the manner intended by the manufacturer. If you have questions, contact the manufacturer.
- Before servicing or cleaning unit, switch power off at service panel and lock the service disconnecting means to prevent power from being switched on accidentally. When the service disconnecting means cannot be locked, securely fasten a prominent warning device, such as a tag, to the service panel.



WARNING - TO REDUCE THE RISK OF A RANGE TOP GREASE FIRE:

- Never leave surface units unattended at high settings. Boilovers cause smoking and greasy spillovers that may ignite. Heat oils slowly on low or medium settings.
- Always turn insert ON when cooking at high heat or when flambeing food. (i.e. Crepes Suzette, Cherries Jubilee, Peppercorn Beef Flambe’).
- Clean ventilating fans frequently. Grease should not be allowed to accumulate on fan or filter.
- Use proper pan size. Always use cookware appropriate for the size of the surface element.

READ AND SAVE THESE INSTRUCTIONS



WARNING - TO REDUCE THE RISK OF INJURY TO PERSONS IN THE EVENT OF A RANGE TOP GREASE FIRE, OBSERVE THE FOLLOWING^o:

- a) SMOTHER FLAMES with a close-fitting lid, cookie sheet, or metal tray, then turn off the burner. BE CAREFUL TO PREVENT BURNS. If the flames do not go out immediately, EVACUATE AND CALL THE FIRE DEPARTMENT.
- b) NEVER PICK UP A FLAMING PAN – You may be burned.
- c) DO NOT USE WATER, including wet dishcloths or towels – a violent steam explosion will result.
- d) Use an extinguisher ONLY if:
 - 1) You know you have a Class ABC extinguisher, and you already know how to operate it.
 - 2) The fire is small and contained in the area where it started.
 - 3) The fire department is being called.
 - 4) You can fight the fire with your back to an exit

^oBased on “Kitchen Firesafety Tips” published by NFPA.



WARNING - TO REDUCE THE RISK OF FIRE, ELECTRIC SHOCK, OR INJURY TO PERSONS, OBSERVE THE FOLLOWING:

- a) Installation work and electrical wiring must be done by qualified person(s) in accordance with all applicable codes and standards, including fire-rated construction.
- b) Sufficient air is needed for proper combustion and exhausting of gases through the flue (chimney) of fuel burning equipment to prevent back drafting. Follow the heating equipment manufacturer’s guideline and safety standards such as those published by the National Fire Protection Association (NFPA), and the American Society for Heating, Refrigeration and Air Conditioning Engineers (ASHRAE), and the local code authorities.
- c) When cutting or drilling into wall or ceiling, do not damage electrical wiring and other hidden utilities.
- d) Ducted fans must always be vented to the outdoors.
- e) If this unit is to be installed over a tub or shower, it must be marked as appropriate for the application and be connected to a GFCI (Ground Fault Circuit Interrupter) - protected branch circuit.



Safety Information

READ AND SAVE THESE INSTRUCTIONS

Operation

- ▶ Always leave safety grilles and filters in place. Without these components, operating blowers could catch onto hair, fingers and loose clothing.
- ▶ The manufacturer declines all responsibility in the event of failure to observe the instructions given here for installation, maintenance and suitable use of the product. The manufacturer further declines all responsibility for injury due to negligence and the warranty of the unit automatically expires due to improper maintenance.

NOTE: Please check www.zephyronline.com for revisions before doing any custom work.

Electrical Requirements

Important:

- ▶ Observe all governing codes and ordinances.
- ▶ It is the customer's responsibility to be aware of these below:
- ▶ To contact a qualified electrical installer.
- ▶ To assure that the electrical installation is adequate and in conformance with National Electrical Code, ANSI/NFPA 70 latest edition* or CSA standards C22.1-94, Canadian Electrical Code, Part 1 and C22.2 No.0-M91 - latest edition** and all local codes and ordinances.
- ▶ If codes permit and a separate ground wire is used, it is recommended that a qualified electrician determine that the ground path is adequate.
- ▶ Do not ground to a gas pipe.
- ▶ Check with a qualified electrician if you are not sure the insert is properly grounded.
- ▶ Do not have a fuse in the neutral or ground circuit.
- ▶ This appliance requires a 120V 60Hz electrical supply and connected to an individual properly grounded branch circuit protected by a 15 or 20 ampere circuit breaker or time delay fuse. Wiring must be 2 wire with ground. Please also refer to Electrical Diagram on product.
- ▶ A cable locking connector (not supplied) might also be required by local codes. Check with local requirements, purchase and install appropriate connector if necessary.

* National Fire Protection Association Batterymarch Park, Quincy, Massachusetts 02269

** CSA International 8501 East Pleasant Valley Road, Cleveland, Ohio 44131-5575

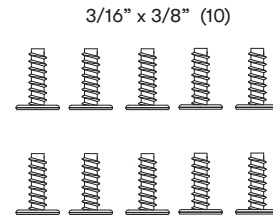
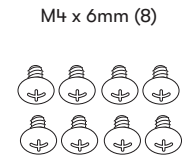
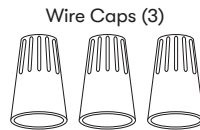
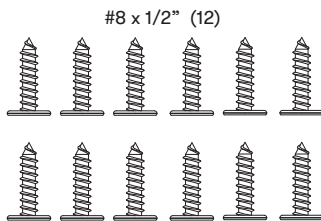
Federal Communication Commission Interface Statement

- ▶ This equipment has been tested and found to comply with the limits for a Class B digital device, pursuant to Part 15 of the FCC Rules. These limits are designed to provide reasonable protection against harmful interference in a residential installation.
- ▶ This equipment generates, uses and can radiate radio frequency energy and, if not installed and used in accordance with the instructions, may cause harmful interference to radio communications. However, there is no guarantee that interference will not occur in a particular installation. If this equipment does cause harmful interference to radio or television reception, which can be determined by turning the equipment off and on, the user is encouraged to try to correct the interference by one of the following measures:
- ▶ Reorient or relocate the receiving antenna.
- ▶ Increase the separation between the equipment and receiver.
- ▶ Connect the equipment into an outlet on a circuit different from that to which the receiver is connected.
- ▶ Consult the dealer or an experienced radio/TV technician for help.

Parts Supplied (AK92-C)

Parts Supplied (AK93-C)

Quantity	Part	Quantity	Part
1	Hood insert body	1	Hood insert body
2	Pro baffle filters (30", 36", 42")	2	Pro baffle filters (36", 42")
3	Pro baffle filters (48")	3	Pro baffle filters (48", 54" 60")
2	LumiLight LED with TruHue™, 6W (pre-installed) (30", 36", 42")	4	LumiLight LED with TruHue™, 6W (pre-installed)
4	LumiLight LED with TruHue™, 6W (pre-installed) (48")	1	Internal blower (pre-installed)
1	Internal blower (pre-installed)	1	8" round adapter w/ damper
1	8" round adapter w/ damper	1	Top rectangular cover plate
1	Top rectangular cover plate	2	Horizontal ducting bracket
2	Horizontal ducting bracket	1	Trim kit
1	Trim kit	1	Hardware package
1	Hardware package		



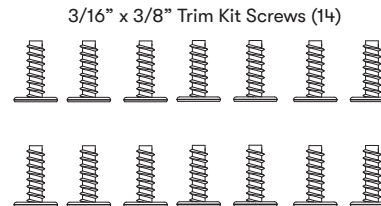
CFM Stickers (2)

BLOWER CFM - 390

Refer to owner's manual for how to verify CFM.

BLOWER CFM - 290

Refer to owner's manual for how to verify CFM.

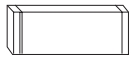
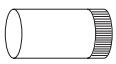
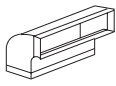
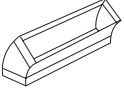
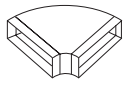
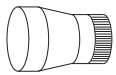
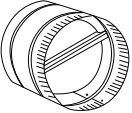
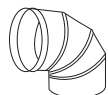
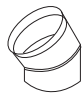


Parts Not Supplied

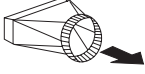
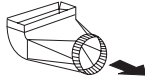

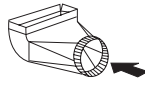
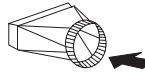
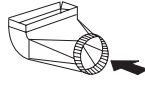
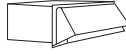
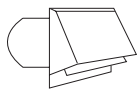

Ducting, conduit and all installation tools
Cable locking connector (if required by local codes)
Dual internal blower (PBD-1200B)
RF remote control (RC-0002)

Installation Instructions

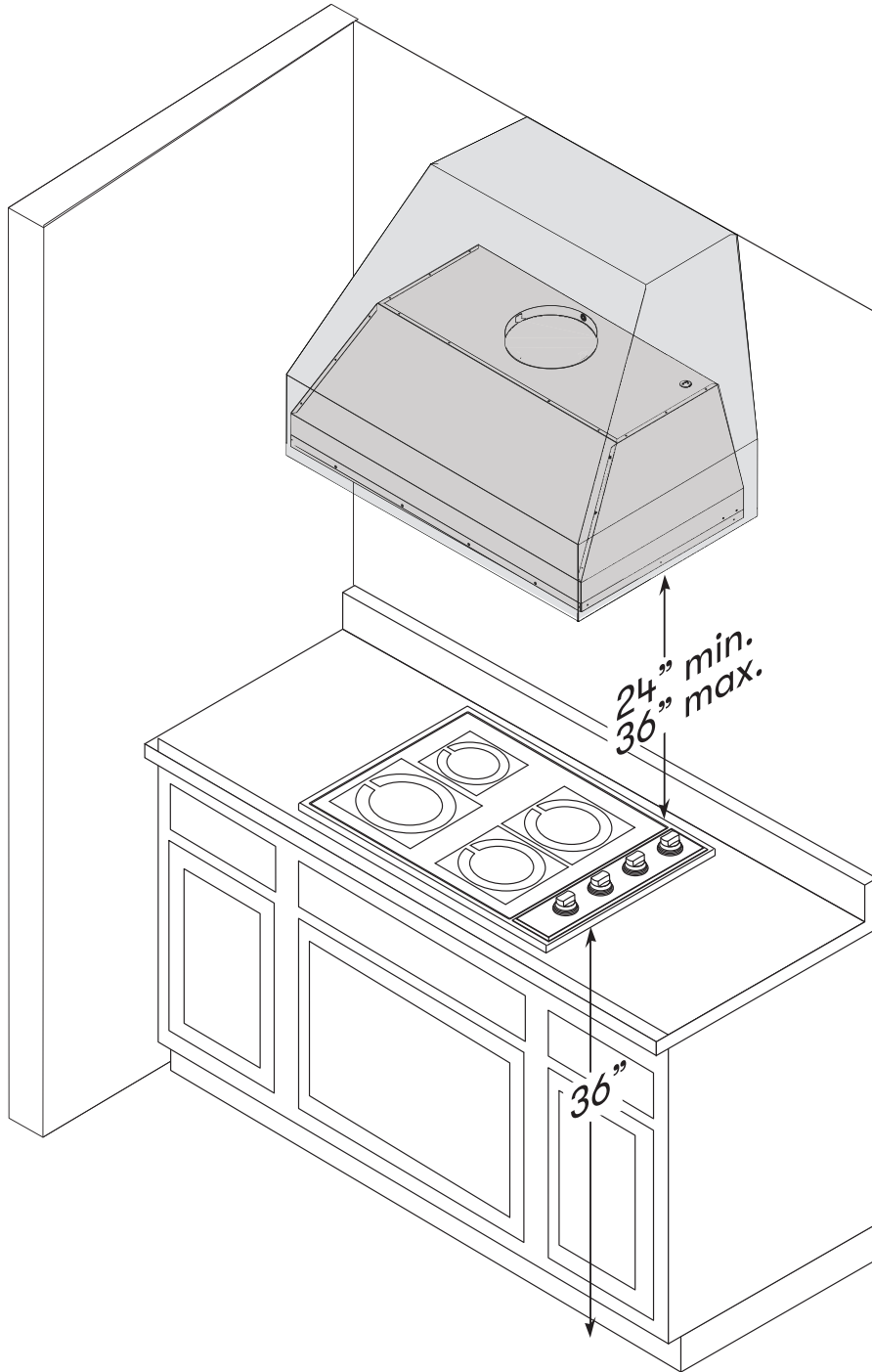
Ducting Calculation Sheet

Duct pieces		Equivalent number length x used =	Total
	3-1/4" x 10" Rect., straight	1 Ft. x () =	Ft.
	6", 7", 8", 10" Round, straight	1 Ft. x () =	Ft.
	3-1/4" x 10" Rect. 90° elbow	15 Ft. x () =	Ft.
	3-1/4" x 10" Rect. 45° elbow	9 Ft. x () =	Ft.
	3-1/4" x 10" Rect. 90° flatelbow	24 Ft. x () =	Ft.
	7" to 6" or 8" to 7" Round tapered reducer	25 Ft. x () =	Ft.
	6", 7", 8" Round in-line damper	15 Ft. x () =	Ft.
	6", 7", 8", 10" Round, 90° elbow	15 Ft. x () =	Ft.
	6", 7", 8", 10" Round, 45° elbow	9 Ft. x () =	Ft.
Subtotal column 1 =			Ft.

Maximum Duct Length: For satisfactory air movement, the total duct length should not exceed 150 equivalent feet.

Duct pieces		Equivalent number length x used =	Total
	3-1/4" x 10" Rect. to 6" round transition	5 Ft. x () =	Ft.
	3-1/4" x 10" Rect. to 6" round transition 90° elbow	20 Ft. x () =	Ft.
	6" round to 3-1/4" x 10" rect. transition	1 Ft. x () =	Ft.
	6" round to 3-1/4" x 10" rect. transition 90° elbow	16 Ft. x () =	Ft.
	7" round to 3 1/4" x 10" rect. transition	8 Ft. x () =	Ft.
	7" round to 3-1/4" x 10" rect. transition 90° elbow	23 Ft. x () =	Ft.
	3-1/4" x 10" Rect. wall cap with damper	30 Ft. x () =	Ft.
	6", 7", 8", 10" Round, wall cap with damper	30 Ft. x () =	Ft.
	6", 7", 8", 10" Round roof cap	30 Ft. x () =	Ft.
Subtotal column 2 =			Ft.
Subtotal column 1 =			Ft.
Total ductwork =			Ft.

Mounting Height, Clearance, & Ducting



Installation Instructions

Mounting Height, Clearance, & Ducting

A minimum of 8" round duct is recommended to maintain maximum air flow efficiency for single blower and 10" round duct for dual internal blower. Both options can be vertically or horizontally ducted.

The duct size may be reduced to a minimum 6" round if the ACT™ feature is set to 390 or 290 CFM.

Always use rigid type metal ducts only. Flexible ducts could restrict air flow by up to 50%.

Also use the ducting calculation sheet (on page 8) to compute total available duct run when using elbows, transitions and caps.

ALWAYS, when possible, reduce the number of transitions and turns. If long duct run is required, increase duct size.

If turns or transitions are required; install as far away from hood duct output and as far apart, between the two as possible.

Minimum mount height between range top to hood bottom should be no less than 24".

Maximum mount height should be no higher than 36".


It is important to install the hood at the proper mounting height. Hoods mounted too low could result in heat damage and fire hazard; while hoods mounted too high will be hard to reach and will lose its performance and efficiency.

If available, also refer range manufacturer's height clearance requirements and recommended hood mounting height above range.


For shipment and installation damages:

- ▶ Please fully inspect unit for damage before installation.
- ▶ If the unit is damaged in shipment, return the unit to the store in which it was bought for repair or replacement.
- ▶ If the unit is damaged by the customer, repair or replacement is the responsibility of the customer.
- ▶ If the unit is damaged by the installer (if other than the customer), repair or replacement must be made by arrangement between customer and installer.

Ducting Options

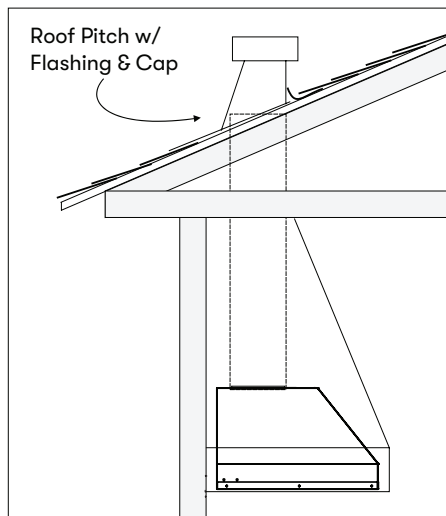
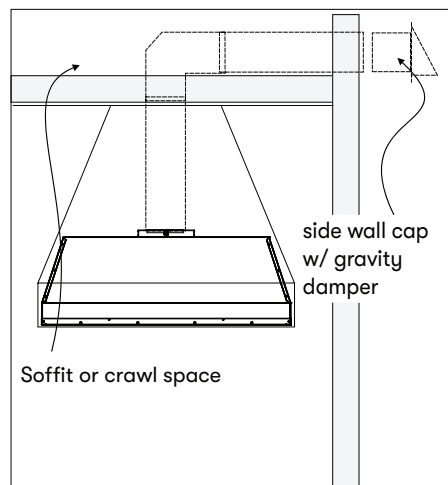
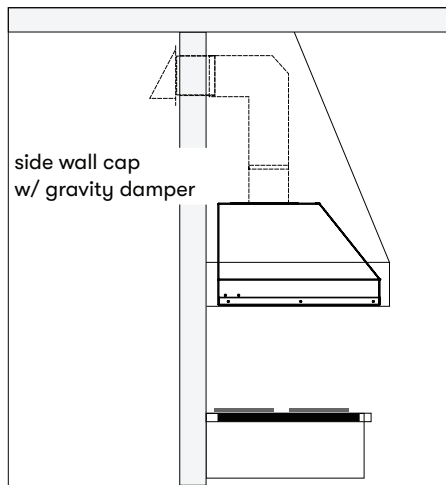


WARNING



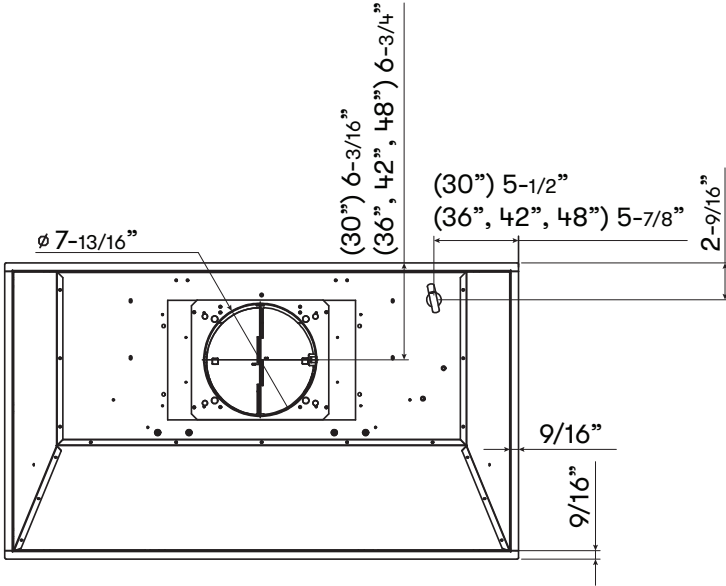
Fire Hazard: NEVER exhaust air or terminate ductwork into spaces between walls, crawl spaces, ceilings, attics, or garages. All exhaust must be ducted to the outside, unless using the recirculating option.

- ▶ Use single wall rigid metal ductwork only.
- ▶ Fasten all connections with sheet metal screws and tape all joints w/ certified Silver Tape or Duct Tape.

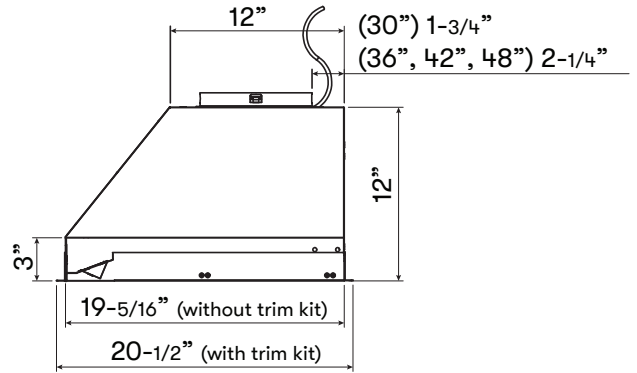


Installation Instructions

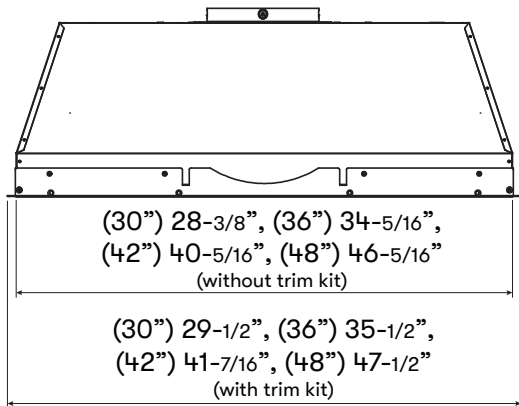
Hood Specifications, AK92-C



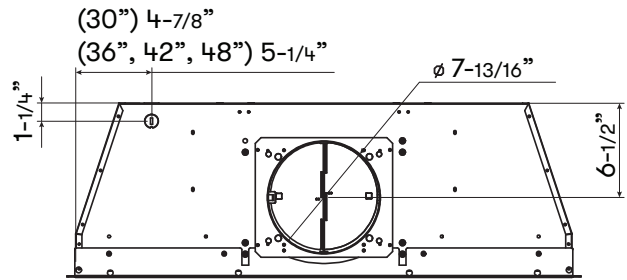
TOP VIEW



SIDE VIEW

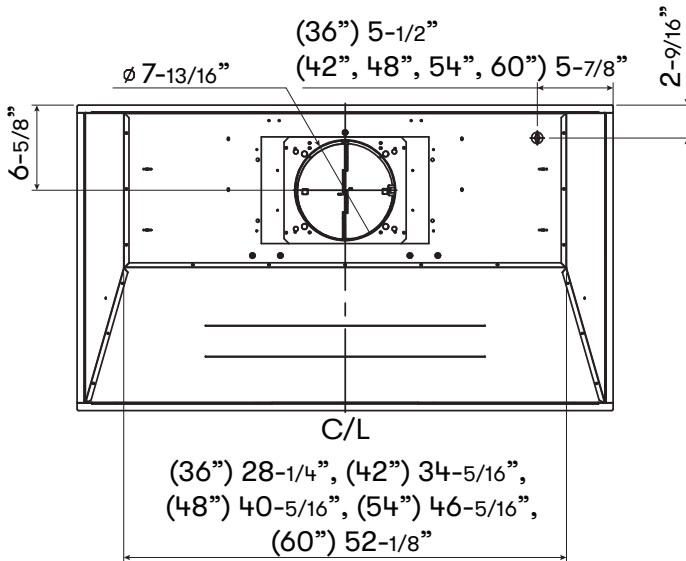


FRONT VIEW

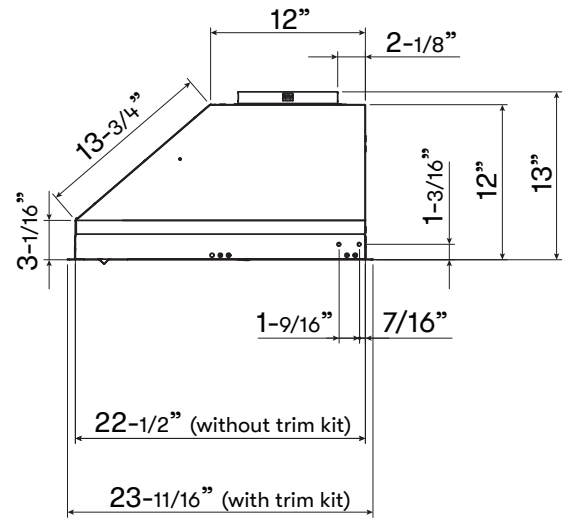


REAR VIEW

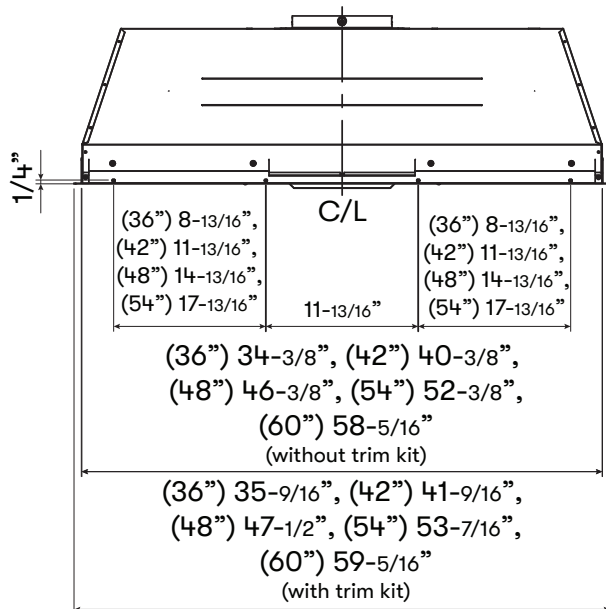
Hood Specifications, AK93-C



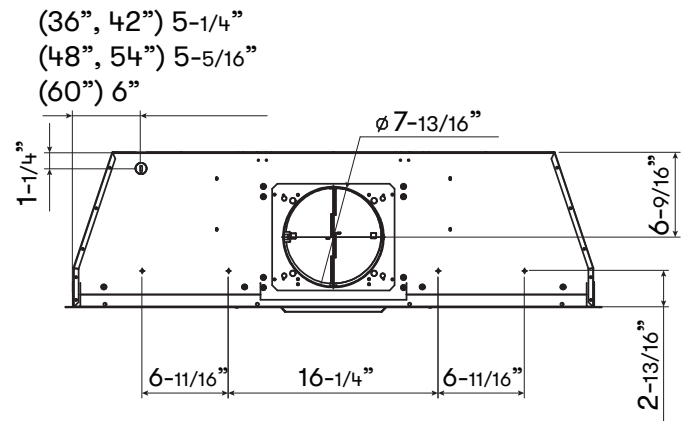
TOP VIEW



SIDE VIEW



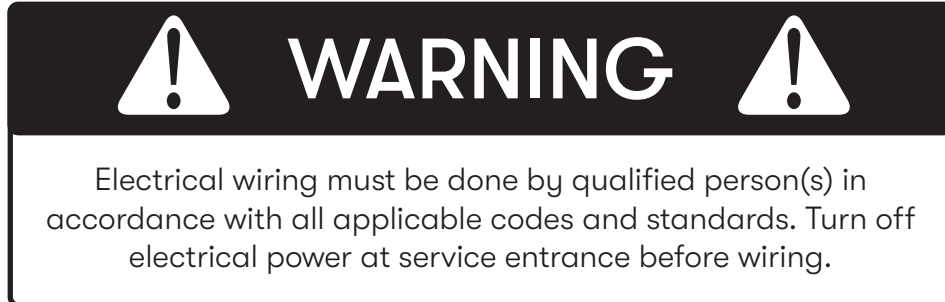
FRONT VIEW



REAR VIEW

Installation Instructions

Electrical Supply



For personal safety, remove house fuse or open circuit breaker before beginning installation. Do not use extension cord or adapter plug with this appliance.

Follow national electrical codes or prevailing local codes and ordinances.

This appliance requires a 120V 60Hz electrical supply, and connected to an individual, properly grounded branch circuit, protected by a 15 or 20 ampere circuit breaker or time delay fuse. Wiring must be 2 wire w/ ground. Please also refer to the Electrical Diagram labeled on product.

Cable Lock

A cable locking connector (not supplied) might be required by local codes. Check with local requirements and codes, purchase and install appropriate connector if necessary. (FIG. A)

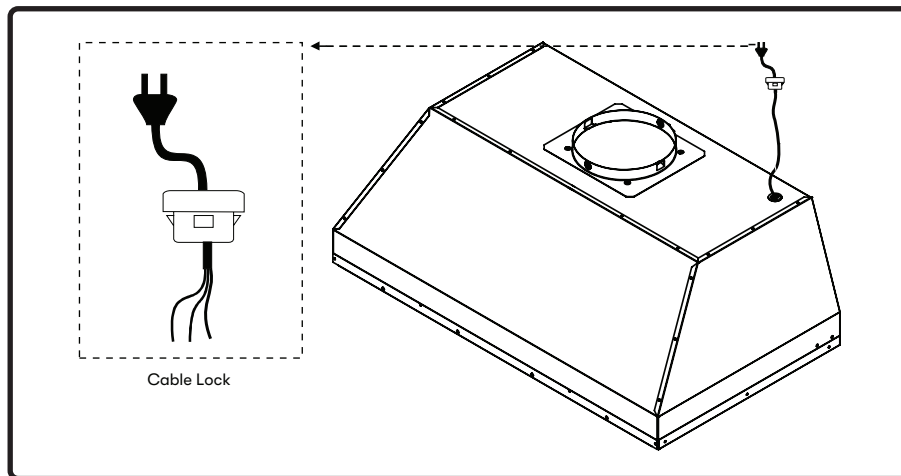


FIG. A

Preparation & Installation

Please determine if the hood insert will be installed with or without a trim kit. A trim kit is provided, but is optional based on installation preferences. If a trim kit is installed, it can be used to cover uneven cutout edges or to eliminate any visible gaps between the hood insert and cabinet. FIG. C shows the hood insert with the trim kit, and FIG. D is without the trim kit. If the trim kit is used, please note that it will affect the cabinet cutout dimensions, please see FIG. E for AK92 and FIG. F for AK93.

NOTE: Using the entirety of the trim kit is not necessary. For example, installing the front and side trim kit pieces are preferred, but the back trim kit piece may not be necessary if the hood insert is installed against the wall. If not all trim kit pieces are used, the cut-out dimensions may vary. Please measure hood properly before making cabinet cut-out.

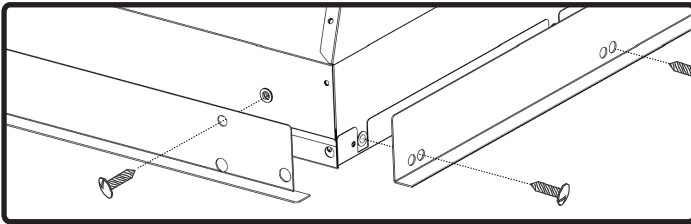


FIG. B

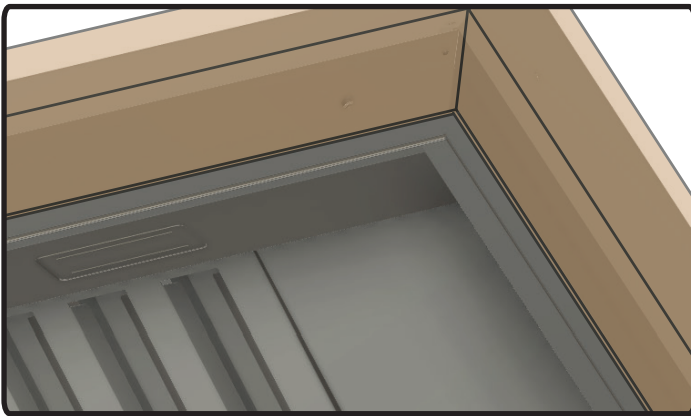


FIG. C



FIG. D

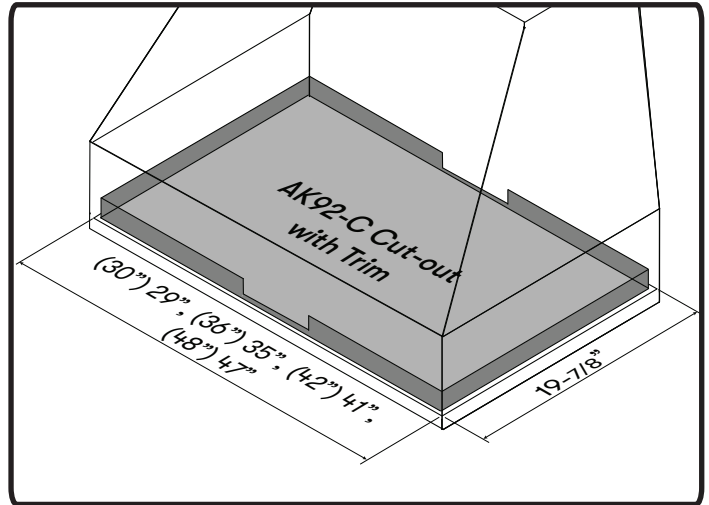


FIG. E

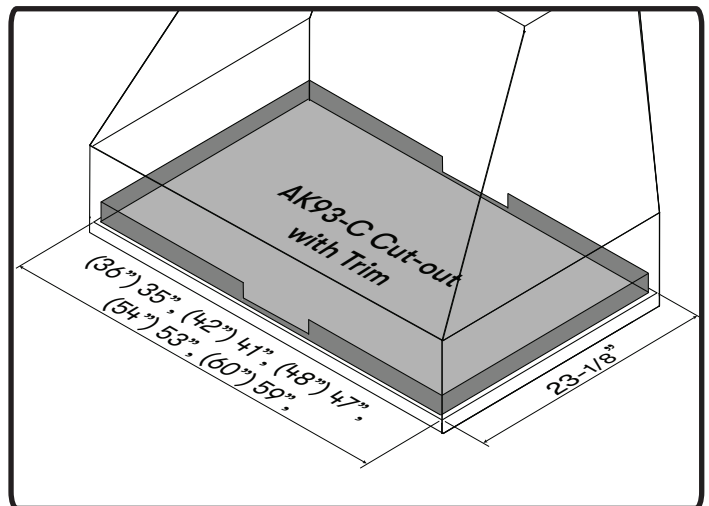


FIG. F

Installation Instructions

Preparation & Installation



CAUTION

At least two installers are required due to the weight and size of the hood insert.

1. Remove all packing materials and protective film prior to installation. Use caution during installation to prevent scratches or damage to the stainless steel.
2. Cut out an opening in the bottom of the cabinet by following the dimensions in FIG. G for AK92 and FIG. H for AK93 if the trim kit is not being used. If the trim kit is used, follow the cut-out measurements from page 15. If ducting the one piece hood insert horizontally, also cut out an 8" round ducting opening in the back of the cabinet (if applicable), FIG. I.
3. Prepare hood insert for installation into cabinet by following the steps on page 18-19 for vertical ducting, pages 20-23 for horizontal ducting, or pages 24-25 for PBD-1200B dual blower installation. Continue to Step 4 after preparation is completed.

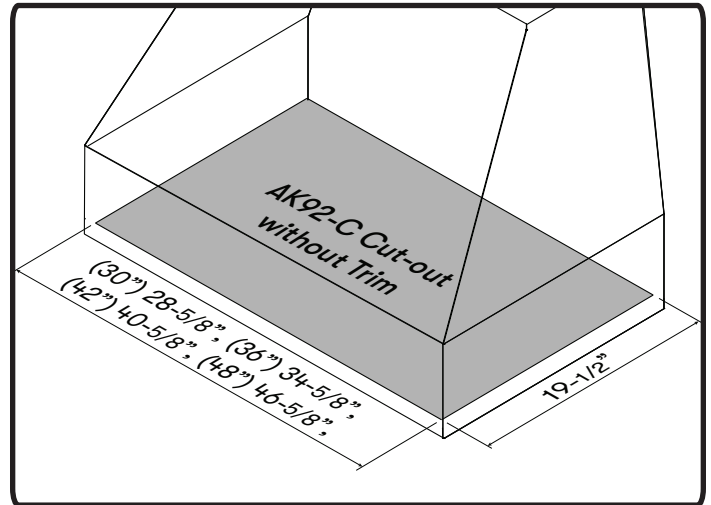


FIG. G

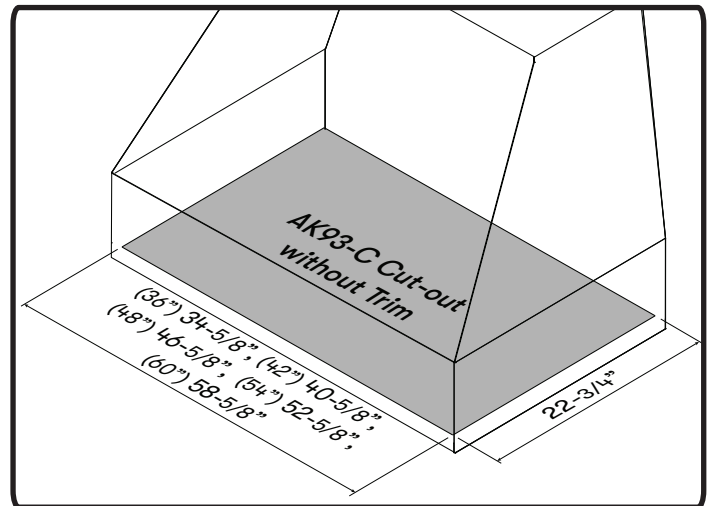


FIG. H



WARNING

Make sure the surface you are securing the hood insert to is capable of holding the weight of AK92 and AK93. Failure to do so may cause personal injury or damage to cooking surface or counter.

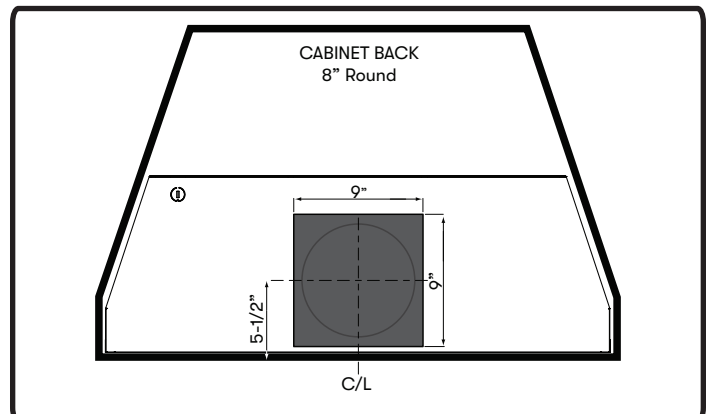


FIG. I

Preparation & Installation

4. Lift hood insert into bottom opening of cabinet and secure to interior of cabinet using (8) #8 x 1/2" stainless steel screws; (4) screws in the front and (4) screws in the sides. FIG. J.
5. Finalize installation of electrical and duct work. Seal duct work with certified aluminum duct tape. Power on hood insert, check for leaks around duct tape and verify proper operation.

NOTE: If access to top of hood insert is not available after installation, electrical and duct work connection may need to be made prior to installing the hood insert.

6. Re-install the previously removed bottom panel, side spacer panels (if applicable), grease tray, and pro baffle filters.

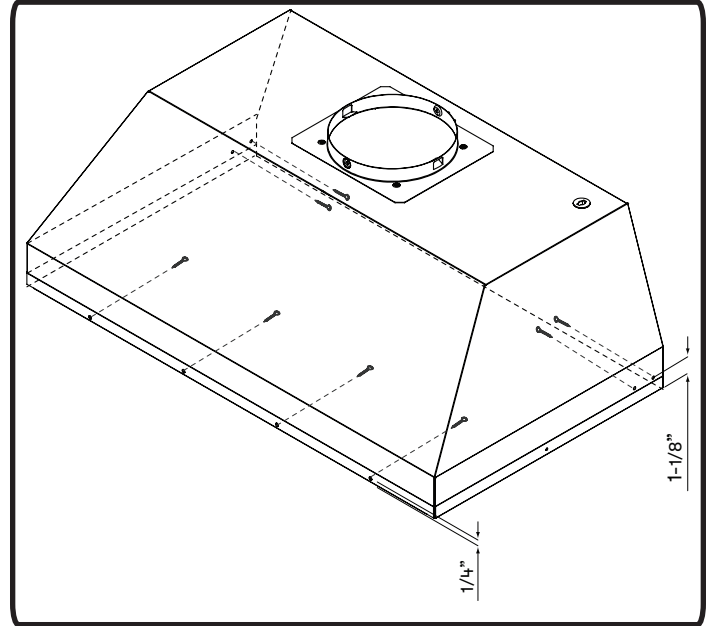
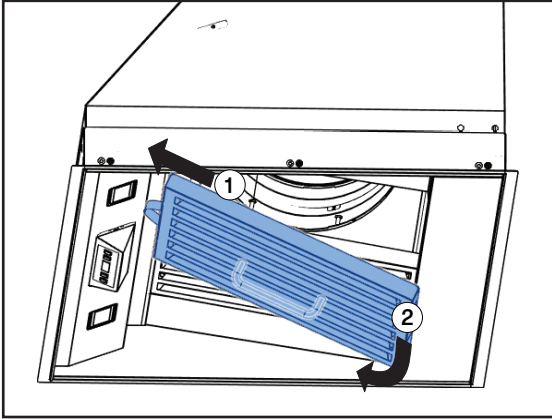


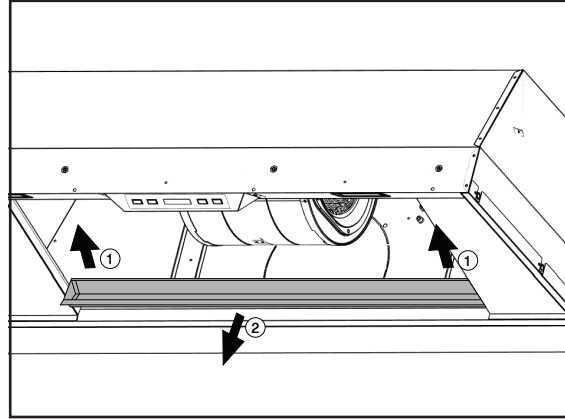
FIG. J

Installation Instructions

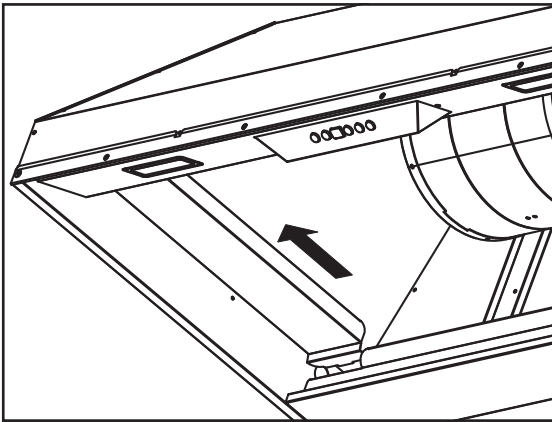
Vertical Ducting Preparation



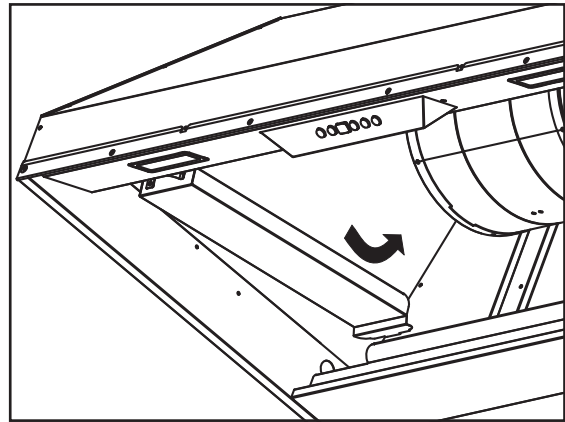
1. Remove pro baffle filters by: 1) Pulling filter toward front of hood insert. 2) Pivoting rear of filter down.



2. Remove grease tray by: 1) Pulling up on tray to release from bottom panel. 2) Lifting tray out of hood insert body.

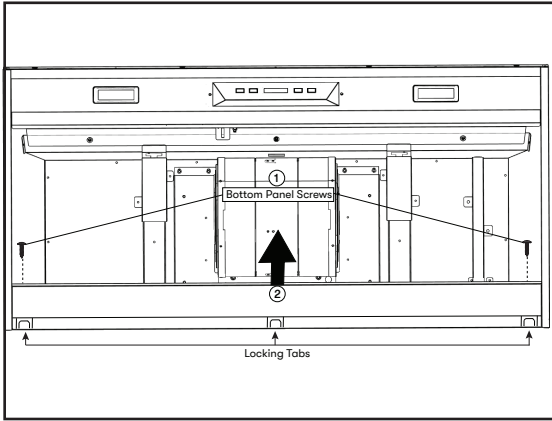


3. The side panels are held in place and aligned with springs for easy removal. Side panels may not be included with every size. Please skip to the next step if your hood insert does not include side panels. Pull side panel towards the front of the hood insert.

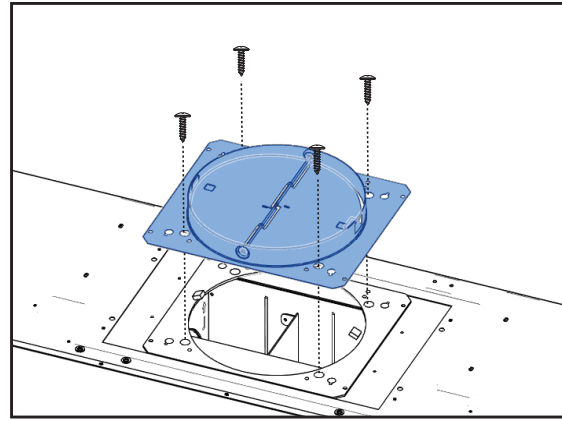


4. Pivot the bottom of the side panel inwards and remove it from the filter channel. Set side panels aside and reinstall them after the hood insert is installed.

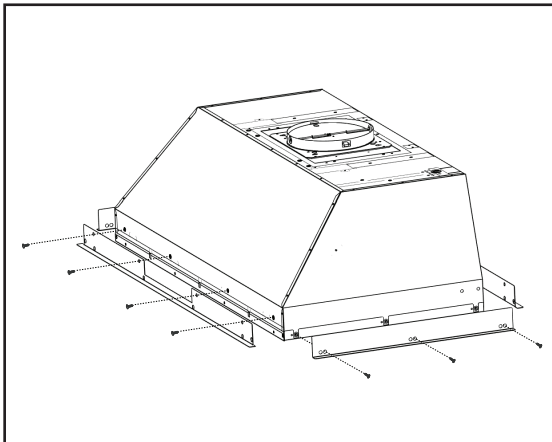
Vertical Ducting Preparation



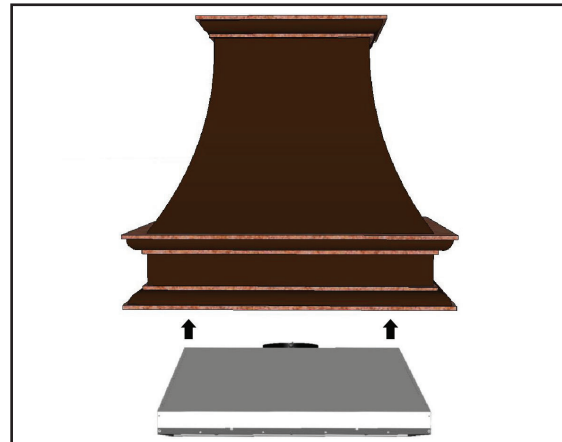
5. Remove bottom panel by: 1) Removing (2) screws from left and right sides of bottom panel. 2) Pulling bottom panel toward front of hood insert to release from locking tabs.



6. Secure 8" round adapter or 10" round adapter to top of hood insert by (4) M4 x 6mm screws.



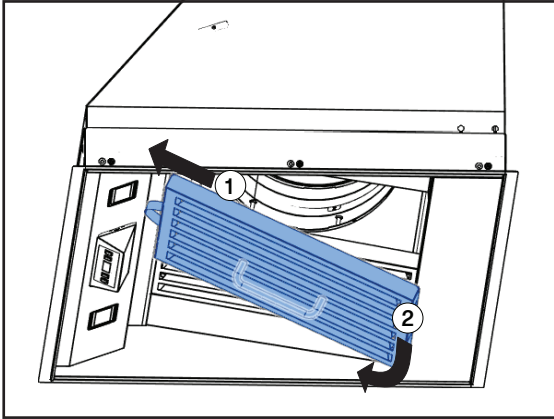
7. Optional: Install the trim kit, the side panels are attached by (3) 3/16" x 3/8" screws each, and the front and rear panels are attached by (4) 3/16" x 3/8" screws each. **NOTE:** Not all the trims need to be installed.



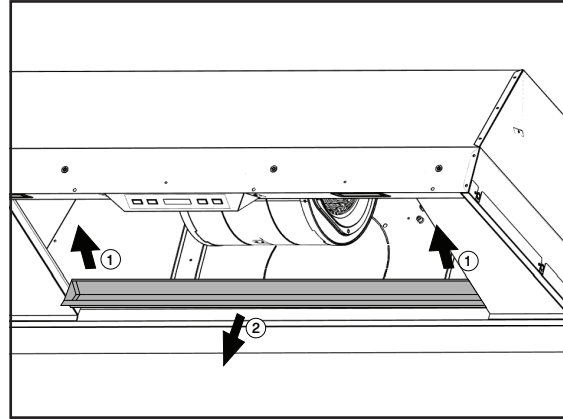
8. Vertical ducting preparation is complete. Refer to page 17, step 4 to complete installation.

Installation Instructions

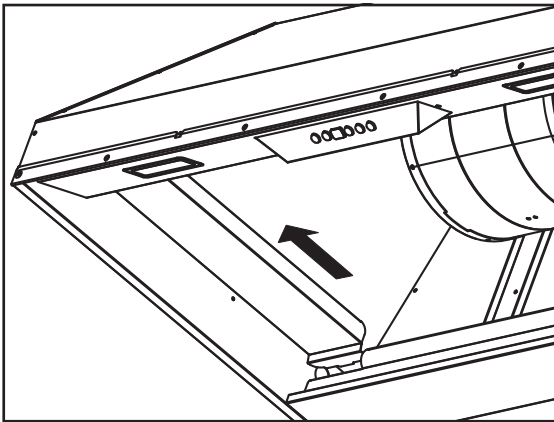
Horizontal Ducting Preparation



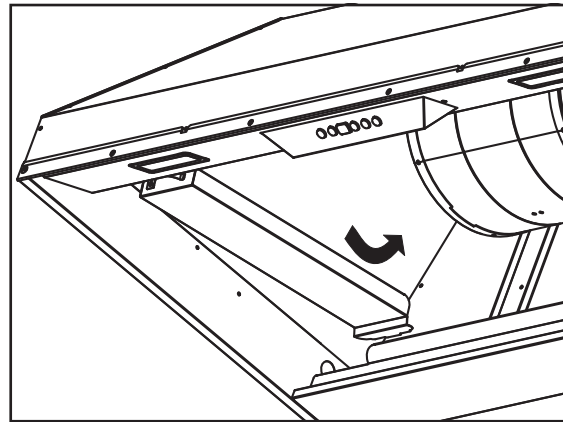
1. Remove pro baffle filters by: 1) Pulling filter toward front of hood insert. 2) Pivoting rear of filter down.



2. Remove grease tray by: 1) Pulling up on tray to release from bottom panel. 2) Lifting tray out of hood insert body.

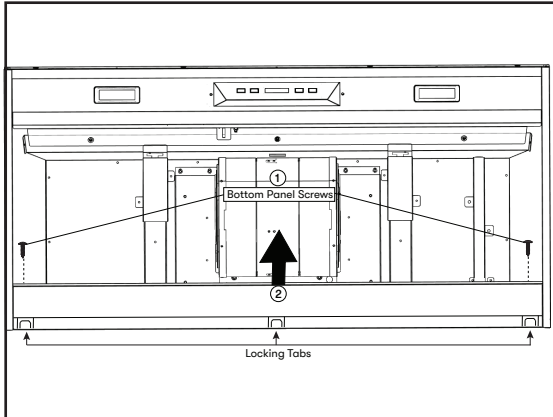


3. The side panels are held in place and aligned with springs for easy removal. Side panels may not be included with every size. Please skip to the next step if your hood insert does not include side panels. Pull side panel towards the front of the hood insert.

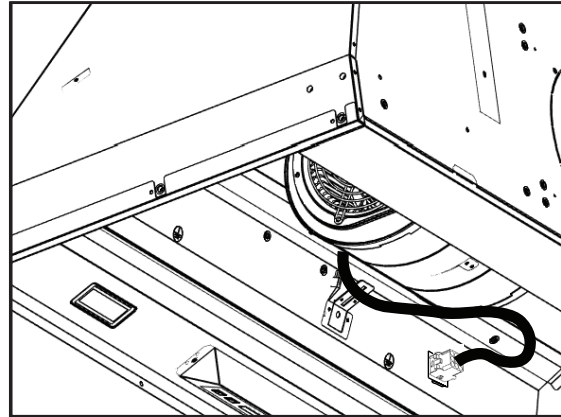


4. Pivot the bottom of the side panel inwards and remove it from the filter channel. Set side panels aside and reinstall them after the hood insert is installed.

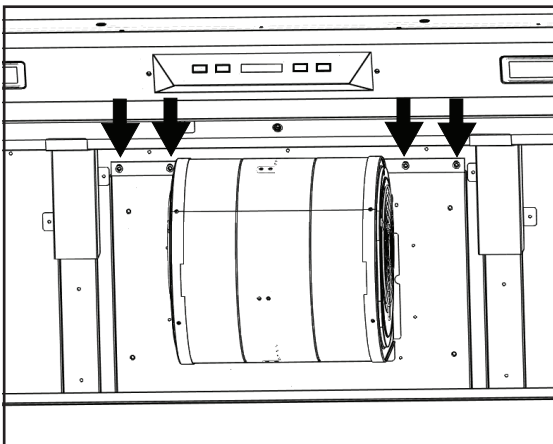
Horizontal Ducting Preparation



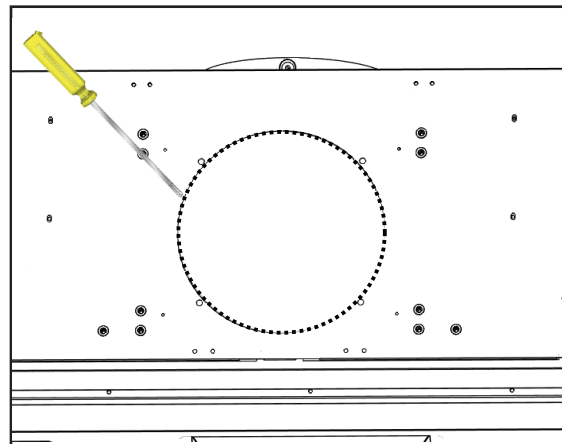
5. Remove bottom panel by: 1) Removing (2) screws from left and right sides of bottom panel. 2) Pulling bottom panel toward front of hood insert to release from locking tabs.



6. Disconnect blower plug from the hood insert.



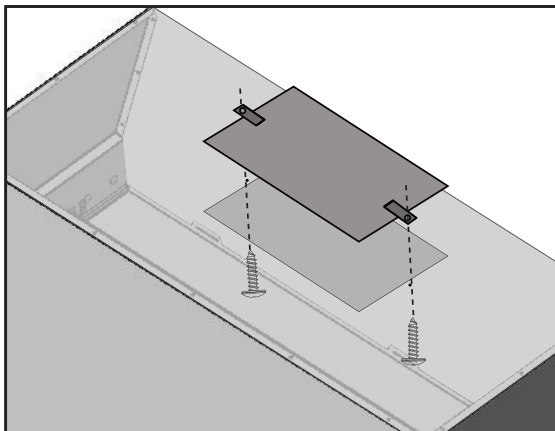
7. Remove the support screw at the top of the hood insert body. Remove (4) screws from interior of hood insert body that attaches single blower plate to top of hood insert body. Remove single blower and single blower plate.



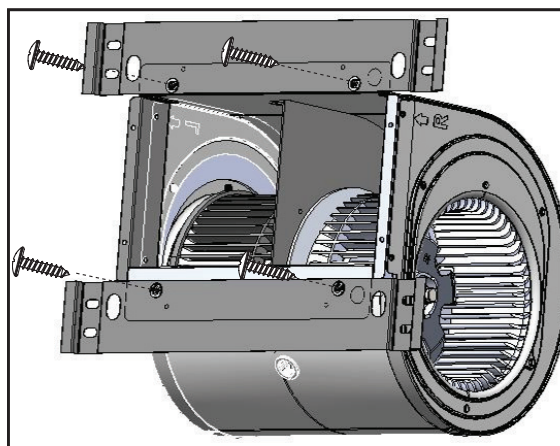
8. Using a flat head screwdriver, remove 8" round knock-out plate at the back of the hood insert.

Installation Instructions

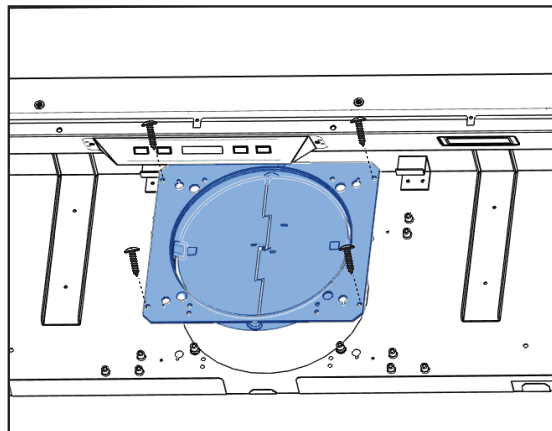
Horizontal Ducting Preparation



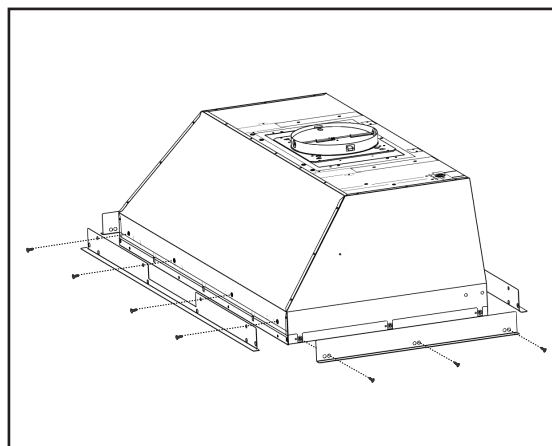
9. Place top rectangular cover plate over opening on top of the hood insert. **NOTE:** Make sure the cover plate tabs are on top of the cover plate as shown. From inside the hood insert, secure plate to top of hood insert with (2) 3/16" x 3/8" screws.



11. Secure (2) horizontal ducting blower brackets to blower as shown above by using the (4) 3/16" x 3/8" screws previously removed from Page 21, Step 7; (2) screws for each bracket.



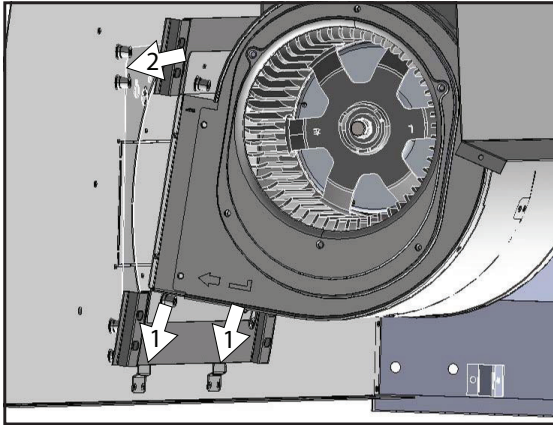
10. From inside the hood insert, push 8" round adapter through the back knock-out and secure to interior back wall of hood insert with (4) M4 x 6mm screws.



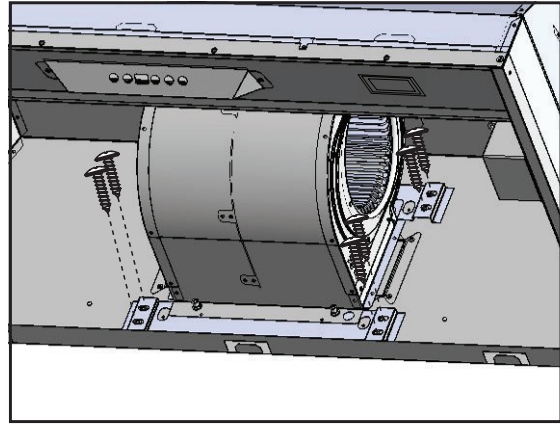
12. Optional: Install the trim kit, the side panels are attached by (3) 3/16" x 3/8" screws each, and the front and rear panels are attached by (4) 3/16" x 3/8" screws each. **NOTE:** Not all the trims need to be installed.

At this point, install the one piece hood insert into the cabinet by following the steps on Page 17, Step 4. After the hood insert installation, continue to page 23.

Horizontal Ducting Preparation



13. Position blower inside hood insert body as shown by: 1) Rest the bottom horizontal ducting bracket on the two support clips located on the interior back wall of the hood insert. 2) Pivot top horizontal ducting bracket to meet captive nuts on interior back wall.



14. Secure blower to captive nuts on interior back wall of hood insert with (8) 3/16" x 3/8" screws, (4) screws for each bracket. Seal any gaps around the knock-out plate by using certified aluminum duct tape. Connect blower plug from the hood insert.

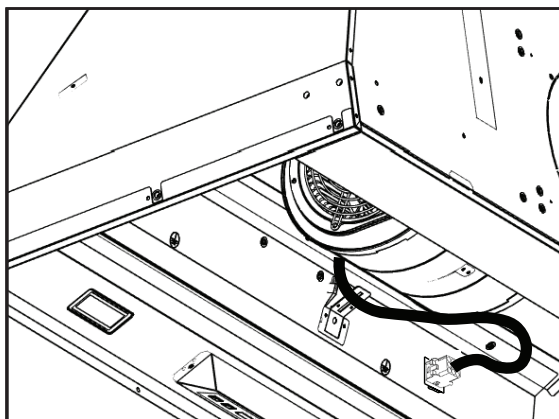
Horizontal ducting preparation is now complete. Refer to Page 17, Step 5 to complete installation.

Installation Instructions

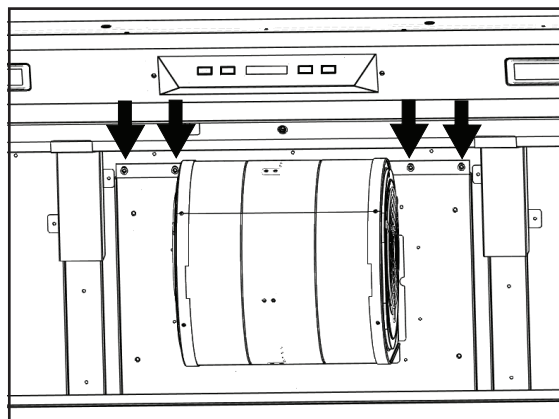
PBD-1200B Dual Blower Installation

This range hood is equipped standard with a single blower vertical duct option. To convert from single blower vertical ducting to dual blower vertical ducting, please follow the instructions below.

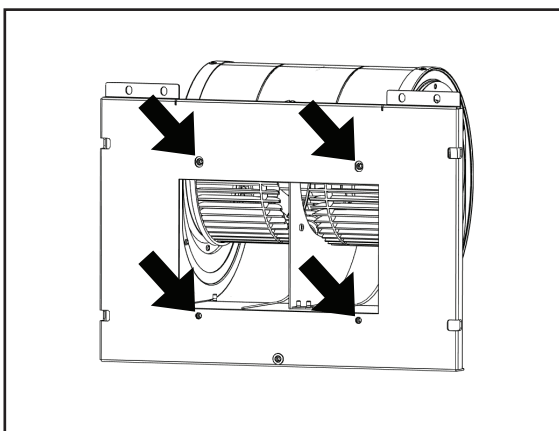
NOTE: AK9228CS is not compatible with PBD-1200B dual blower installation.



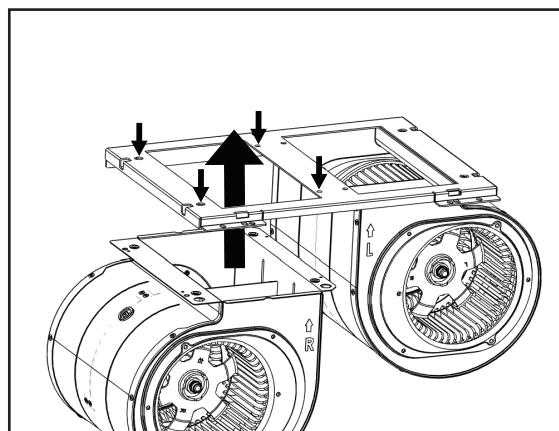
1. Disconnect blower plug from the hood insert.



2. Remove the support screw at the top of the hood insert body. Remove (4) screws from interior of hood insert body that attaches single blower plate to top of hood insert body. Remove single blower and single blower plate.

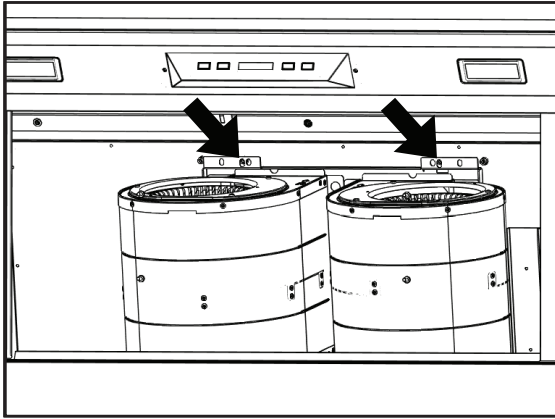


3. Remove (4) screws attaching single blower to single blower plate.

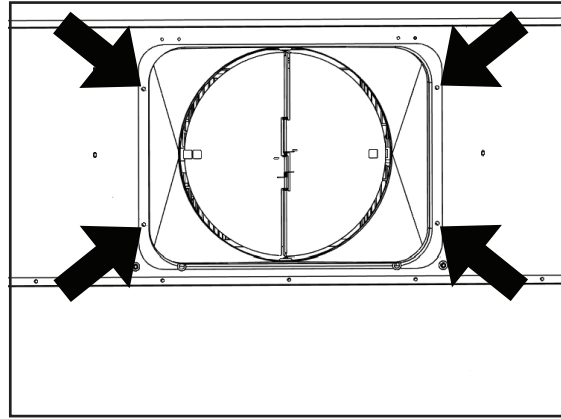


4. Attach single blower to dual blower plate by (4) previously removed screws from step 3.

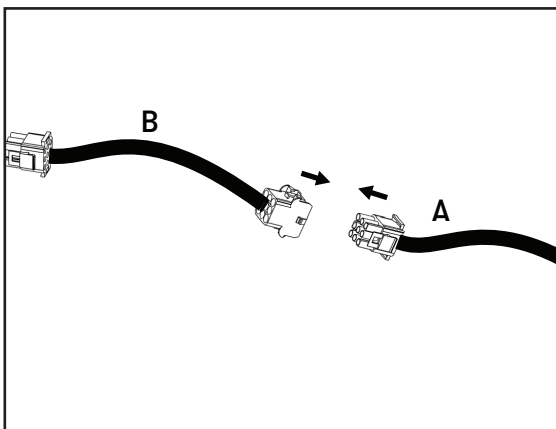
PBD-1200B Dual Blower Installation



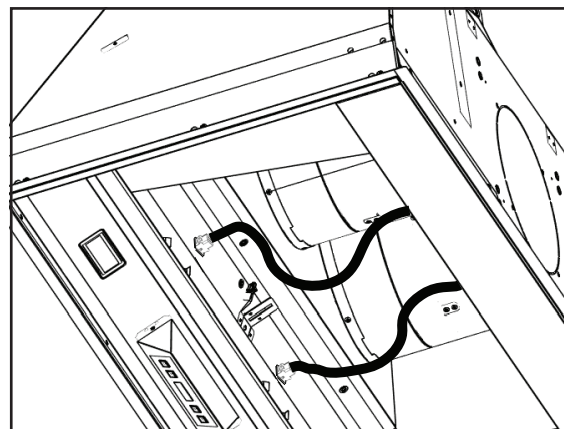
5. Position dual blower inside hood body as shown. Be sure to tuck dual blower plate into blower plate tabs. Secure dual blower by (2) screws previously removed.



6. Attach 10" round blower collar to top of hood body by (4) M4x8 screws.



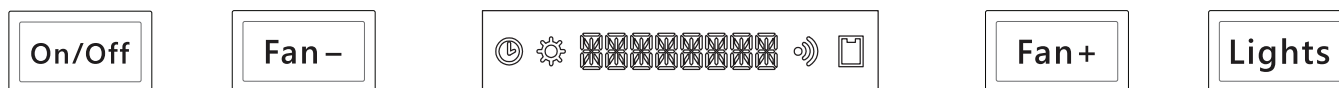
7. Connect blower wire extension cable (B) to the blower plug from the blower (A) for both the new blower and original blower.



8. Connect plugs from each blower to female plugs on the hood insert.

Features & Controls

LCD Touch Controls



1. ON/OFF BUTTON

- ▶ The ON/OFF button will turn the power on and off for the entire hood (fan and lights). The hood has a memory function and will remember the last speed and light level it was turned off at.

NOTE: "HELLO" appears on the LCD (display) for 3 seconds when the hood turns off. "GOODBYE" appears for 3 seconds when the hood turns off.

DELAY OFF FUNCTION: With the fan and/or lights on, press and hold the ON/OFF button for 2 seconds. The fan will change to speed 1, the delay off graphic will illuminate, and the 5 minute delay off timer will begin and be displayed on the LCD. After 5 minutes, the hood will power off.

ACT™ VERIFICATION: Airflow Control Technology (ACT™) allows the installer to set the maximum fan CFM to align with local codes and regulations.

- ▶ To verify the maximum fan CFM, press and hold the ON/OFF button for 3 seconds while the entire hood is powered off. The LCD will display up to four options depending on the settings, "ACT 390", "ACT 290", and "ACT OFF".

2. FAN- BUTTON

- ▶ Press the FAN- button to decrease the fan speeds from 5, 4, 3, 2, 1, off.

GREASE FILTER REMINDER (always enabled): After 60 hours of fan usage, the grease filter graphic will light up on the LCD. When any buttons are pressed, the LCD will initially show the hood status (e.g. Speed 1) before displaying the text "CLEAN GREASE FILTERS HOLD FAN- TO RESET".

- ▶ Press and hold the FAN- button while the entire hood is powered off to reset the grease filter reminder.

3. FAN+ BUTTON

- ▶ Press the FAN+ button to increase the fan speeds from off, 1, 2, 3, 4, 5.

LCD Touch Controls

4. LIGHTS BUTTON

- ▶ Press the LIGHTS button to cycle through the light levels from off, low, and high.

TRUHUE™ FEATURE: TruHue™ allows you to adjust the color temperature of the lighting from warmer to cooler. The available options are 2700K, 3000K, 3500K, 4000K, and 5000K.

- ▶ To adjust the color temperature of the lights, when the hood is powered off, press and hold the LIGHTS button for 3 seconds. The LCD will display 3000K. Press FAN+ or FAN- to adjust the color temperature. While adjusting, the lights will also turn on to match the color temperature referenced on the LCD. Press the LIGHTS button to confirm the temperature and the lights will turn off, or wait 10 seconds for automatic confirmation.

5. CLEAN AIR

- ▶ Clean Air is a feature that turns the fan on every 4 hours for 10 minutes to remove stagnant air in the kitchen.
- ▶ To enable and disable Clean Air, hold FAN- and LIGHTS button simultaneously for 3 seconds while the hood is off.
 - ▶ When enabling, the words "CLN ON" will illuminate and the fan will turn on speed 1 for 10 minutes. After 10 minutes, the fan will turn off and the 4 hour timer will begin. When the fan is activated because of Clean Air, the words "CLEANAIR" will illuminate.
 - ▶ When disabling, the words "CLN OFF" will illuminate, indicating the function has been disabled.
- ▶ If the user changes the fan speed while Clean Air is in use, the feature will stop. If the user presses the ON/OFF button at any time, the 4 hour timer will reset.

6. TEMPGUARD™

- ▶ TempGuard™ is a built-in safety feature that senses excessive heat. TempGuard™ activates when the internal temperature exceeds 130°F. When this happens, the fan speed will automatically change to high, and when the internal temperature drops below 110°F, the fan will automatically turn off.
- ▶ While TempGuard™ is controlling the fan, the user may press the FAN- or FAN+ buttons at any time to override the fan speed. Pressing the ON/OFF button places the insert into manual mode, allowing full manual control of fan speed and power.
- ▶ If no user input is detected for 1 minute, the insert automatically exits manual mode and reactivates the temperature-sensing mode, TempGuard™.

Features & Controls

Optional RF Remote Control

This range hood supports an optional RF remote control that allows you to operate your range hood wirelessly from a distance. The RF remote control is sold separately, and the part number is RC-0002.

FCC Caution

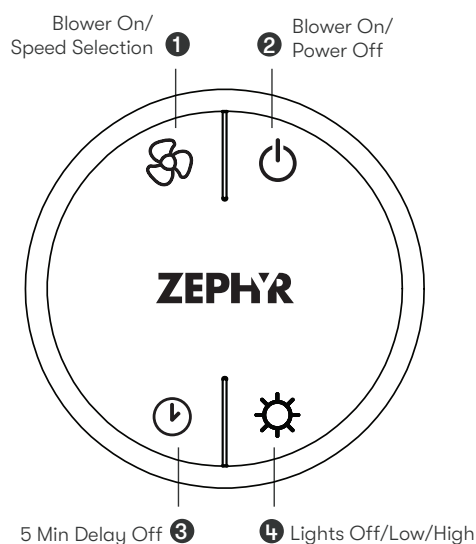
To assure continued compliance, any changes or modifications not expressly approved by the party responsible for compliance could void the user's authority to operate this equipment. (Example - use only shielded interface cables when connecting to computer or peripheral device. This device complies with Part 15 of the FCC Rules. Operation is subject to the following two conditions. (1) This device may not cause harmful interference, and (2) This device must accept any interference received, including interference that may cause undesired operation.

Synchronization

To create a unique link between your hood and remote control please follow these steps.

1. With hood off, press and hold the ON/OFF and LIGHTS button for 3 seconds. The text "PAIRING" will appear on the LCD. Pairing mode will remain active for 60 seconds or until a remote control has been paired. Pressing the ON/OFF button will cancel pairing mode.
2. Press a button on the remote, and the remote control will be synchronized with the hood.

RF Remote Control Functions



1 Blower On / Speed Selection

Press to power on blower and cycle through all speeds.

2 Blower On / Power Off

By pressing , the blowers will power on at the last speed setting. Press again and the entire hood will power off, including lights.

3 Delay Off

By pressing , the blower and lights will enter Delay Off mode. The blower will change to speed 1 and a 5 minute timer will begin counting down.

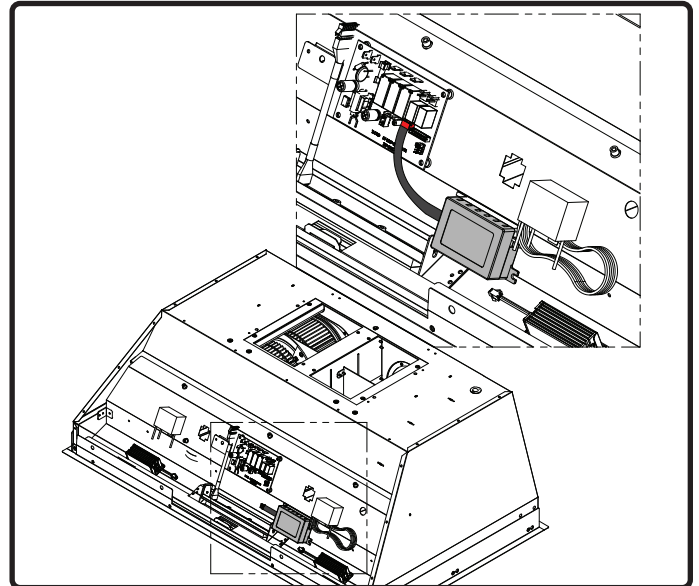
4 Lights Off/Low/High

Switch between light levels by pressing . Turn off the lights by cycling through the different light levels. To adjust the color temperature, press and hold for 3 seconds. Press to cycle through the temperatures and press again to save the setting.

Optional RF Remote Control

RF Remote Installation Location

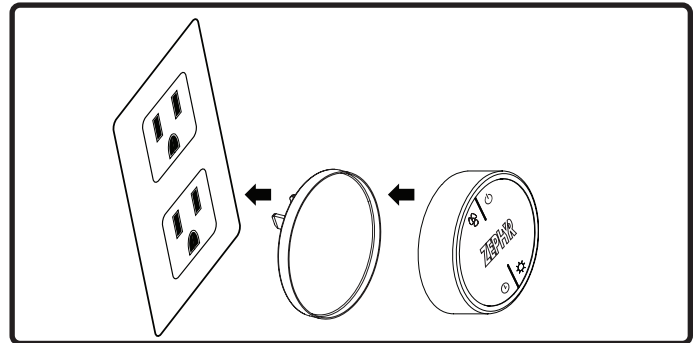
The installation location of RC-0002 is located near the control board, FIG. K. Remove the pro baffle filters, side panels (if applicable), and light panel to access the control board. Connect the red connector with black wiring from RC-0002 to the control board and mount the accessory nearby the control board with adhesives. The blue antenna wire needs to be extended for optimal signal. There is no need to secure it.

**FIG. K**

RF Remote Features

The RF remote control is equipped with a magnet on the back for easy storage. The remote may be placed on any magnetic surface such as a refrigerator or the Zephyr remote holder, FIG. L. The remote holder can be inserted into a standard electrical outlet for easy storage. Note: The remote holder does not charge the RF remote.

Maximum remote control communication distance is 15 feet from the range hood.

**FIG. L**

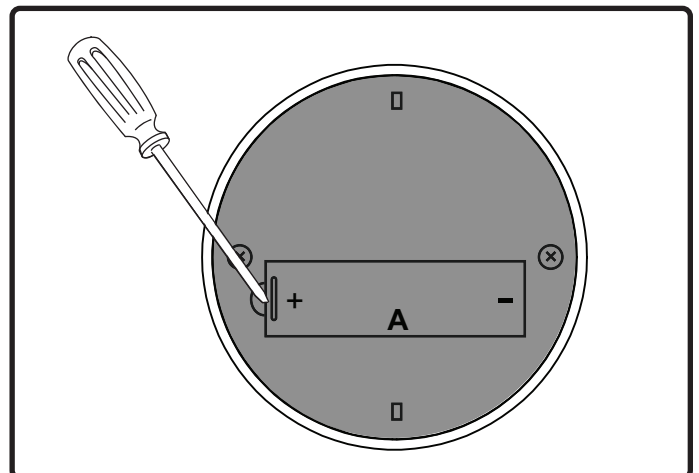
RF Remote Maintenance

Clean the remote control using non abrasive detergents.

Follow instructions below for replacing battery. Using a small flat head screwdriver, raise the cover of the battery door (A) in order to access the battery compartment. FIG. M.

Remove the battery and replace with battery type A23 12V. Negative end of battery should face the spring inside the remote.

Re-install battery door and recycle old battery.

**FIG. M**

Maintenance

Hood & Filter Cleaning

Surface Maintenance

- ▶ Do not use corrosive detergents, abrasive detergents or oven cleaners.
- ▶ Do not use any product containing chlorine bleach or any product containing chloride.
- ▶ Do not use steel wool or abrasive scrubbing pads which will scratch and damage surface.

Cleaning Stainless Steel

Clean periodically with warm soapy water and clean cotton cloth or micro fiber cloth. Always rub in the direction of the stainless steel grain. To remove heavier grease build up use a liquid degreaser detergent.

After cleaning use a non-abrasive stainless steel polish/cleaners, to polish and buff out the stainless luster and grain. Always scrub lightly, with clean cotton cloth or micro fiber cloth and buff in the direction of the stainless steel grain.

Cleaning the Pro Baffle Filters

The filters are intended to trap residue and grease from cooking. Although the filters should never need replacing, they are required to be cleaned every 30 days.

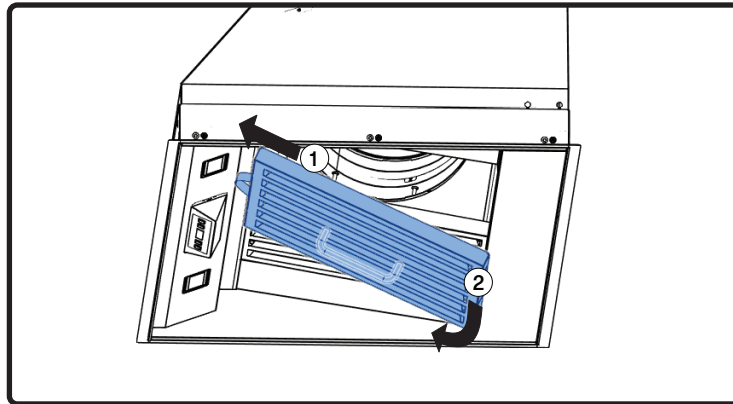
Filters may be placed in dishwasher at low heat or soaked in hot soapy water. Dry filters and re-install before using hood.

Cleaning the Grease Tray

The grease tray is intended to catch residue and grease that may drip from the pro baffle filters. The grease tray should be cleaned when pro baffle filters are cleaned. Clean the grease tray by soaking in hot soapy water and gently scrubbing any residue off with a soft terry cloth. Dry grease tray and re-install before using hood.

Removing the Pro Baffle Filters, FIG. N:

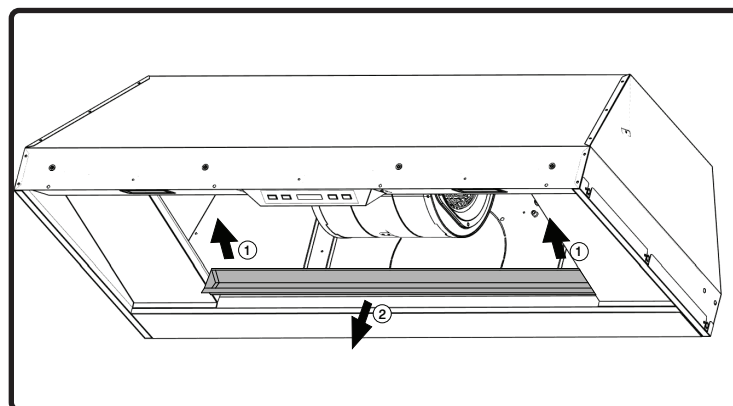
1. Pull filter towards front of range hood using handles.
2. Pivot rear of filter downward.
3. Remove filter by pulling away from hood.

**FIG. N****Removing the Grease Tray**

Grease tray has a hooked lip that attaches to bottom panel top edge.

Remove grease tray by:

1. Pull up on tray to release from bottom panel. FIG. O1
2. Pull tray out of hood insert body. FIG. O2

**FIG. O**

Maintenance

LumiLight LED

In the unlikely event that your LumiLight LED fails, please contact Zephyr to order replacement parts.

See the list of parts and accessories page for part numbers and contact information.

LED Removal (FIG. P):

1. Remove pro baffle filters.
2. Remove light panel by (5) screws.
3. Disconnect LED light quick connector.
4. Push in the two side clips on the ends of the LED light.
5. Push LED light through the light panel opening.

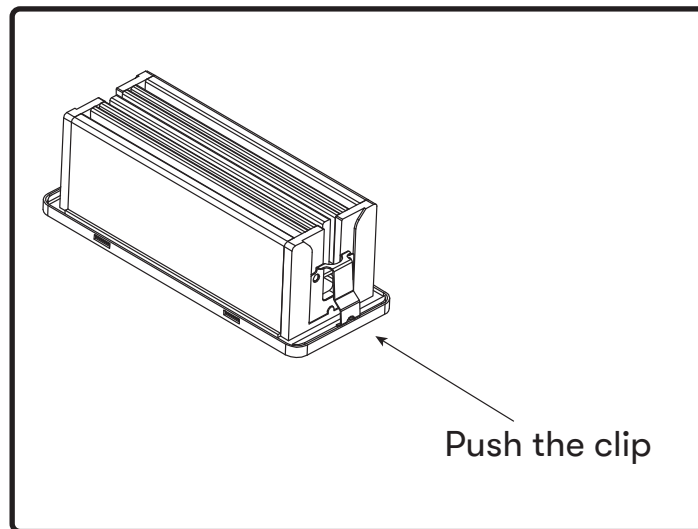


FIG. P

Airflow Control Technology (ACT™)

Some local codes limit the maximum amount of CFM a range hood can move. ACT™ allows you to control the maximum blower CFM of select Zephyr Ventilation range hoods without the need for expensive make up air kits. ACT™ enables the installer to easily set the maximum blower speed to one of two most commonly specified CFM levels; 390 or 290 CFM. The usage of ACT™ may not be necessary for your installation. Please check your local codes for CFM restrictions.

ACT™ is not available with 1200 CFM dual internal blower option.



CAUTION



Hood must be disconnected from the main power prior to performing the conversion instructions listed below. Failure to do so could result in personal injury or damage to the product.



CAUTION



After re-positioning the jumper and powering on the hood, the CFM cannot be changed again.

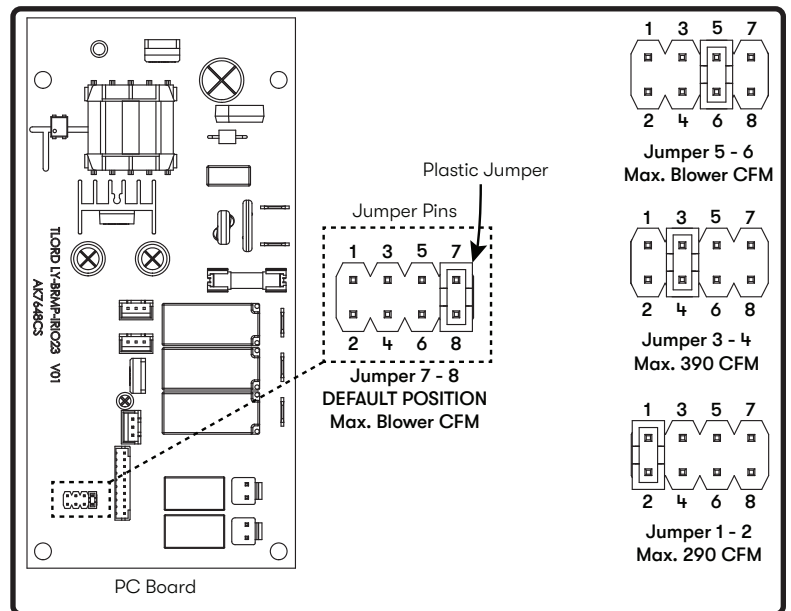
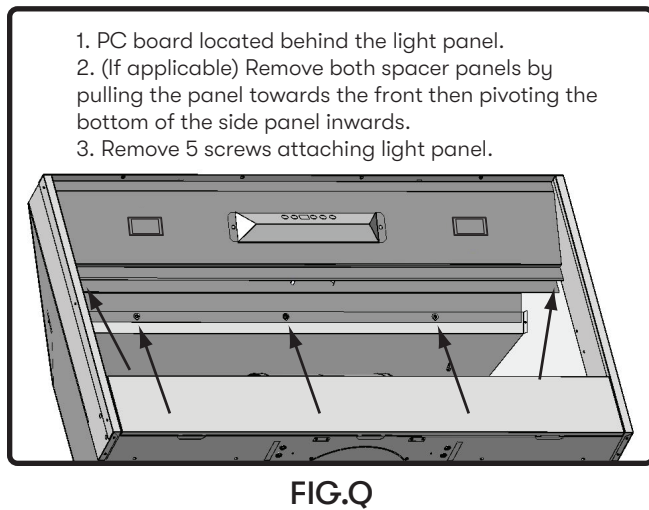
Enabling ACT™

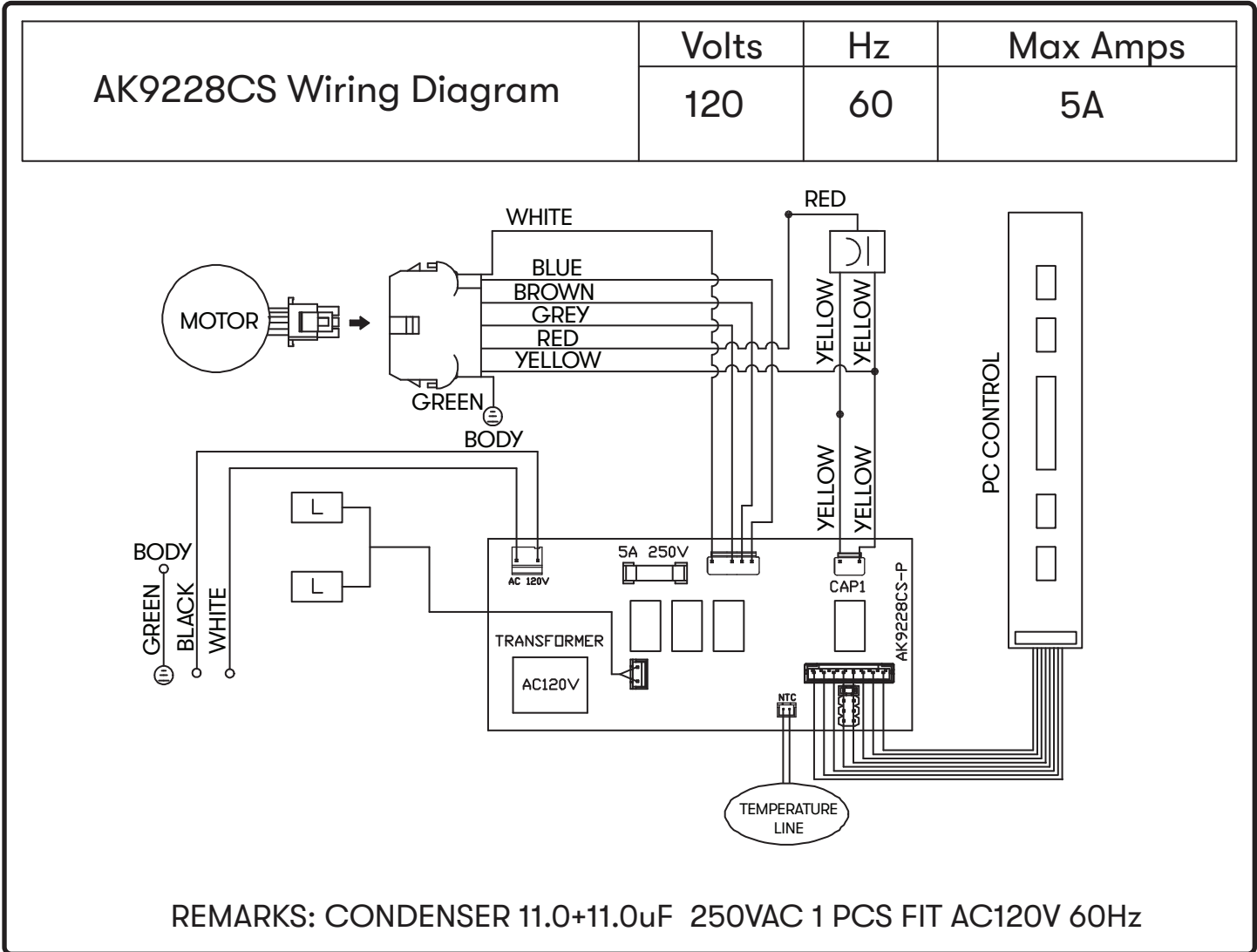
To enable ACT™:

1. Before hood installation, gain access to PC board by following the steps shown on FIG. Q.
2. Change plastic jumper positioning as shown in FIG. R to set the desired maximum blower CFM.
3. Re-install PC board and continue with hood installation.
4. Remove the appropriate foil CFM sticker included with the hood literature and place inside the hood body below the wiring diagram or in another clearly visible location.

To verify if your installer enabled ACT™:

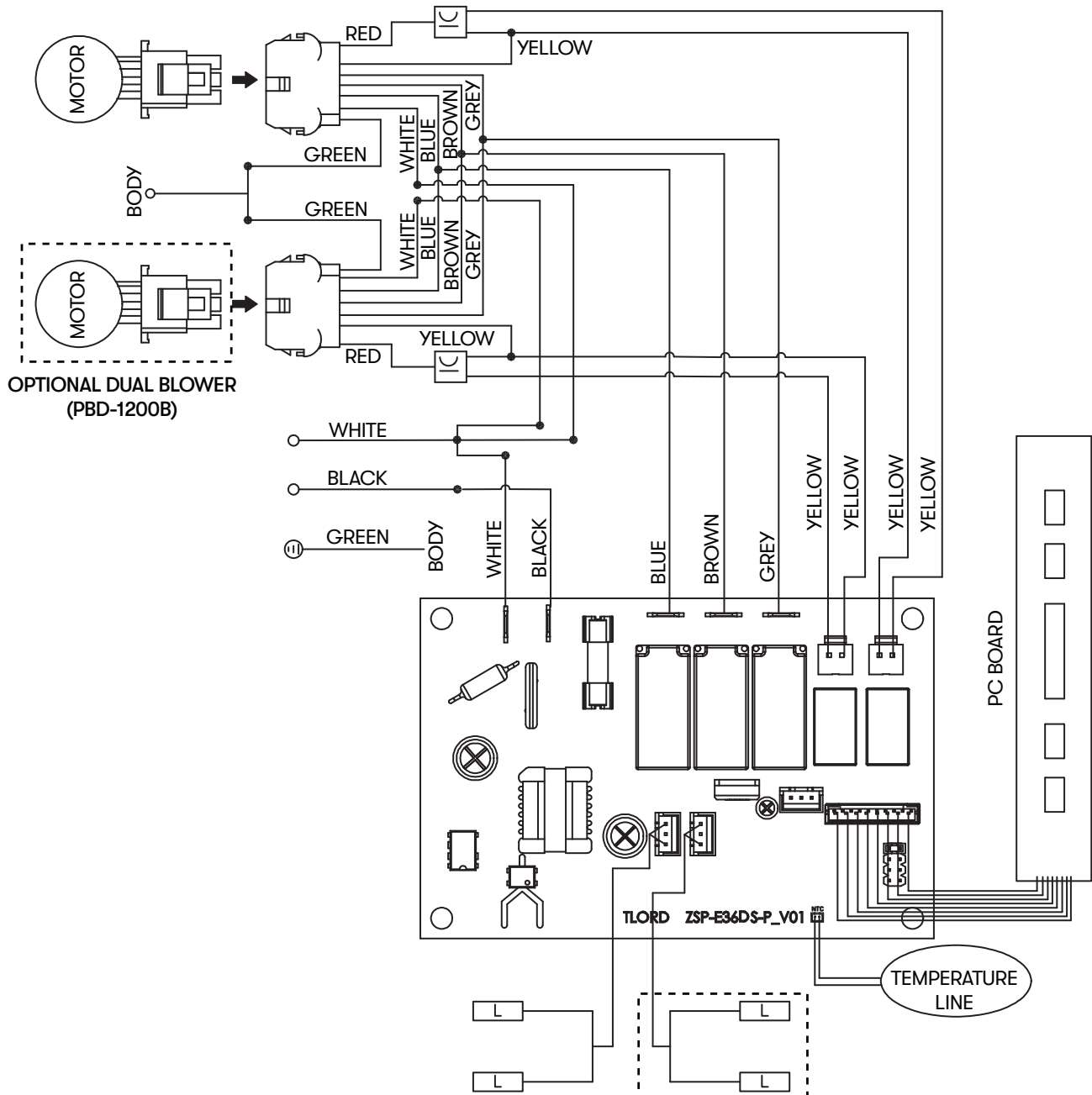
1. With hood off, hold the ON/OFF button for 3 seconds. If ACT™ is enabled, the LCD will either display “ACT 390” or “ACT 290”. If ACT™ is disabled, the LCD will display “ACT OFF”.
2. When ACT™ is enabled, the number of blower speeds will be reduced.
3. There should also be a foil label located inside the hood body near the wiring diagram that indicates the blower CFM.





Wiring Diagram

AK92 and AK93 Wiring Diagram	Volts	Hz	Max Amps	
	120	60	Single Motor	5A
			Dual Motor	9A



AK92: 48" MODELS ONLY
 AK93: 48", 54", 60" MODELS ONLY

REMARKS: CONDENSER 11.0+11.0uF*2 250VAC FIT AC120V 60Hz

Possible Problem	Possible Cause	Solutions
After installation, the unit doesn't work.	The power source is not turned ON.	Make sure the circuit breaker and the unit's power is ON.
	The power line and the cable locking connector is not connecting properly.	Check the power connection with the unit is connected properly.
	The switch board or control board wirings are disconnected.	Make sure the wirings at the switch board and control board are connected properly.
	The switch board or control board is defective.	Change the switch board or control board.
	The wires on control board are loose.	Make sure the wires on the control board are connected properly.
Light works, but blower is not turning.	The blower wire is not connected.	Make sure the blower wire is plugged into the molex connector.
	The thermally protected system detects if the blower is too hot to operate and shuts the blower down.	The blower will function properly after the thermally protected system cool down.
	Damaged capacitor.	Change the capacitor.
	Blower molex plug pin is not making contact.	Disconnect the blower molex plug, check pins inside plug to see if pin is pushed inside the plug too far. Reset pin if needed.
	The blower is defective, possibly seized.	Change the blower.
The unit is vibrating.	The blower is not secured in place.	Tighten the blower in place.
	Damaged blower wheel.	Replace the blower.
	The hood is not secured in place.	Check the installation of the hood.
The unit is whistling.	A filter is not in the correct position.	Adjust the filters until the whistling stops.
	The duct pipe connections are not sealed or connected properly.	Check the duct pipe connections to be sure all connections are sealed properly.
The blower is working, but the lights are not.	The LED light connector is disconnected.	Connect the LED light connector.
	Defective LED light.	Change the LED light.
	The switch board or control board is defective.	Change the switch board or control board.

Troubleshooting

Possible Problem	Possible Cause	Solutions
The hood is not venting out properly.	Using the wrong size of ducting.	Change the ducting to the correct size
	The hood might be hanging too high from the cook top.	Adjust the distance between the cook top and the bottom of the hood within 24" and 36" range.
	The wind from the opened windows or opened doors in the surrounding area are affecting the ventilation of the hood.	Close all the windows and doors to eliminate the outside wind flow.
	Blockage in the duct opening or ductwork.	Remove all the blocking from the duct work or duct opening.
The unit turns on by itself.	A spot light is shining directly onto the switch controls.	The switch controls are light sensitive. A direct light source onto the switch controls may disrupt switch functions.
	TempGuard™ activates after sensing an excessive amount of heat, e.g. heat retained from burner or external heat sources.	Allow the range hood blower to run until the internal temperature returns to a safe level.
Filter is vibrating	Filter is loose.	Adjust or change the filter.
	Spring clip is broken on the filter.	Change the spring clip.
RF Remote control does not work.	Battery is dead.	Replace battery with type A23 12v.
	Poor communication with the hood insert.	Remote control must be within 15 ft of hood insert.
	RF Remote lost communication with the hood insert.	Reset hood insert and remote by switching power off at the circuit breaker for 5 minutes. Place remote on counter top near the hood insert and switch the circuit breaker back on.

Description	Part Number
Replacement Parts	
LumiLight LED, 6W	ZOB0067
Pro Baffle Filter, AK92C (each)	50210013
Pro Baffle Filter, AK93C (each)	50210038
RF Remote Control	RC-0002
Optional Accessories	
Make-up Air Kit (600 CFM)	MUA006A
Make-up Air Kit (1200 CFM)	MUA010A

To order parts, visit us online at <http://store.zephyronline.com>.

TO OBTAIN SERVICE UNDER WARRANTY OR FOR ANY SERVICE RELATED QUESTIONS**United States Customers please call: 1-888-880-8368 or contact us at: zephyronline.com/contact****Canada Customers please call: 1-888-812-8311 or Email: ven-tech@broan.com**

Zephyr Ventilation, LLC (referred to herein as “we” or “us”) warrants to the original consumer purchaser (referred to herein as “you” or “your”) of Zephyr products (the “Products”) that such Products will be free from defects in materials or workmanship as follows:

Three Year Limited Warranty for Parts: For three years from the date of your original purchase of the Products, we will provide, free of charge, Products or parts (including LED light bulbs, if applicable) to replace those that failed due to manufacturing defects subject to the exclusions and limitations below. We may choose, in our sole discretion, to repair or replace parts before we elect to replace the Products.

One Year Limited Warranty for Labor: For one year from the date of your original purchase of the Products, we will provide, free of charge, the labor cost associated with repairing the Products or parts to replace those that failed due to manufacturing defects subject to the exclusions and limitations below. After the first year from the date of your original purchase, you are responsible for all labor costs associated with this warranty.

Warranty Exclusions: This warranty covers only repair or replacement, at our option, of defective Products or parts and does not cover any other costs related to the Products including but not limited to: (a) normal maintenance and service required for the Products and consumable parts such as fluorescent, incandescent or halogen light bulbs, mesh and charcoal filters and fuses; (b) any Products or parts which have been subject to freight damage, misuse, negligence, accident, faulty installation or installation contrary to recommended installation instructions, improper maintenance or repair (other than by us); (c) commercial or government use of the Products or use otherwise inconsistent with its intended purpose; (d) natural wear of the finish of the Products or wear caused by improper maintenance, use of corrosive and abrasive cleaning products, pads, and oven cleaner products; (e) chips, dents or cracks caused by abuse or misuse of the Products; (f) service trips to your home to teach you how to use the Products; (g) damage to the Products caused by accident, fire, floods, acts of God; or (h) Custom installations or alterations that impact serviceability of the Products. If you are outside our service area, additional charges may apply for shipping costs for warranty repair at our designated service locations and for the travel cost to have a service technician come to your home to repair, remove or reinstall the Products. After the first year from the date of your original purchase, you are also responsible for all labor costs associated with this warranty. All Products must be installed by a qualified professional installer to be eligible for warranty repairs or service.

Limitations of Warranty. OUR OBLIGATION TO REPAIR OR REPLACE, AT OUR OPTION, SHALL BE YOUR SOLE AND EXCLUSIVE REMEDY UNDER THIS WARRANTY. WE SHALL NOT BE LIABLE FOR INCIDENTAL, CONSEQUENTIAL OR SPECIAL DAMAGES ARISING OUT OF OR IN CONNECTION WITH THE USE OR PERFORMANCE OF THE PRODUCTS. THE EXPRESS WARRANTIES IN THE PRECEDING SECTION ARE EXCLUSIVE AND IN LIEU OF ALL OTHER EXPRESS WARRANTIES. WE HEREBY DISCLAIM AND EXCLUDE ALL OTHER EXPRESS WARRANTIES FOR THE PRODUCTS, AND DISCLAIM AND EXCLUDE ALL WARRANTIES IMPLIED BY LAW, INCLUDING THOSE OF MERCHANTABILITY AND FITNESS FOR A PARTICULAR PURPOSE.

Some states or provinces do not allow limitations on the duration of an implied warranty or the exclusion or limitation of incidental or consequential damages, so the above limitations or exclusions may not apply to you. To the extent that applicable law prohibits the exclusion of implied warranties, the duration of any applicable implied warranty is limited to the same three-year and one-year periods described above if permitted by applicable law. Any oral or written description of the Products is for the sole purpose of identifying the Products and shall not be construed as an express warranty. Prior to using, implementing or permitting use of the Products, you shall determine the suitability of the Products for the intended use, and you shall assume all risk and liability whatsoever in connection with such determination. We reserve the right to use functionally equivalent refurbished or reconditioned parts or Products as warranty replacements or as part of warranty service. This warranty is not transferable from the original purchaser and only applies to the consumer residence where the Product was originally installed located in the United States and Canada. This warranty is not extended to resellers.

To Obtain Service Under Limited Warranty: To qualify for warranty service, you must: (a) notify us at the address or telephone number stated below within 60 days of the discovery of the defect; (b) give the model number and serial number; and (c) describe the nature of any defect in the Product or part. At the time of the request for warranty service, you must present evidence of your proof of purchase and proof of the original purchase date. If we determine that the warranty exclusions listed above apply or if you fail to provide the necessary documentation to obtain service, you will be responsible for all shipping, travel, labor and other costs related to the services. This warranty is not extended or restarted upon warranty repair or replacements.

Please check our website for any additional Product information, www.zephyronline.com

Zephyr, 2277 Harbor Bay Parkway, Alameda, CA 94502

Product Registration

Congratulations on the purchase of your Zephyr product! Please take a moment to register your new Zephyr product at www.zephyronline.com/registration

IT'S IMPORTANT

Prompt registration helps in more ways than one.

- Ensures warranty coverage should you need service.
- Ownership verification for insurance purposes.
- Notification of product changes or recalls.



Zephyr Ventilation | 2277 Harbor Bay Pkwy. | Alameda, CA 94502 | 1.888.880.8368