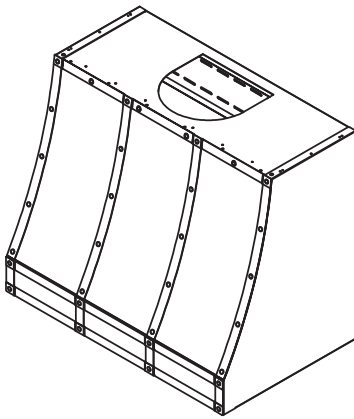
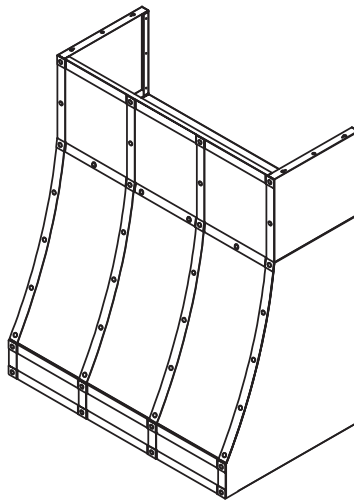


Forte Custom Hood Installation Instructions

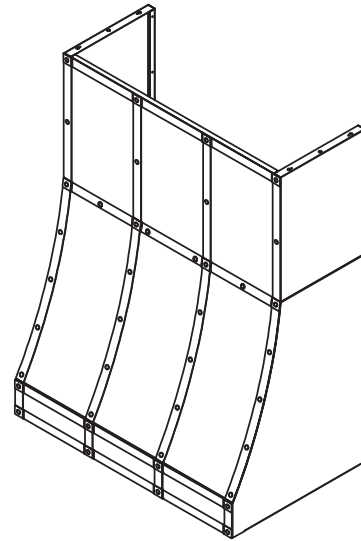


**CHFT36A
CHFT48A**



**CHFT36A + DC13612A
CHFT48A + DC14812A**

(with optional duct cover)



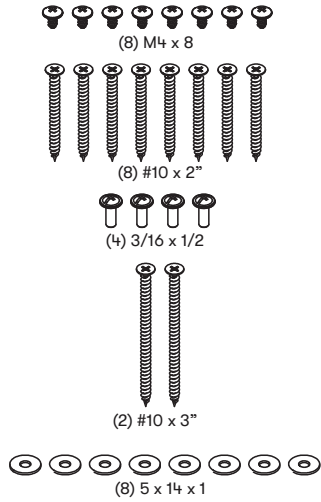
**CHFT36A + DC13618A
CHFT48A + DC14818A**

(with optional duct cover)

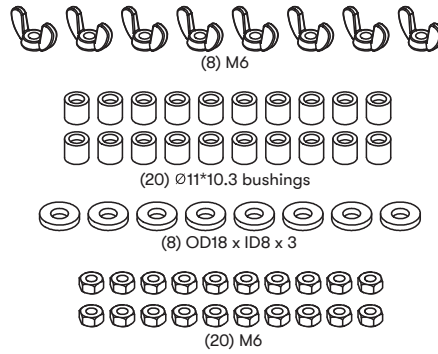
Product Specifications

List of Materials

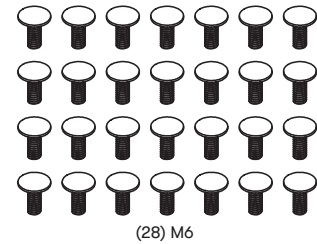
Hood Installation Screws



Hood Banding Hardware

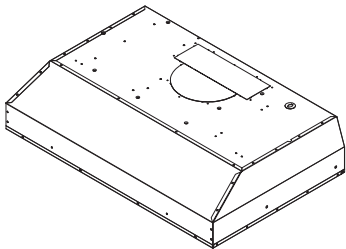


Hood Rivet Bolts, SS

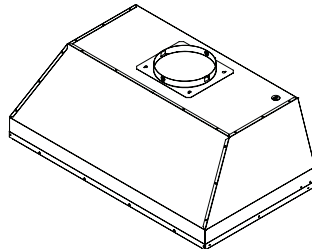


Hood Insert Compatibility

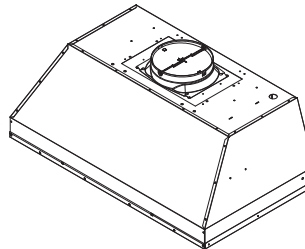
Below are the hood inserts compatible with the Forte custom hood. The inserts are sold separately.



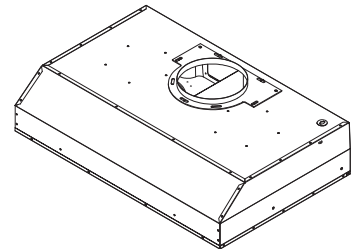
AK9134xS



AK9234xS
AK9246xS

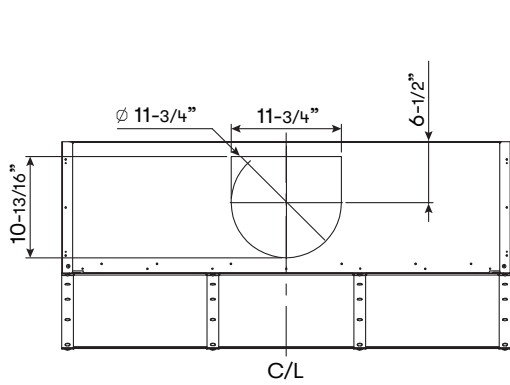


AK9434xS
AK9446xS

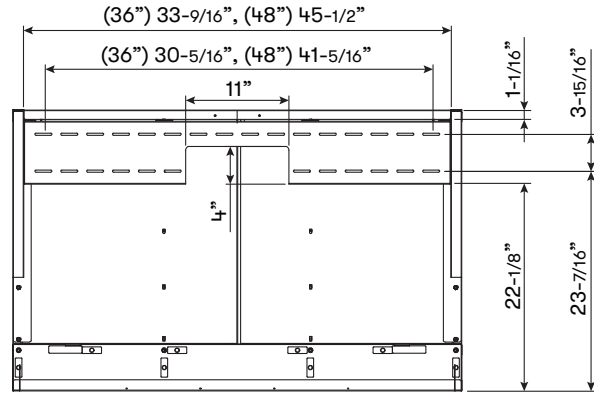


AK9534xS
AK9546xS

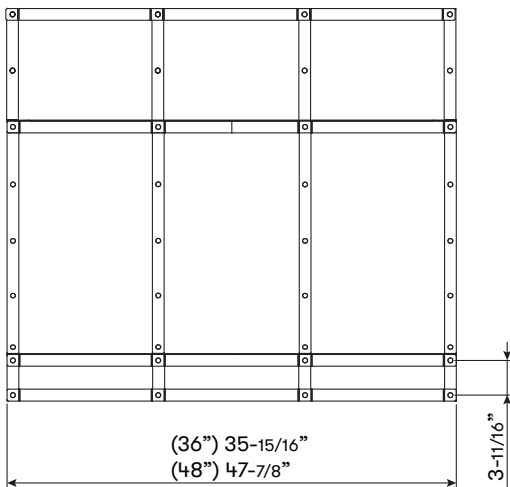
Dimensions



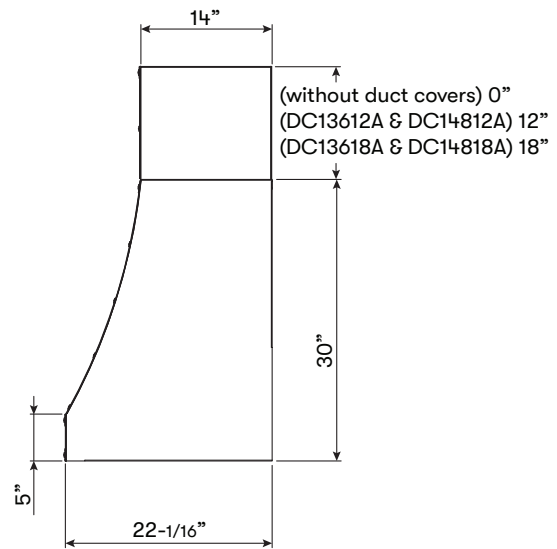
TOP



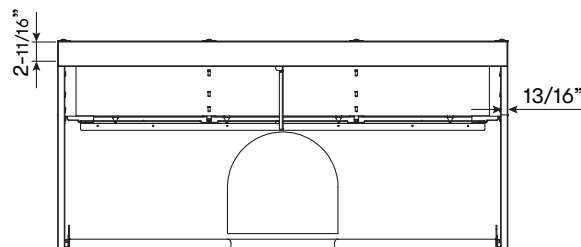
BACK



FRONT



SIDE



BOTTOM

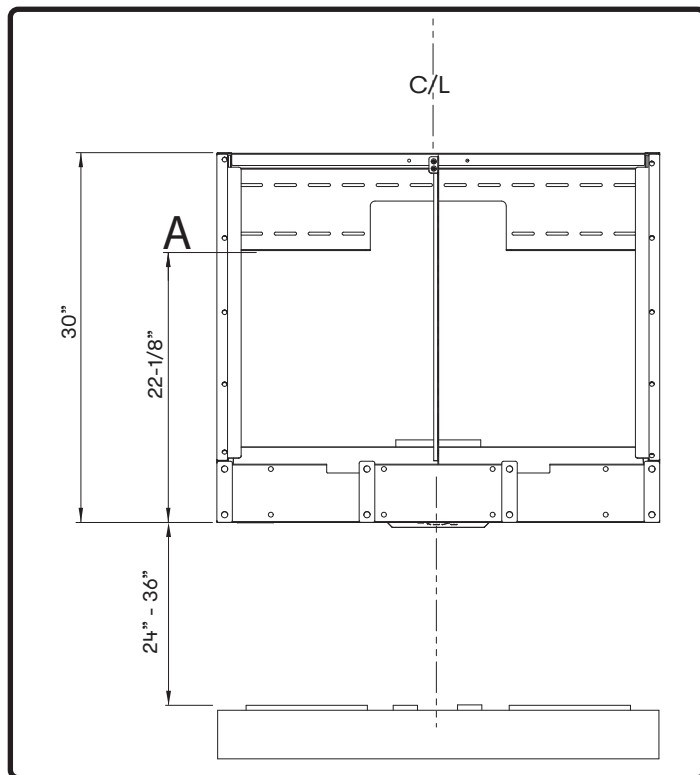
Net Weight: CHFT36ASX (48lb), CHFT48ASX (55lb)

NOTE: The duct cover accessories are sold separately.

Installation Instructions

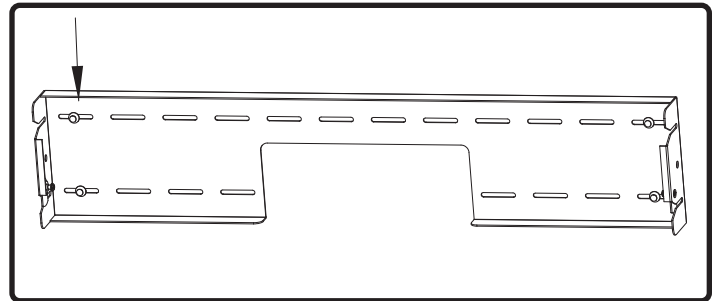
Installing the Forte Custom Hood

Refer to the installation manual of your specific hood insert and read all warnings prior to installing your product. To install the Forte Custom Metal Hood, CHFT-A, please follow the instructions below.

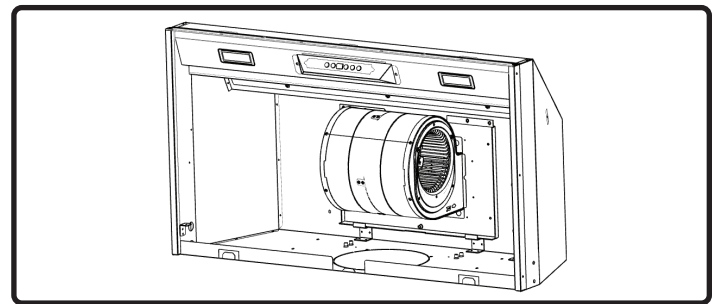


1. Determine the hood mounting height above the cooking surface, 24" - 36". Add 22-1/8" to this number and mark Line A, which is where the bottom of the wall bracket should be installed.

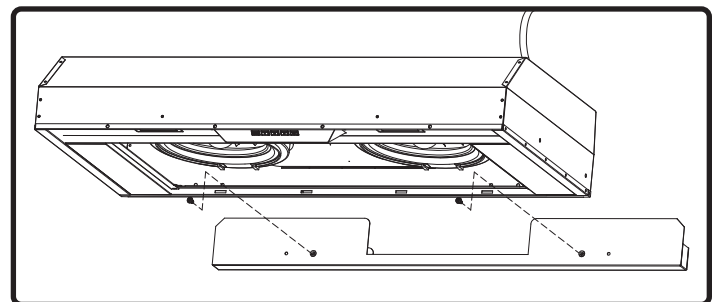
NOTE: If the optional 12" or 18"H duct covers are used, factor its height when mounting and adjust accordingly.



2. Center, level, and install the mounting bracket for the custom hood onto the wall by using (4) #10 x 2" screws with (4) 5 x 14 x 1 washers. Make sure to secure the screws into the wall studs.

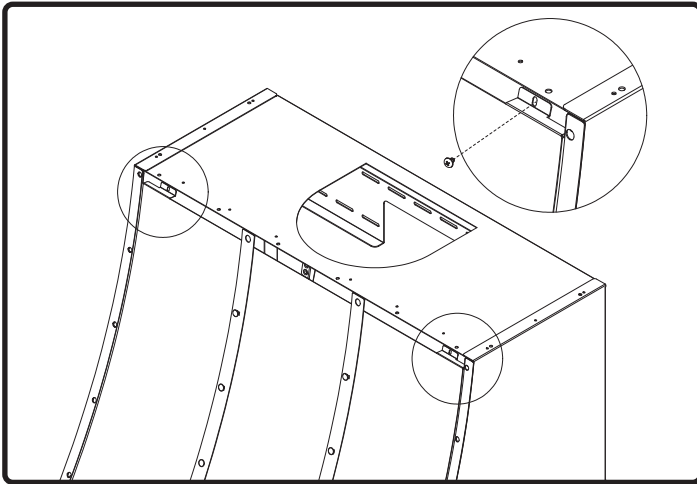


3. Prepare your Zephyr hood insert (sold separately) by following the instructions included with the insert. The filters and any bottom panels will need to be removed prior to installing the insert into your Forte custom hood.

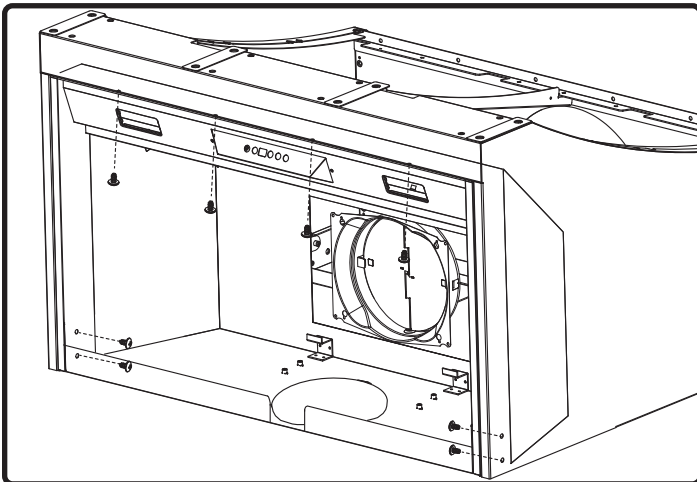


4. This step applies to insert models AK91 & AK95 only. For models AK92 & AK94, skip to the next step. Secure the filler panel to the back of the insert using (2) 3/16 x 1/2 screws.

Installing the Forte Custom Hood

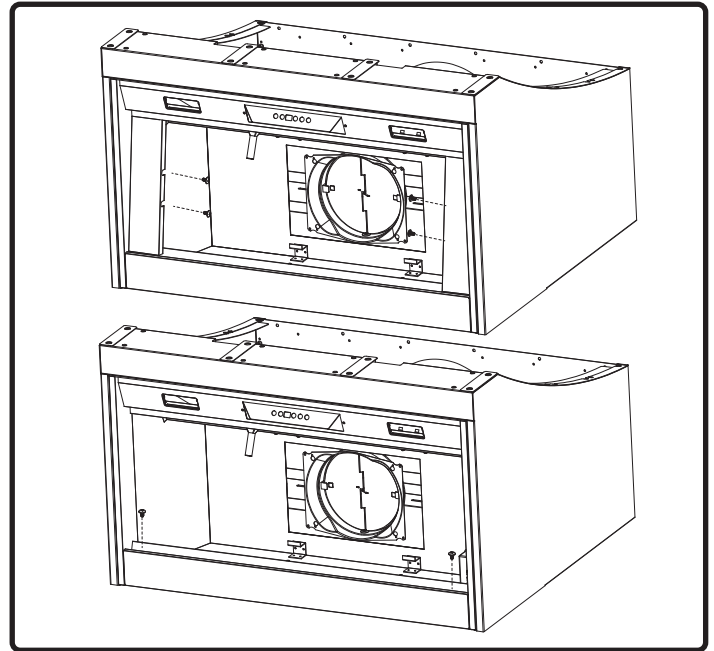


5. Remove the front panel of the custom hood by (2) M4 x 8 screws at the top.

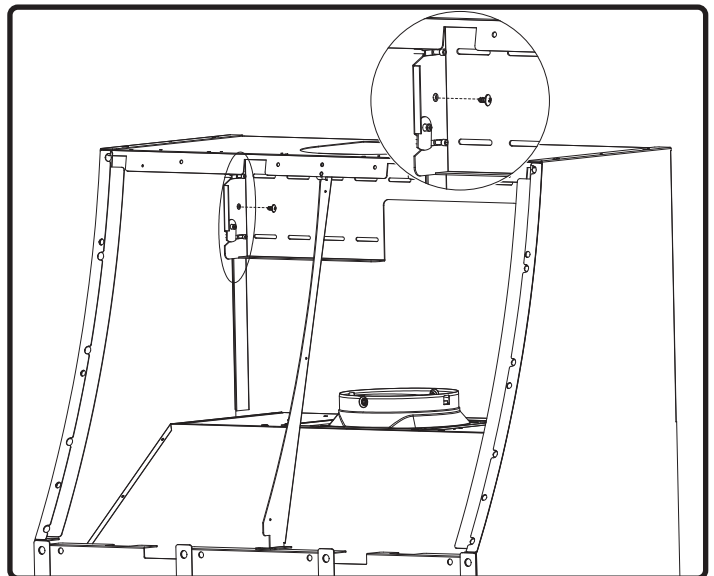


6. Lay the custom hood back on a stable surface before placing the hood insert inside the interior of the custom hood and securing it with (8) M4 x 8 screws; (4) screws in the front and (2) screws per side.

NOTE: If installing an optional duct cover, it is recommended to secure it to the custom hood during this step. Make sure to install all banding to the duct cover after assembly. See the duct cover assembly instructions for more information.



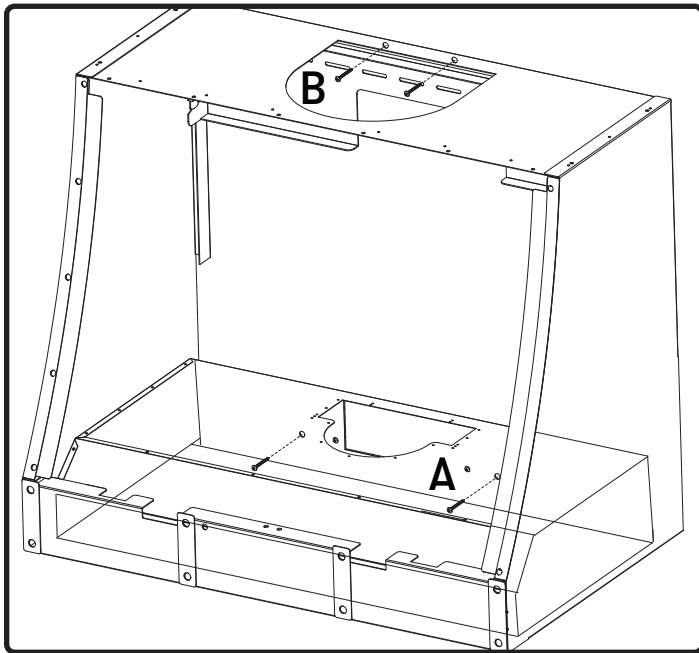
7. Reinstall all bottom panels to the hood insert by following the instructions from the insert manual in reverse.



8. With the help of 2-3 people, lift the custom hood and hang it onto the mounting bracket. The safety clips will temporarily prevent the hood from falling off the bracket. Secure the custom hood to the mounting bracket by (2) M4 x 8 screws; (1) screw per side.

Installation Instructions

Installing the Forte Custom Hood

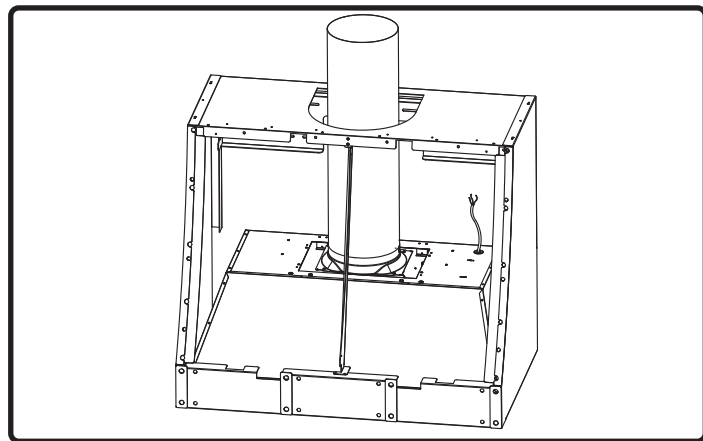


9. At the bottom (A), install (2) screws with washers through the hood insert into the wall.
For AK92 and AK94: Use (2) #10 x 2" screws with (2) washers.
For AK91 and AK95: Use (2) #10 x 3" screws with (2) washers.

At the top (B), use (2) #10 x 2" screws with (2) washers to further secure the hood insert to the wall.

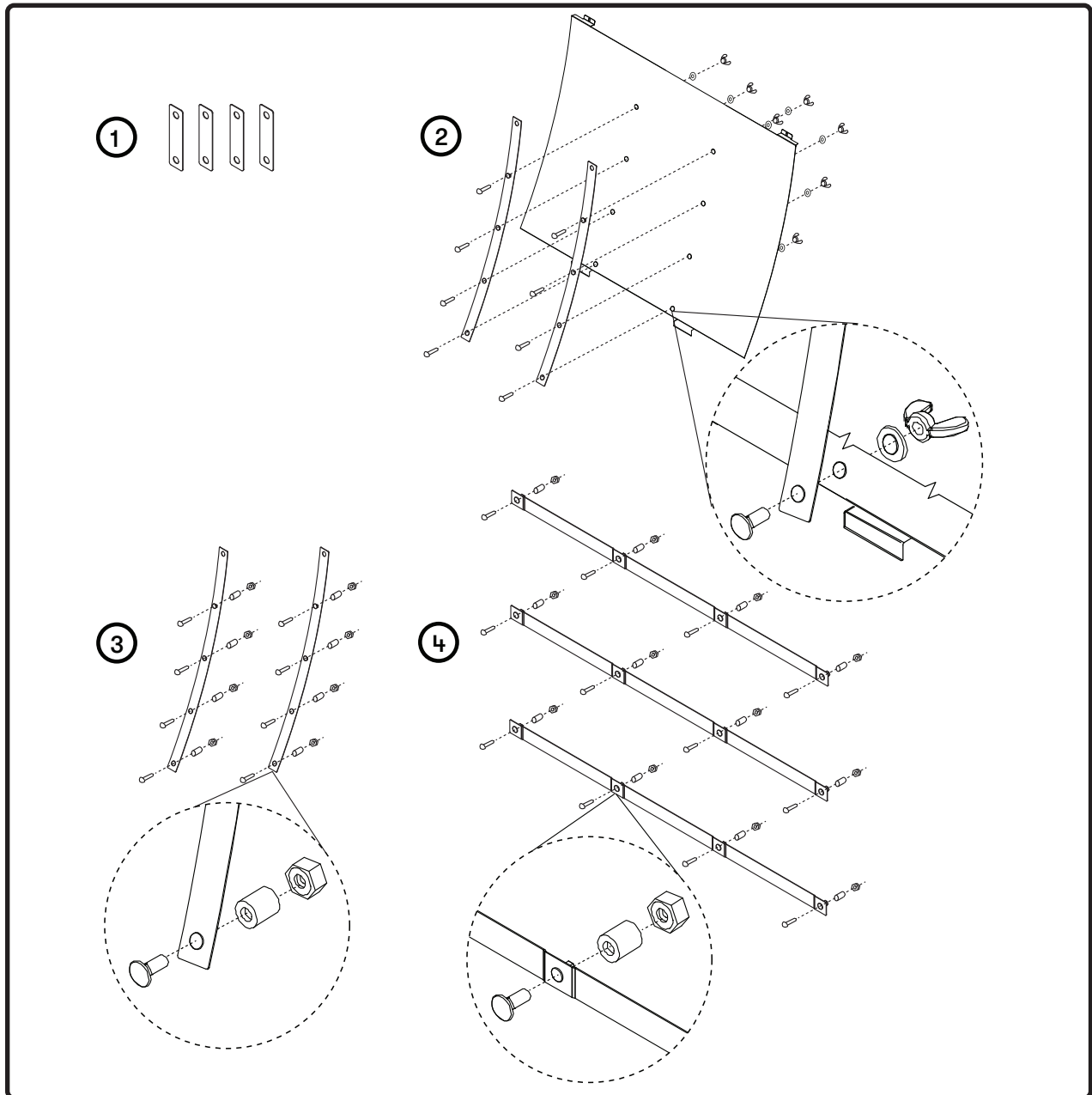
WARNING

Electrical wiring must be done by qualified person(s) in accordance with all applicable codes and standards. Turn off electrical power at service entrance before wiring.



10. Connect the hood insert to power and ducting. Refer to the hood insert installation manual for detailed instructions.

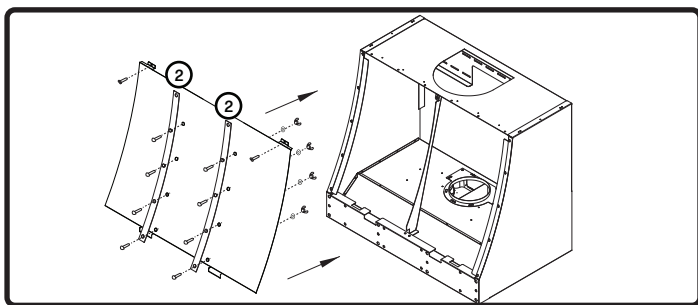
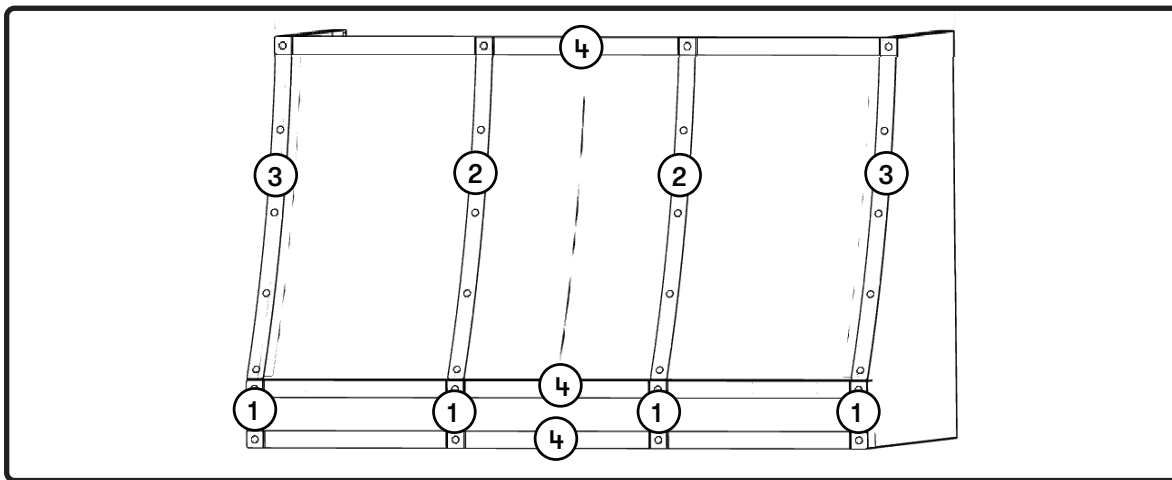
Assembling the Banding



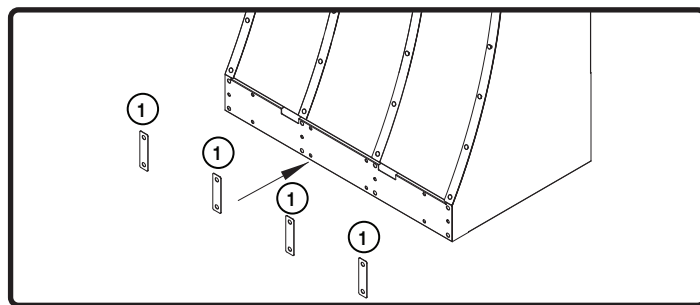
- ▶ (4) #1 short vertical bands are secured by magnets, no assembly required.
- ▶ (2) #2 long vertical bands should be installed onto the front of the panel using (4) rivet bolts, washers, and wingnuts per band
- ▶ (2) #3 long vertical bands and (3) #4 horizontal bands should be assembled using (4) rivet bolts, bushings, and M6 nuts per band.

Installation Instructions

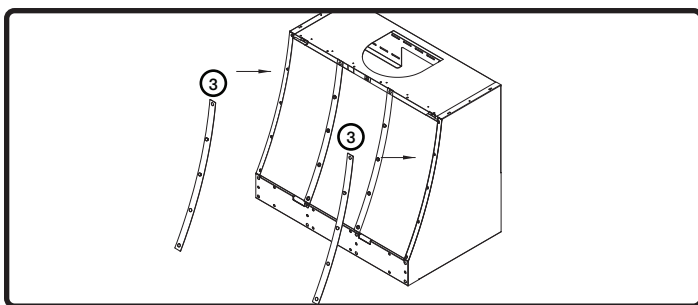
Installing the Banding



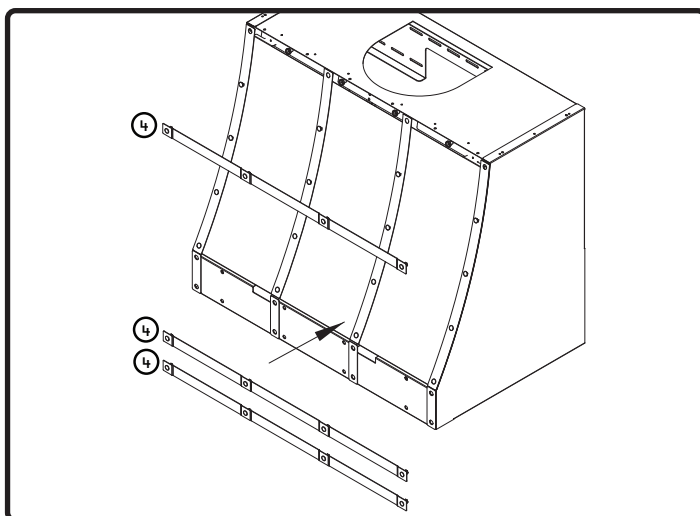
1. Secure the front panel with banding to the hood body at the top by using the (2) M4 x 8 screws previously removed.



3. Place (4) #1 short vertical bands onto the custom hood. These bands are secured by magnets.



2. Place (2) #3 long vertical bands onto the custom hood. These two bands are secured by magnets.



4. Place (3) #4 horizontal bands onto the custom hood, one at the very top of the custom hood, and two at the bottom. These bands are secured by magnets.

Cleaning the Forte Custom Metal Hood

Clean periodically with warm soapy water and a clean cotton cloth or micro fiber cloth. Always rub in the direction of the stainless steel grain. To remove heavier grease build up use a liquid degreaser detergent. While cleaning, carefully clean around the areas with the banding as some of the bands are held up magnetically, which may fall off if cleaning too vigorously.

After cleaning, use a non-abrasive stainless steel polish/cleaners to polish and buff out the stainless luster and grain. Always scrub lightly with a clean cotton cloth or micro fiber cloth and buff in the direction of the stainless steel grain.

- ▶ Do not use corrosive detergents, abrasive detergents or oven cleaners.
- ▶ Do not use any product containing chlorine bleach or any product containing chloride.
- ▶ Do not use steel wool or abrasive scrubbing pads which will scratch and damage surface.

List of Parts & Accessories

Optional Accessories	Part Number
Duct Cover, 36" x 12", Stainless Steel	DC13612A
Duct Cover, 36" x 18", Stainless Steel	DC13618A
Duct Cover, 48" x 12", Stainless Steel	DC14812A
Duct Cover, 48" x 18", Stainless Steel	DC14818A
Forte Hood Banding Kit, 36", Matte Black	BKFT36AMB
Forte Hood Banding Kit, 36", Satin Gold	BKFT36ASG
Forte Hood Banding Kit, 48", Matte Black	BKFT48AMB
Forte Hood Banding Kit, 48", Satin Gold	BKFT48ASG
Duct Cover Banding Kit, 36" x 12", Matte Black	BKDC13612AMB
Duct Cover Banding Kit, 36" x 12", Satin Gold	BKDC13612ASG
Duct Cover Banding Kit, 36" x 18", Matte Black	BKDC13618AMB
Duct Cover Banding Kit, 36" x 18", Satin Gold	BKDC13618ASG
Duct Cover Banding Kit, 48" x 12", Matte Black	BKDC14812AMB
Duct Cover Banding Kit, 48" x 12", Satin Gold	BKDC14812ASG
Duct Cover Banding Kit, 48" x 18", Matte Black	BKDC14818AMB
Duct Cover Banding Kit, 48" x 18", Satin Gold	BKDC14818ASG

To order parts, visit us online at <http://store.zephyronline.com>.

TO OBTAIN SERVICE UNDER WARRANTY OR FOR ANY SERVICE RELATED QUESTIONS

United States Customers please call: 1-888-880-8368 or contact us at: zephyronline.com/contact

Canada Customers please call: 1-800-361-0799 or Email: service@distinctive-online.com

Zephyr Ventilation, LLC (referred to herein as “we” or “us”) warrants to the original consumer purchaser (referred to herein as “you” or “your”) of Zephyr products (the “Products”) that such Products will be free from defects in materials or workmanship as follows:

Two Year Limited Warranty for Parts: For two years from the date of your original purchase of the Products, we will provide, free of charge, Products or parts to replace those that failed due to manufacturing defects subject to the exclusions and limitations below. We may choose, in our sole discretion, to repair or replace parts before we elect to replace the Products.

To Obtain Service Under Limited Warranty: To qualify for warranty service, you must: (a) notify us at the address or telephone number stated below within 60 days of the discovery of the defect; (b) give the model number and serial number (if applicable); and (c) describe the nature of any defect in the Product or part. At the time of the request for warranty service, you must present evidence of your proof of purchase and proof of the original purchase date. If we determine that the warranty exclusions listed above apply or if you fail to provide the necessary documentation to obtain service, you will be responsible for all shipping and other costs related to the services. This warranty is not extended or restarted upon warranty repair or replacements.

Warranty Exclusions: This warranty covers only repair or replacement, at our option, of defective Products or parts and does not cover any other costs related to the Products including but not limited to: (a) normal maintenance and service required for the Products and consumable parts such as gaskets, filters, light bulbs, fuses; (b) any Products or parts which have been subject to freight damage, misuse, negligence, accident, faulty installation or installation contrary to recommended installation instructions, improper maintenance or repair (other than by us); (c) commercial or government use of the Products or use otherwise inconsistent with its intended purpose; (d) natural wear of the finish of the Products or wear caused by improper maintenance, use of corrosive and abrasive cleaning products, pads, and oven cleaner products; (e) chips, dents or cracks caused by abuse or misuse of the Products; (f) service trips to your home to teach you how to use the Products; (g) damage to the Products caused by accident, fire, floods, acts of God; or (h) Custom installations or

alterations that impact serviceability of the Products. (l) Damage to personal property or food spoilage from use of this product. If you are outside our service area, additional charges may apply for shipping costs for warranty repair at our designated service locations and for the travel cost to have a service technician come to your home to repair, remove or reinstall the Products. All Products must be installed by a qualified professional installer to be eligible for warranty repairs or service.

Limitations of Warranty: OUR OBLIGATION TO REPAIR OR REPLACE, AT OUR OPTION, SHALL BE YOUR SOLE AND EXCLUSIVE REMEDY UNDER THIS WARRANTY. WE SHALL NOT BE LIABLE FOR INCIDENTAL, CONSEQUENTIAL OR SPECIAL DAMAGES ARISING OUT OF OR IN CONNECTION WITH THE USE OR PERFORMANCE OF THE PRODUCTS. THE EXPRESS WARRANTIES IN THE PRECEDING SECTION ARE EXCLUSIVE AND IN LIEU OF ALL OTHER EXPRESS WARRANTIES. WE HEREBY DISCLAIM AND EXCLUDE ALL OTHER EXPRESS WARRANTIES FOR THE PRODUCTS, AND DISCLAIM AND EXCLUDE ALL WARRANTIES IMPLIED BY LAW, INCLUDING THOSE OF MERCHANTABILITY AND FITNESS FOR A PARTICULAR PURPOSE.

Some states or provinces do not allow limitations on the duration of an implied warranty or the exclusion or limitation of incidental or consequential damages, so the above limitations or exclusions may not apply to you. To the extent that applicable law prohibits the exclusion of implied warranties, the duration of any applicable implied warranty is limited to the same two-year and one-year periods described above if permitted by applicable law. Any oral or written description of the Products is for the sole purpose of identifying the Products and shall not be construed as an express warranty. Prior to using, implementing or permitting use of the Products, you shall determine the suitability of the Products for the intended use, and you shall assume all risk and liability whatsoever in connection with such determination. We reserve the right to use functionally equivalent refurbished or reconditioned parts or Products as warranty replacements or as part of warranty service. This warranty is not transferable from the original purchaser and only applies to the consumer residence where the Product was originally installed located in the United States and Canada. This warranty is not extended to resellers.

Please check our website for any additional Product information, www.zephyronline.com.

Zephyr Ventilation Service Department, 2277 Harbor Bay Parkway, Alameda, CA 94502 1-888-880-8368