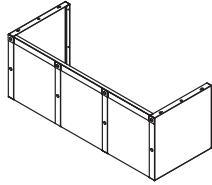
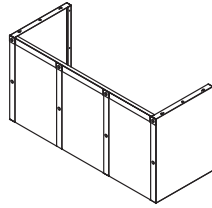


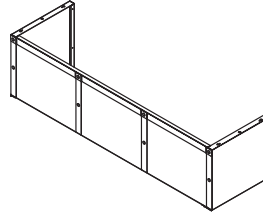
# Forte Duct Cover Accessory Installation Instructions



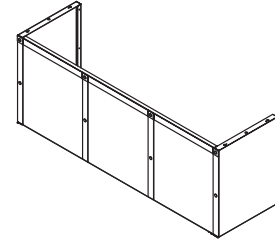
**DC13612AS**  
(36"W x 12"H)



**DC13618AS**  
(36"W x 18"H)

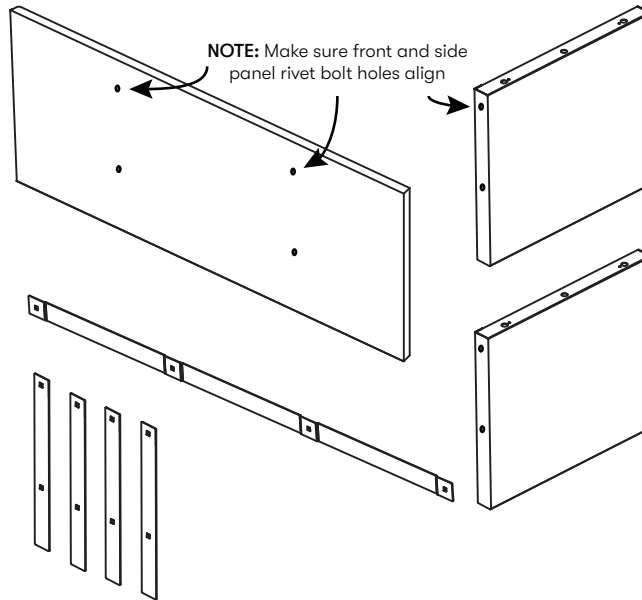


**DC14812AS**  
(48"W x 12"H)



**DC14818AS**  
(48"W x 18"H)

## List of Materials



### Duct Cover Hardware



(4) M6

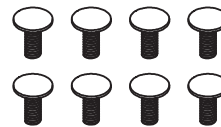


(16) M4 x 8 (36")  
(17) M4 x 8 (48")



(8) 8 x 18 x 3

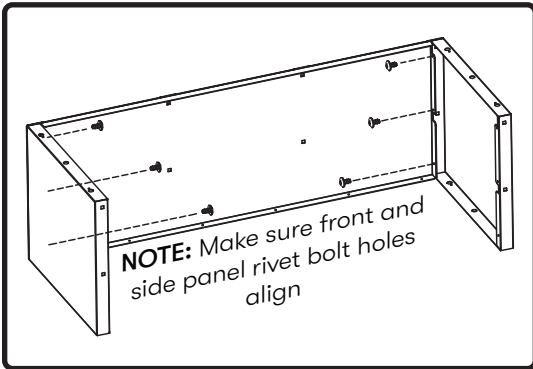
### Duct Cover Rivet Bolts, SS



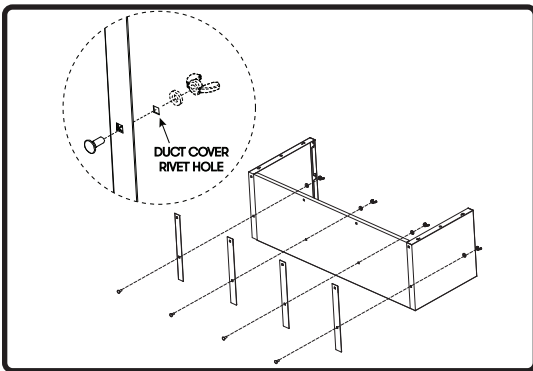
(8) M6

# Installation Instructions

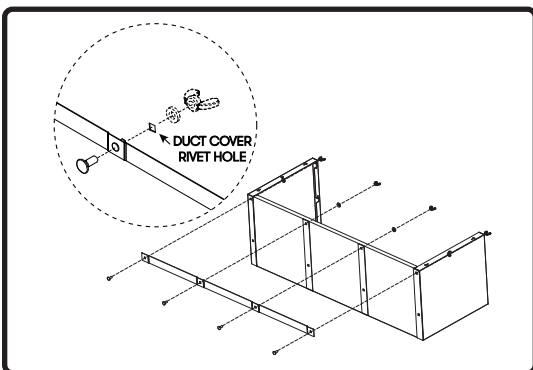
## Duct Cover Assembly



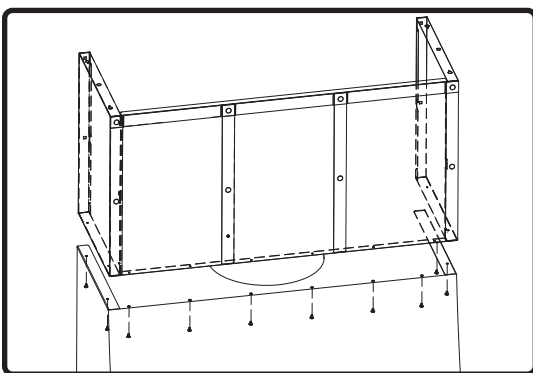
1. The Forte duct cover accessory comes with three panels. Assemble both shorter side panels to the longer front panel by (3) M4 x 8 screws each.



2. Secure the (4) short vertical bands onto the duct cover by (1) rivet bolt, washer, and wingnut per band.



3. Secure the (1) long horizontal band onto the duct cover and overlapping the vertical bands by (4) rivet bolts, washers, and wingnuts.



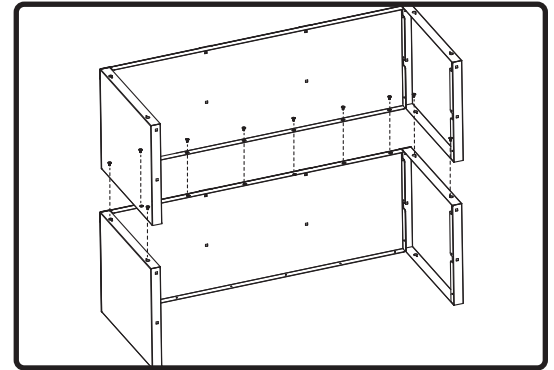
4. Install the duct cover onto the Forte custom hood by using the included M4 x 8 screws. (10) screws total for the 36" model and (11) screws for the 48" model.

**36" model:** (6) screws at the front, (2) screws per side.

**48" model:** (7) screws at the front, (2) screws per side.

## Stacking Duct Covers

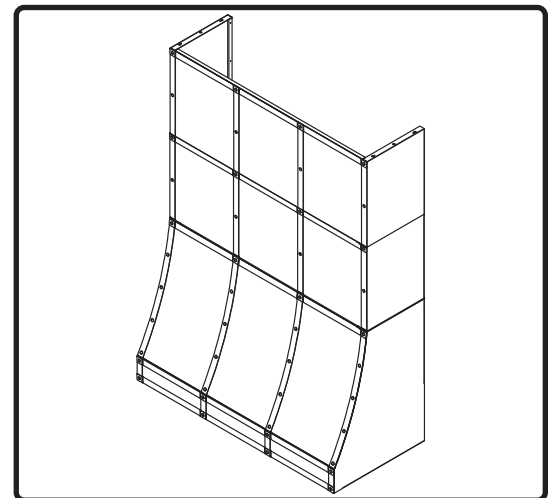
The Forte duct cover accessories can be stacked to accommodate taller ceiling heights.



1. Before installing the duct covers onto the Forte custom hood, install the completed duct covers together first. Follow steps 1 - 3 from Duct Cover Assembly. Stack the duct covers together by installing the included M4 x 8 screws.

**36" model:** (6) screws at the front, (2) screws per side.

**48" model:** (7) screws at the front, (2) screws per side.



2. With the duct covers combined, proceed with step 4 from Duct Cover Assembly to finish the duct cover installation.

See Forte hood installation instructions for more installation details.