








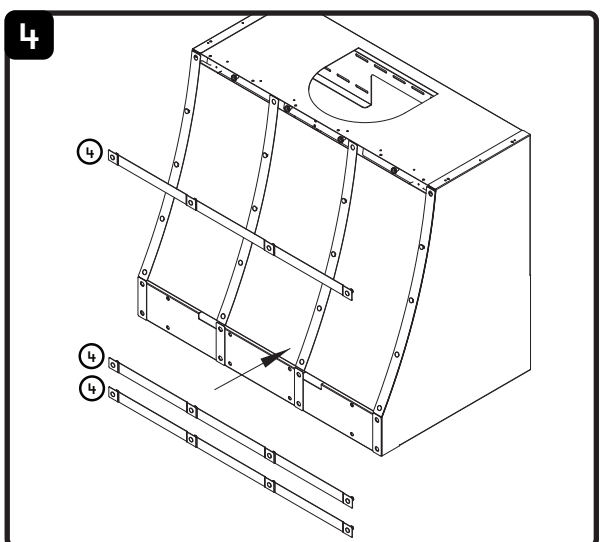
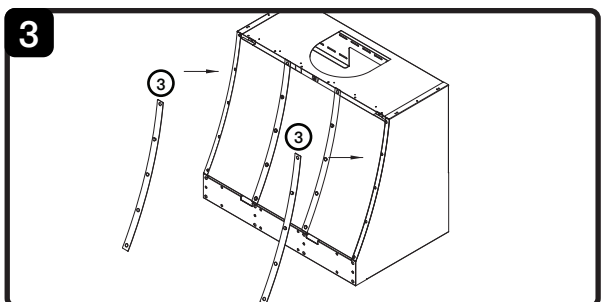
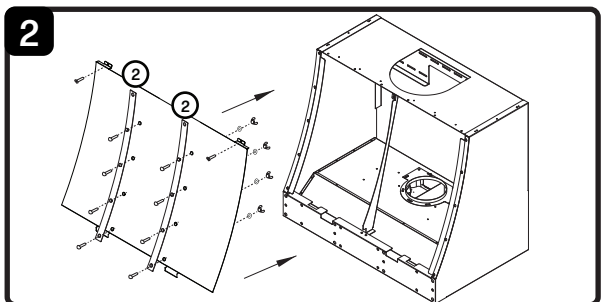
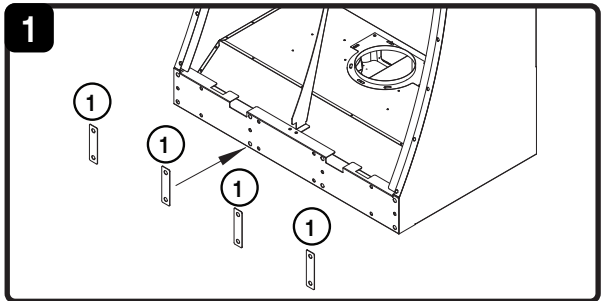
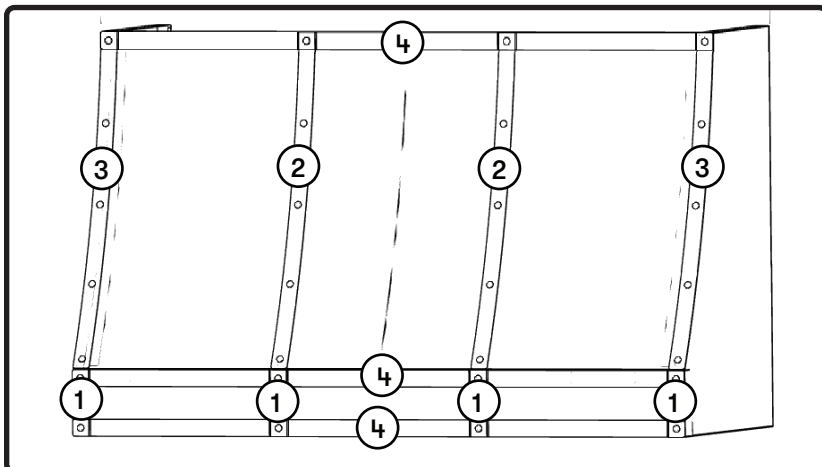
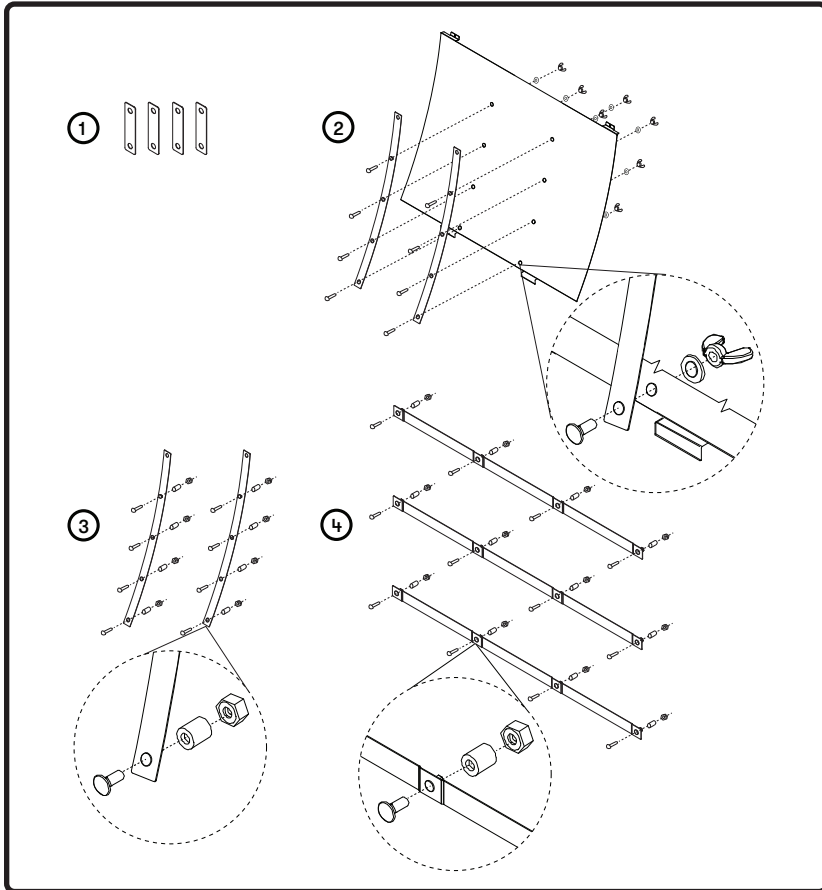


# Forte Hood Banding Kit Installation Instructions

- ① #1 BAND
- ②  + #2 BAND + FRONT PANEL +  + 
- ③  + #3 BAND +  + 
- ④  + #4 BAND +  + 

BKFT36AMB  
BKFT36ASG  
BKFT48AMB  
BKFT48ASG



See Forte hood installation instructions for more installation details. Use the bushings, washers, and wingnuts inside the Hood Banding Hardware packet, included with the hood, to complete assembly.