



WARNING - TO REDUCE THE RISK OF FIRE, ELECTRIC SHOCK, OR INJURY TO PERSONS, OBSERVE THE FOLLOWING:

1. Use this unit only in the manner intended by the manufacturer. If you have questions, contact the manufacturer at the address or telephone number in the warranty.
2. Before servicing or cleaning unit, switch power off at service panel and lock the service disconnecting means to prevent power from being switched on accidentally. When the service disconnecting means cannot be locked, securely fasten a prominent warning device, such as a tag, to the service panel.
3. Installation work and electrical wiring must be done by a qualified person(s) in accordance with all applicable codes and standards, including fire-rated construction codes and standards.
4. Sufficient air is needed for proper combustion and exhausting of gases through the flue (chimney) of fuel burning equipment to prevent backdrafting. Follow the heating equipment manufacturer's guideline and safety standards such as those published by the National Fire Protection Association (NFPA), and the American Society for Heating, Refrigeration and Air Conditioning Engineers (ASHRAE), and the local code authorities.
5. When cutting or drilling into wall or ceiling, do not damage electrical wiring and other hidden utilities.
6. Ducted fans must always be vented to the outdoors.
7. To reduce the risk of fire, use only metal ductwork.
8. Do not install this product with the activating switch directly behind a burner or element. Minimum distance between the switch and the edge of the burner should be 4 inches.
9. Loose-fitting or hanging clothing should never be worn when operating this appliance. They may be ignited by burners/elements on cooktop.
10. Children should not be left alone or unattended in the area where this appliance is in use.
11. This unit must be grounded.

WARNING - TO REDUCE THE RISK OF A RANGE TOP GREASE FIRE:

- a) Never leave surface units unattended at high settings. Boilovers cause smoking and greasy spillovers that may ignite. Heat oils slowly on low or medium settings.
- b) Always turn hood ON when cooking at high heat or when flambeing food. (i.e. Crepes Suzette, Cherries Jubilee, Peppercorn Beef Flambe').
- c) Clean ventilating fans frequently. Grease should not be allowed to accumulate on fan or filter.
- d) Use proper pan size. Always use cookware appropriate for the size of the surface element.



WARNING - TO REDUCE THE RISK OF INJURY TO PERSONS IN THE EVENT OF A RANGE TOP GREASE FIRE, OBSERVE THE FOLLOWING*:

- a) SMOTHER FLAMES with a close-fitting lid, cookie sheet, or metal tray, then turn off the burner. BE CAREFUL TO PREVENT BURNS. If the flames do not go out immediately, EVACUATE AND CALL THE FIRE DEPARTMENT.
- b) NEVER PICK UP A FLAMING PAN – You may be burned.
- c) DO NOT USE WATER, including wet dishcloths or towels – a violent steam explosion will result.
- d) Use an extinguisher ONLY if:
 - 1) You know you have a Class ABC extinguisher, and you already know how to operate it.
 - 2) The fire is small and contained in the area where it started.
 - 3) The fire department is being called.
 - 4) You can fight the fire with your back to an exit

*Based on "Kitchen Firesafety Tips" published by NFPA.



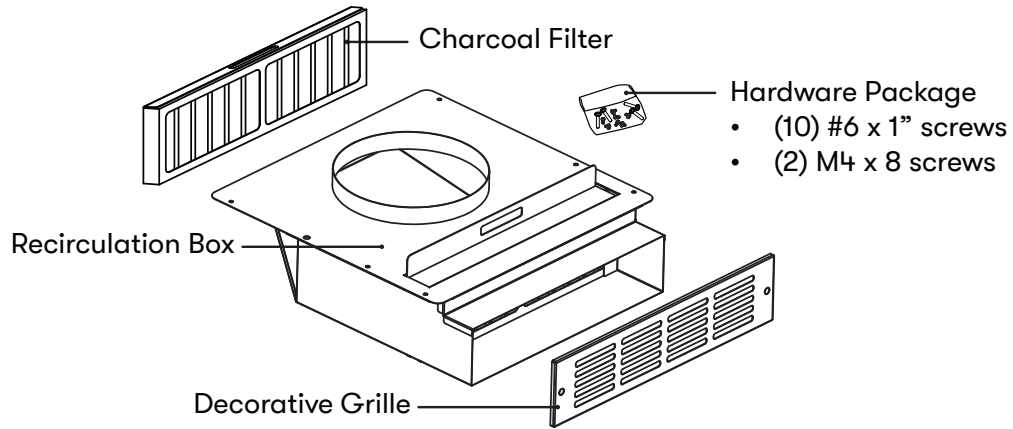
1. For indoor use only.
2. For general ventilating use only. Do not use to exhaust hazardous or explosive materials and vapors.
3. To avoid motor bearing damage and noisy and/or unbalanced impellers, keep drywall spray, construction dust, etc. off power unit.
4. Clean filters and grease-laden surfaces frequently.
5. Do not repair or replace any part of this appliance unless specifically recommended in this manual. All other servicing should be done by a qualified technician.
6. Please read specification label on product for further information and requirements.

INSTALLER:

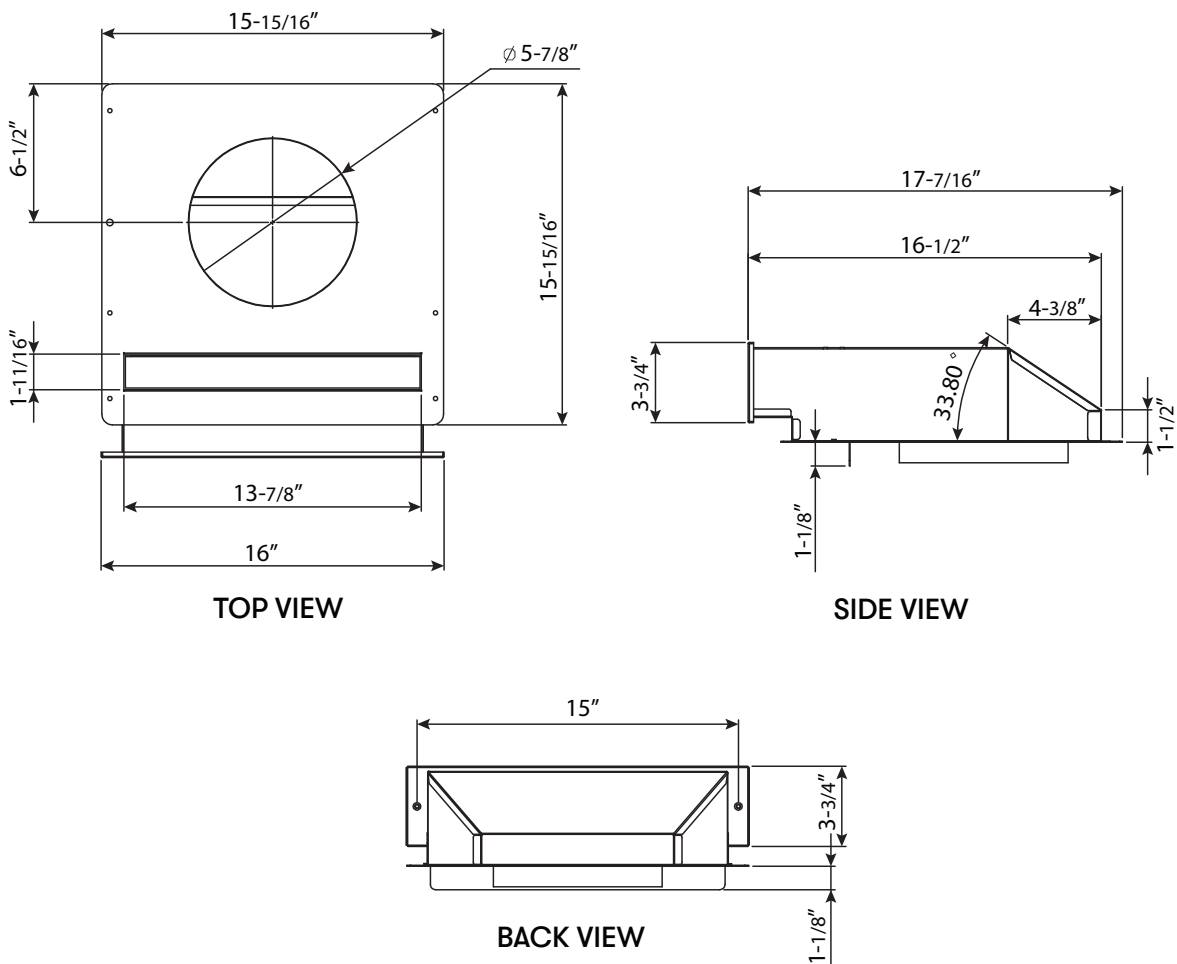
Save this manual for Electrical Inspector and Homeowner to use.

Installation Instructions

List of Materials



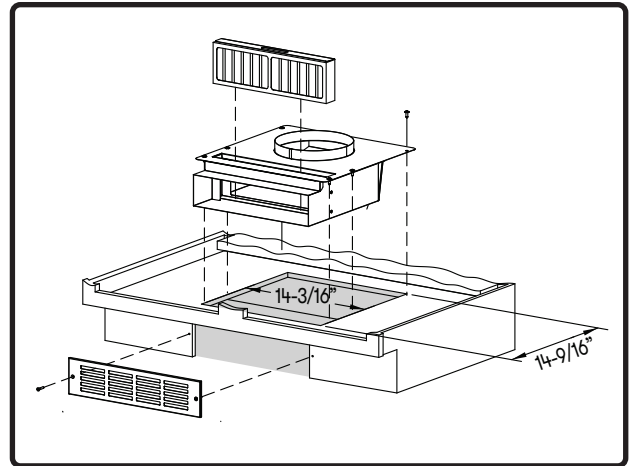
Dimensions



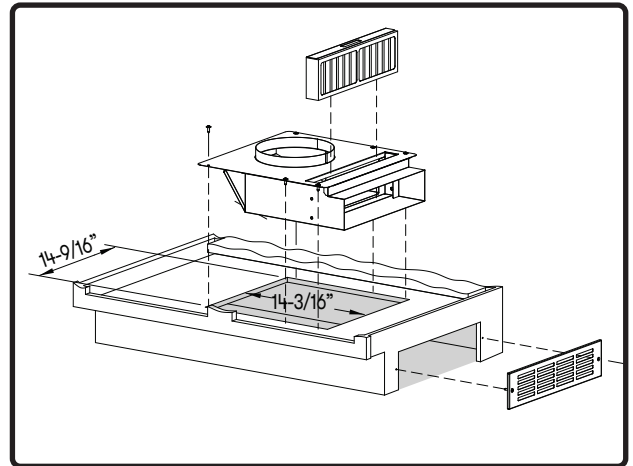
Plan the Installation

- ▶ A minimum 24-inch wide cabinet is recommended.
- ▶ The 6-inch round blower outlet and 6-inch round recirculation box inlet must align vertically.

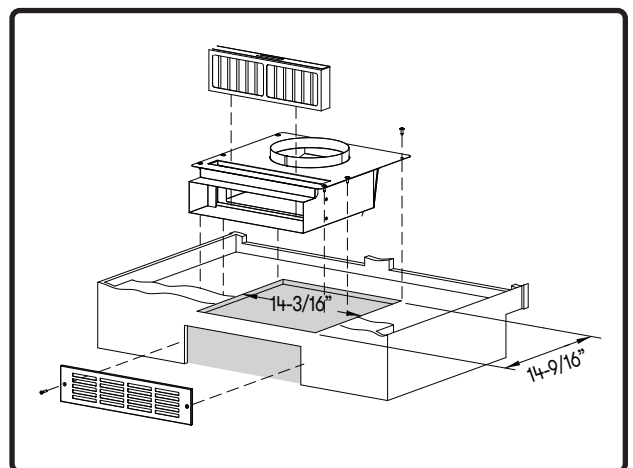
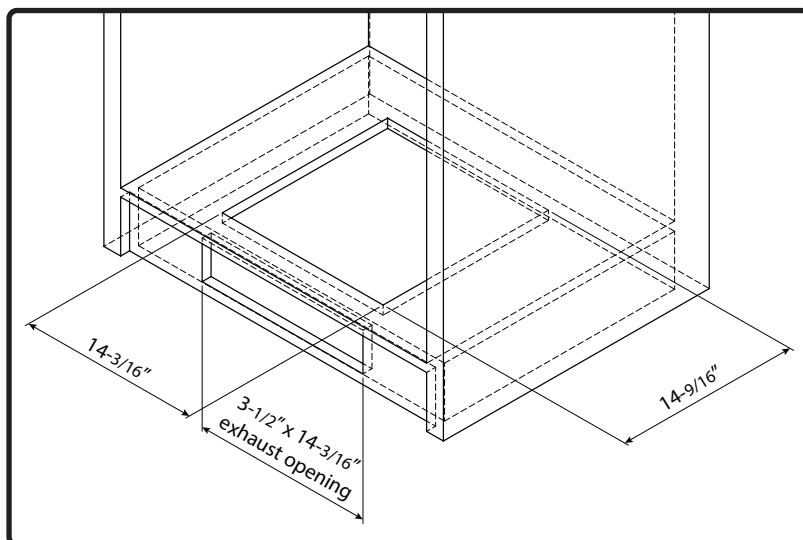
1. Determine where the recirculation box will exhaust through the cabinet.
 - ▶ Front side (toe space), left side, right side, or back side.
 - ▶ 14-3/16" x 14-9/16" opening in cabinet base is required for recirculation box.
 - ▶ 3-1/2" x 14-3/16" opening is required for the exhaust.
2. Determine the location of the recirculation box.
 - ▶ Plan to align the blower outlet with the recirculation box inlet.
3. Determine what lengths of duct are required. (Purchase duct separately)
 - ▶ A length of flexible or rigid 6" duct is required to connect blower exhaust to recirculation box inlet.
 - ▶ A length of 3-1/2" x 14" duct may be required to connect to exhaust of recirculation box and extend to decorative grille location.



Exhaust through front of cabinet (toe space)



Exhaust through side of cabinet

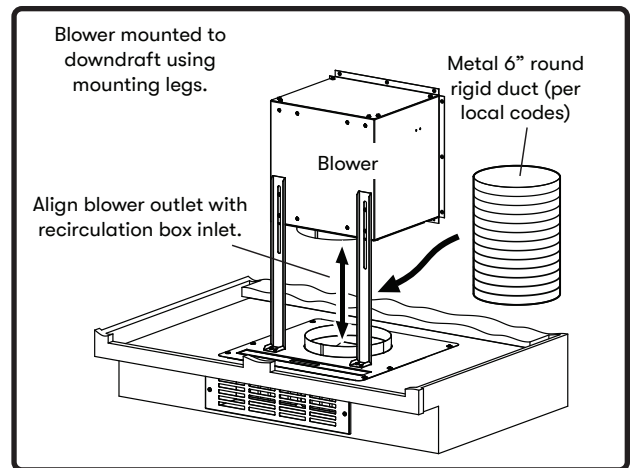


Exhaust through back of cabinet

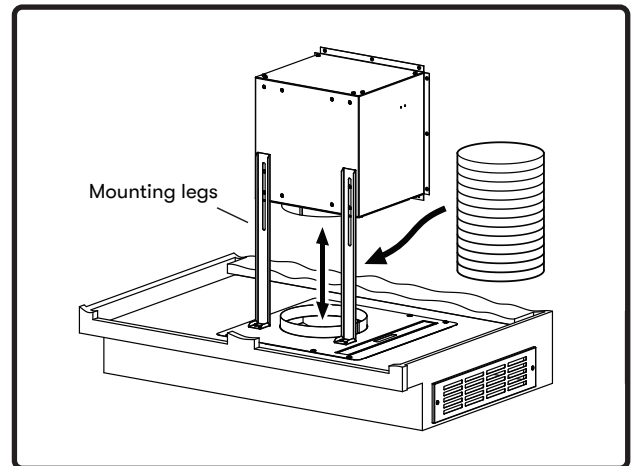
Installation Instructions

Install the Recirculation Box

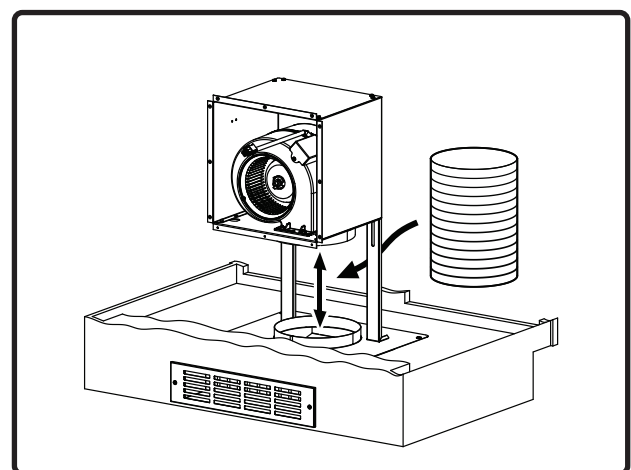
1. Cut a 14-3/16" x 14-9/16" opening in the cabinet base. The orientation depends on the direction of the exhaust. Double check that the blower outlet and recirculation box inlet aligns.
2. Temporarily place the recirculation box into the opening of the cabinet base. Rotate back of the recirculation box slightly and insert the exhaust end down into the opening.
3. Mark location of the exhaust opening in the front (toe space), sides, or rear of the cabinet.
4. Cut a 3-1/2" x 14-3/16" opening for the exhaust. This opening will be covered by the decorative grille.
5. Install the recirculation box into the opening in the cabinet base by (8) #6 x 1" screws. If necessary, attach a length of 3-1/4" x 14" duct extension (not included) to extend the recirculation box outlet to decorative grille location. Seal the duct connection(s) with duct tape to make them secure and air tight.
6. Install the blower by drilling 1/8" pilot holes through the top of the recirculation box and attaching the leveling brackets to the recirculation box with (2) M4 x 8 screws. Use 6" round rigid duct to connect the blower exhaust to the recirculation box inlet. Seal the duct connections with duct tape to make them secure and air tight.
7. Install the decorative grille by (2) #6 x 1" screws.
8. Remove polyfilm from filter by lifting the filter from the slot, removing the polyfilm, and installing the filter back into the slot.



Exhaust through front of cabinet (toe space)



Exhaust through side of cabinet



Exhaust through back of cabinet

Filter Replacement

It is recommended that you replace the recirculation filter every 6 months. However, this may vary, depending on the type and amount of cooking you perform. Call customer service or your local distributor to order a filter replacement.

- ▶ Filter replacement part number: Z0F-C006

Custom-Made Decorative Grille

You can make your own decorative grille. Use the decorative grille in this kit as a template for the overall size and mounting hole locations. The grille opening pattern is up to you.

- ▶ Equivalent area for grille slots for proper air flow = 18 in.2 min.