

ZEPHYR

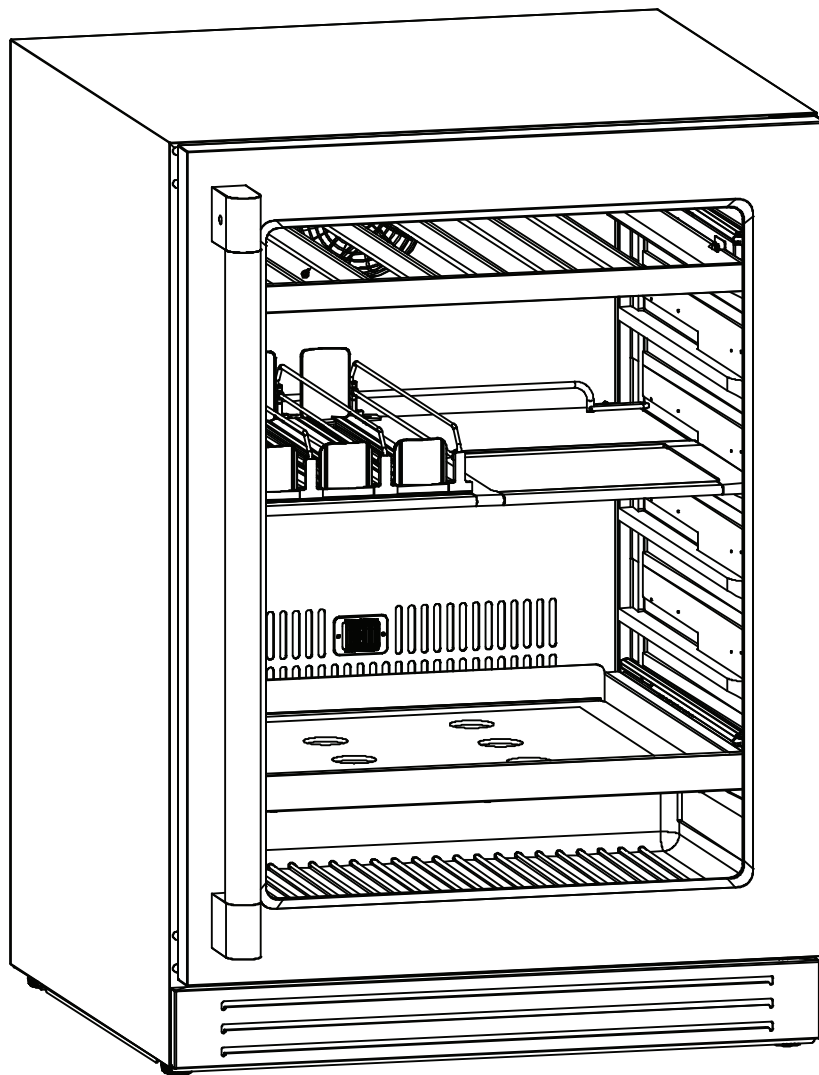
WWW.ZEPHYRONLINE.COM

PRPB24C01CG

Presrv™ Pro Single Zone Beverage Cooler

EN Use, Care, and Installation Guide

FR Guide d'utilisation, d'entretien et d'installation



	Page
Safety Information	4-7
Types of Safety Warnings.....	4
General Safety	4-5
Disposal of Old Appliance.....	5
Before Using Your Appliance	6
Installation of Your Appliance	6
Attention.....	6
Save These Instructions	6
Electrical Connection	7
Introduction	8
List of Materials.....	9
Product Specifications	10-11
Product Summary	10
Parts Identification	10
Internal Storage.....	11
Dimensions	11
Installation Instructions.....	12-20
Installation Clearance Requirements	12
Carbon Filter	13
Installing the Handle.....	13
Reversing the Door Swing of Your Appliance	14-15
Removing the Wooden Roll-Out Shelves	16
Removing the Glass Shelves	17
Retractable Glass Quarter Shelf Installation.....	17
Using the Retractable Glass Quarter Shelf	18
Beverage Dispenser Assembly	19
Beverage Dispenser Installation	20
Operating Your Appliance	21-24
Using the Control Panel.....	21
Internal Light	22
Display Brightness.....	22
Door Open Alarm.....	22
Sabbath Mode.....	23
Demonstration Mode	23
Temperature Alarm	23
Defrosting.....	24
Child Safety Lock	24
Care and Maintenance.....	25-26
Normal Sounds	25
Cleaning the Unit	25
Power Failure.....	26
Moving Your Beverage Cooler	26
Energy Saving Tips	26
Troubleshooting.....	27-28
Limited Warranty	29
Product Registration.....	30

Safety Information

Your safety and the safety of others are very important. We have provided many important safety messages in this manual for your appliance. Always read and obey all safety messages.



This is the Safety Alert Symbol. This symbol alerts you to potential hazards that can cause severe bodily injury or death. All safety messages will follow the Safety Alert Symbol and either the words “DANGER” “WARNING” or “CAUTION”

DANGER

Danger means that failure to heed this safety statement may result in severe injury or death.

WARNING

Warning means that failure to heed this safety statement may result in extensive product damage, serious personal injury, or death.

CAUTION

Caution means that failure to heed this safety statement may result in minor or moderate personal injury, property or equipment damage.

General Safety

DANGER

When using an electrical appliance, basic precautions should always be followed to reduce the risk of fire, electric shock, and injury to persons.

WARNING

To reduce the risk of fire, electric shock or personal injury, unplug or disconnect the appliance from the power supply before servicing.

CAUTION

Flammable refrigerant used! When handling, moving and use of the refrigerator, make sure to avoid either damaging the refrigerant tubing, or increasing the risk of a leak.

WARNING

Do not damage the refrigerant circuit.

WARNING

Do not use electrical appliances inside the food storage compartments of the appliance, unless they are of the type recommended by the manufacturer.

- ▶ Use this appliance only as described in this manual. Other uses not recommended may cause fire, electric shock or personal injury.
- ▶ This appliance is not intended for use by young children or infirm persons unless they have been adequately supervised by a responsible person to ensure that they can use the appliance safely.
- ▶ Young children should be supervised to ensure that they never play with the appliance.
- ▶ To protect against the risk of electric shock, NEVER IMMERSE the unit, cord, or plug in water or spray any other liquid.
- ▶ Unplug the appliance from the plug socket when not in use, when moving from one location to another and before cleaning.
- ▶ To disconnect the appliance, grip the plug and pull it from the wall outlet. Never pull by the cord.
- ▶ Never operate the appliance in the presence of explosive and/or flammable fumes.
- ▶ Never place the appliance or any of its parts near an open flame, cooking or other heating appliance.

For your safety, read all instructions carefully before operating the appliance.

- ▶ Never operate the appliance with a damaged cord or plug, if the product malfunctions, or if it is dropped or damaged in any manner.
- ▶ The use of attachments not recommended by the manufacturer may be hazardous.
- ▶ Never operate if the housing is removed or damaged.
- ▶ A loose fit between the AC outlet (receptacle) and plug may cause overheating and a distortion of the plug. Contact a qualified electrician to replace loose or worn outlet.
- ▶ Locate the unit away from direct sunlight and sources of heat (stove, heater, radiator, etc.).
- ▶ This appliance is CFC and HFC free and contains small quantities of Isobutane (R600a), an environmentally friendly coolant.
- ▶ You must ensure that the cooling circuit is undamaged when installing the appliance. However, if it becomes damaged, avoid proximity to open fires and heat sources of all kinds. The room in which the appliance is located should be ventilated properly and according to state and local codes.
- ▶ Never use an appliance with a damaged circuit.
- ▶ Ensure that the ventilation openings to and from a built-in appliance are never blocked or covered.
- ▶ No liability will be accepted for any damage caused by misuse of the appliance, or as a result of repairs carried out by unqualified person. In this case neither the warranty nor any other liability claims will apply.
- ▶ Never clean appliance parts with flammable liquids. These fumes can create a fire hazard or explosion. Never store or use gasoline or other flammable vapors and liquids in the vicinity of this or any other appliance. The fumes can create a fire hazard or explosion.
- ▶ Never connect or disconnect the electric plug with wet hands.
- ▶ It is recommended that a separate circuit, serving only your appliance be provided. Use receptacles that cannot be turned off by a switch or pull chain.

 **WARNING** 

Prop. 65 Warning for California Residents: This product may contain chemicals known to the State of California to cause cancer, birth defects, or other reproductive harm.

 **WARNING** 

Never operate any other electrical appliance inside this appliance.

- ▶ Never attempt to repair or replace any part of your appliance unless it is specifically recommended in this manual. All other servicing should be referred to a qualified technician.
- ▶ Replace all access panels before operating.
- ▶ Use two or more people to move and install the appliance. Failure to do so can result in back or other injury.

 **WARNING** 

To reduce the risk of fire, electric shock or personal injury, unplug or disconnect the appliance from the power supply before servicing.

Disposal of Old Appliance

Dispose of your appliance packaging properly. Refrigeration equipment must be properly disposed of in a way which protects the environment. This applies to your old appliance and to your new unit once it has reached the end of its service life.

 **WARNING** 

Please ensure that old, worn appliances are rendered unusable before disposal by removing the plug, cutting the power cable, and removing or destroying any snap fastenings or bolts. You will thus prevent children from locking themselves in the appliance during play (risk of suffocation) or endangering their lives in any other way.

- ▶ The appliance must not be disposed with normal household waste collection.
- ▶ The coolant circuit, particularly the heat exchange at the back/bottom of the unit, must not be damaged.
- ▶ The symbol on the product or its packaging indicates that this product is not to be handled as normal household waste but is to be taken to a recycling collection point for electrical and electronic goods. By correctly disposing of this product you are contributing to the protection of the environment. Improper disposal endangers health and the environment. Further information about the recycling of the product may be obtained from your town hall or local waste collection department.

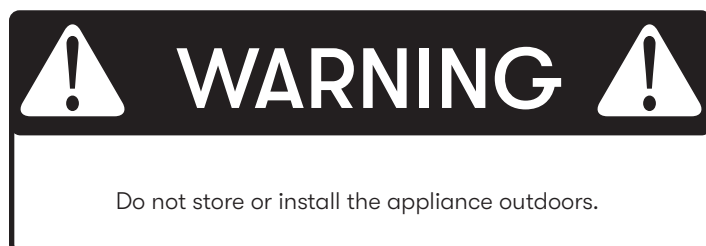
Safety Information

For your safety, read all instructions carefully before operating the appliance.

Before Using Your Appliance

- ▶ Remove all exterior and interior packing.
- ▶ Before connecting the appliance to the power source, let it stand upright for approximately 2 hours. This will reduce the possibility of a malfunction in the cooling system caused by handling during transportation.
- ▶ Clean the interior surface with warm water using a soft cloth.
- ▶ The door on this appliance can be opened from either the left or the right side. The unit is delivered with the door opening on the left side. Should you wish to open the door from the right, follow the instructions, "Reversing the Door Swing of your Appliance," listed below.

Installation of Your Appliance



- ▶ The appliances are designed for either built-in, or free-standing installation.
- ▶ Place your appliance on a floor that is strong enough to support it when it is fully loaded. To level your appliance, adjust the 4 legs until level.
- ▶ Locate the appliance away from direct sunlight and sources of heat (stove, heater, radiator, etc.). Direct sunlight may affect the acrylic coating and heat sources may increase electrical consumption. Extreme cold ambient temperatures may also cause the unit not to perform properly.
- ▶ Never place the unit in damp areas.
- ▶ Plug the appliance into an exclusive, easily accessible electrical socket.
- ▶ Any questions concerning power and/or electrical connection should be directed towards a qualified electrician or an authorized products service center.
- ▶ The air vent at the front of the appliance must never be covered or blocked in any way.



- ▶ The appliance must be installed to all electrical connections in accordance with state and local codes.
- ▶ Use two or more people to move and install the beverage cooler. Failure to do so can result in back or other injury.
- ▶ The cooler may experience decreased cooling efficiency if air flow is restricted due to a fully loaded cabinet.
- ▶ Install the cooler in a well-ventilated area where the ambient temperature is above 50°F and below 90°F.

Attention

- ▶ Never overload the cabinet.
- ▶ Never open the door unless necessary.
- ▶ Never cover shelves with aluminum foil or any other shelf material which may prevent air circulation.
- ▶ Do not store explosive substances such as aerosol cans with a flammable propellant in this appliance.
- ▶ Should the appliance be left empty for long periods, it is suggested that the appliance be unplugged, and, after careful cleaning, leave the door ajar to allow air to circulate inside the cabinet in order to avoid possible condensation, mold or odors from forming.

Save These Instructions

If you are experiencing problems, check the Troubleshooting Guide at the back of this manual. It lists causes of minor operating problems that you can correct yourself.

For your safety, read all instructions carefully before operating the appliance.

Electrical Connection



Check that the voltage marked on the product corresponds with your supply voltage.

This appliance should be properly grounded for your safety. The power cord of this appliance is equipped with a three-pin plug which mates with standard three-pin wall outlets to minimize the possibility of electrical shock.

Never under any circumstances cut or remove the third ground prong from the power cord supplied. For personal safety, this appliance must be properly grounded.

Have the wall outlet and circuit checked by a qualified electrician to make sure the outlet is properly grounded. When a standard two-pin wall outlet is encountered, it is your responsibility and obligation to have it replaced with a properly grounded three-pin wall outlet.

To prevent accidental injury, the cord should be secured behind the appliance and not left exposed or dangling.

The appliance should always be plugged into its own individual electrical outlet which has a voltage rating that matches the rating label on the appliance. This provides the best performance and also prevent overloading wiring circuits that could cause a fire hazard from overheating. Never unplug the appliance by pulling the power cord. Always grip the plug firmly and pull straight out from the receptacle. Repair or replace immediately all power cords that have become frayed or otherwise damaged. Never use a cord that shows cracks or abrasion damage along its length or at either end. When moving the appliance, be careful not to damage the power cord.

Never use your appliance with an extension cord unless this cord has been checked and tested by a qualified technician or service person. The extension cord must be a UL/CUL Listed, 3-wire grounding extension cord that has a grounding plug and outlet and that the electrical rating of the cord is 115 volts and at least 10 amperes. Do not use ungrounded (two prong) adapters.

Introduction

Thank you for purchasing your Zephyr beverage cooler. Zephyr is dedicated to developing products that will enhance your lifestyle with superior quality and distinctive features. Please visit www.zephyronline.com for more information on your product and other Zephyr products.

This manual contains important information regarding the proper installation, use, and maintenance of your beverage cooler. Following this manual will ensure that your product will work at its peak performance and efficiency.

For Your Records

Please write down the model number and serial number below for future reference. Both numbers are located on the rating label on the back of your unit and are needed to obtain warranty service. You may also want to staple your receipt to this manual as it is the proof of your purchase and may also be needed for service under warranty.

Model Number:



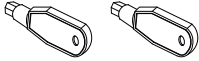

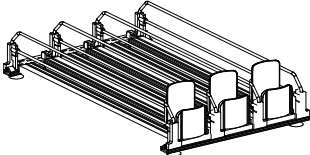
Serial Number:

Date of Purchase:

To better serve you, please do the following before contacting customer service:

If you received a damaged product, immediately contact the retailer or dealer that sold you the product.

- ▶ Read and follow this instruction manual carefully to help you install, use and maintain your beverage cooler.
- ▶ Read the troubleshooting section of this manual as it will help you diagnose and solve common issues.
- ▶ Visit us on the web at <http://www.zephyronline.com> to download product guides, additional troubleshooting resources and up-to-date information.
- ▶ If you need warranty service, our friendly customer service representatives are available on our website at <http://zephyronline.com/contact>.

Quantity	Part
	M3 Allen key (hex key)
	Hexagon flat head screws (M5*16)
	Keys
	Black decorative nails
	Beverage dispenser

Product Specifications

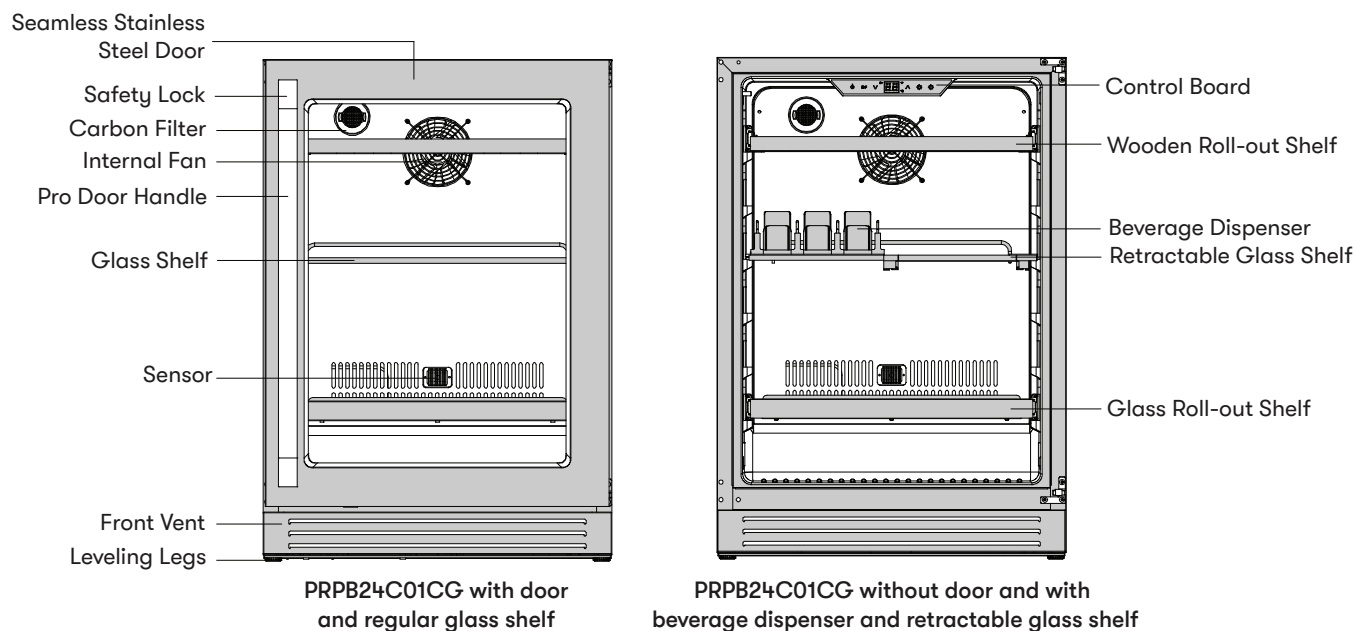
Product Summary

This appliance requires a standard 115/120 Volt AC~60Hz electrical ground outlet.

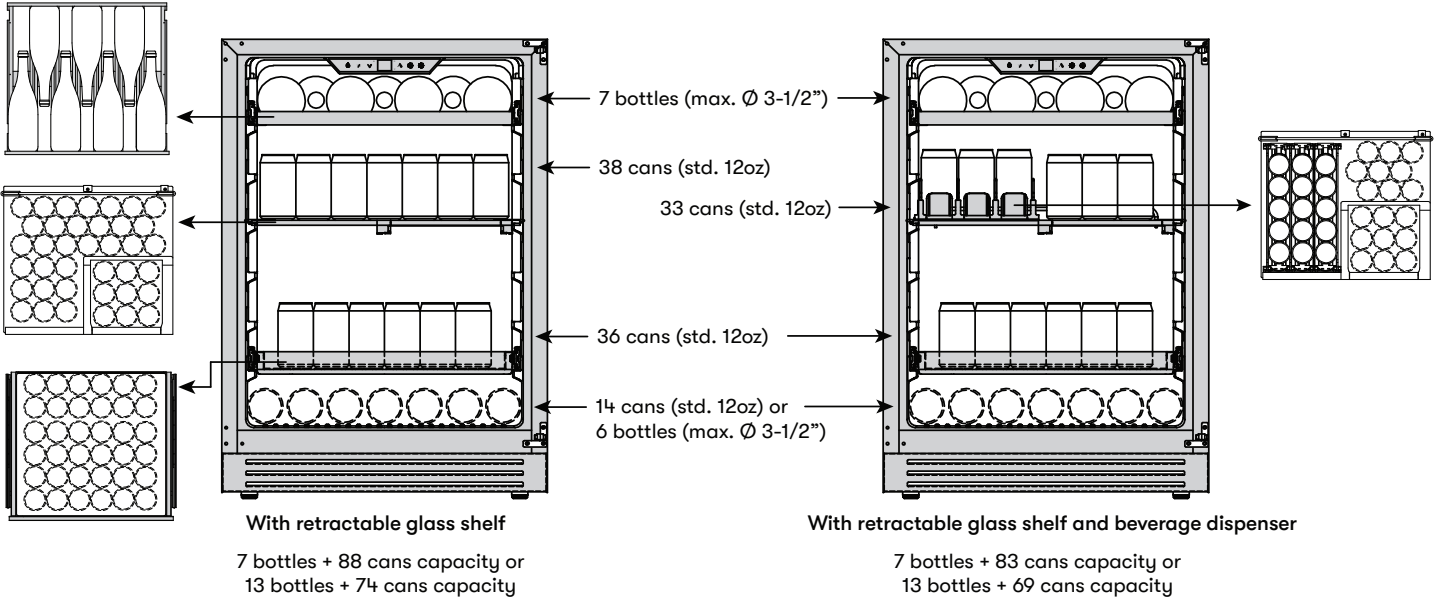
DESCRIPTION OF PRODUCT	Presrv™ Pro Single Zone Beverage Cooler
MODEL	PRPB24C01CG
VOLTAGE/FREQUENCY	AC 115/60Hz
AMPERAGE	1.5A
COLOR	Black Cabinet with Stainless Steel Door
STORAGE CAPACITY*	(7) 750ml bottles + (88) 12oz cans or (13) 750ml bottles + (74) 12oz cans
STORAGE CAPACITY WITH BEVERAGE DISPENSER*	(7) 750ml bottles + (83) 12oz cans or (13) 750ml bottles + (69) 12oz cans
REFRIGERANT	R600a
TEMPERATURE RANGE	34°F - 50°F
DIMENSIONS (HxWxD)	33-7/8" X 23-7/8" X 23-5/8"
GROSS WEIGHT (lb)	148lb
OPTIONAL ADDITIONAL STANDARD GLASS SHELF	50150015
OPTIONAL ADDITIONAL RETRACTABLE GLASS SHELF	50150016
WEIGHT CAPACITY - STANDARD GLASS SHELF (lb)	79lb
WEIGHT CAPACITY - RETRACTABLE GLASS SHELF (lb)	33lb
REPLACEMENT CARBON FILTER	ZOF-C004

*Storage capacity is based on standard 12 oz. cans and 750 ml. Bordeaux-style wine bottles.

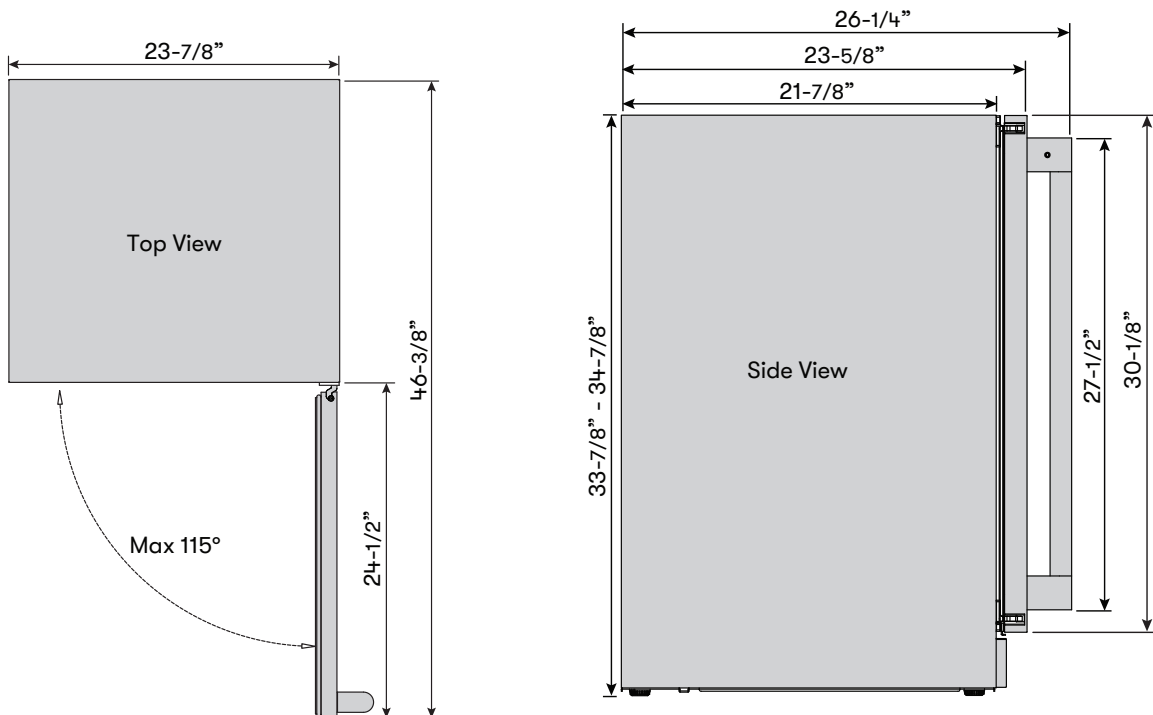
Parts Identification



Internal Storage



Dimensions

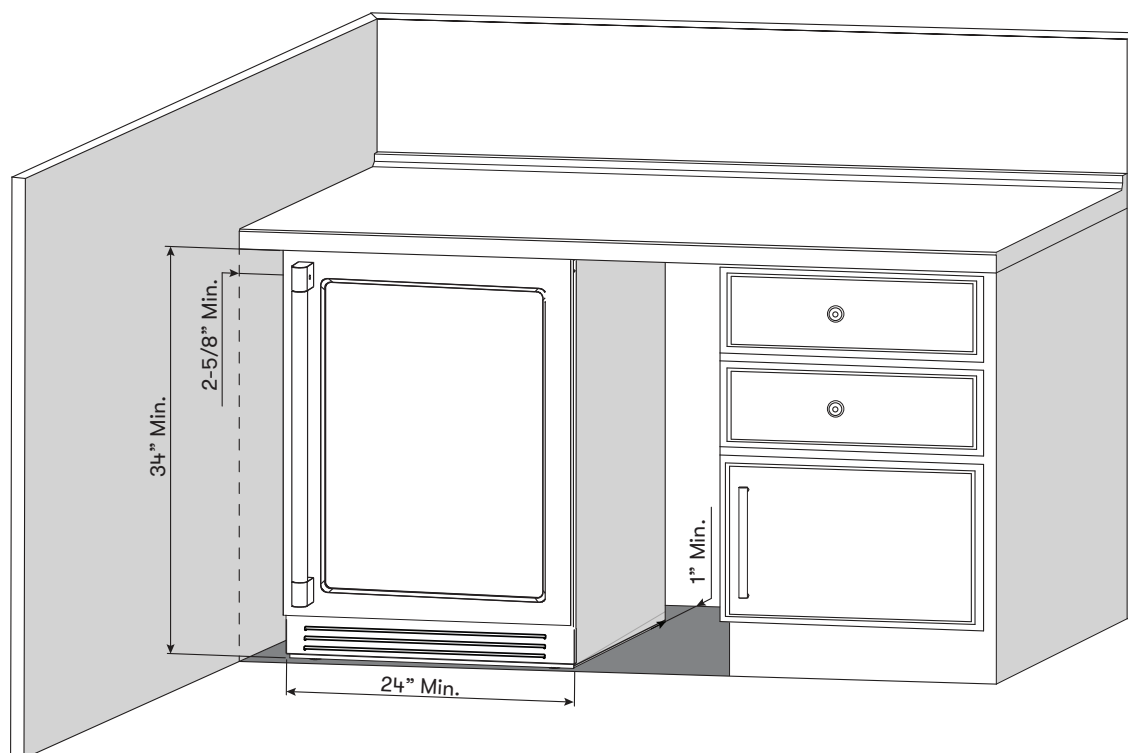


Installation Instructions

Installation Clearance Requirements

When installing the beverage cooler under a counter, follow the recommended spacing dimensions shown.

- ▶ For proper clearance of the electrical plug, allow at least 1" of clearance at the back as shown in the diagram.
- ▶ An installation next to a wall will require a minimum 2-5/8" door clearance to accommodate the Zephyr handle.
- ▶ The cabinet should allow at least 24" for the width and 34" for the height to accommodate the beverage cooler.
- ▶ The power cable is located on the back right of the unit and has a length of 72" to accommodate multiple outlet locations.
- ▶ Once you are ready to install the unit, you must adjust the feet to level the beverage cooler.
- ▶ This refrigerator can be fully built-in to cabinetry and does not require any additional clearances besides what is referenced below.
- ▶ The installation should allow the unit to be pulled forward for servicing, if necessary.

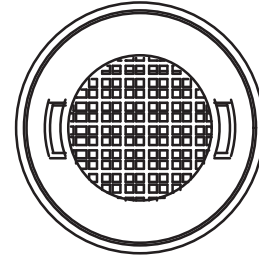


Carbon Filter

A built-in carbon filter protects your beverages by acting as a natural barrier against harmful odors. The carbon filter should be replaced every 3-6 months depending on the unit's exposure level to odor. If the unit is placed in a kitchen, regular replacement every three months is ideal.

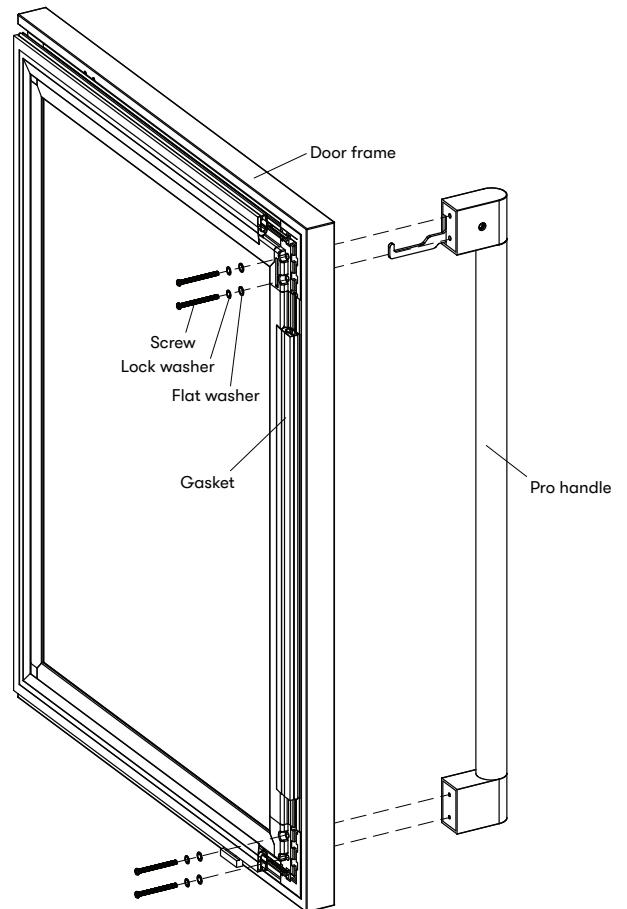
Remove the carbon filter by turning counterclockwise to unlock from rear panel.

Carbon Filter Replacement Part #: Z0F-C004



Installing the Handle

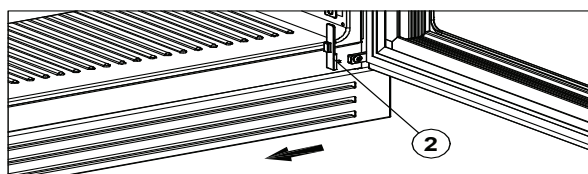
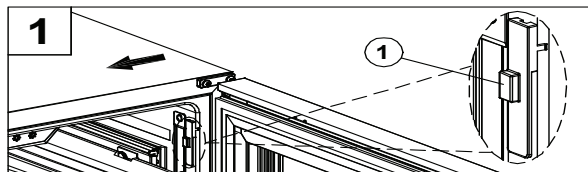
1. Push aside the door gasket on the side you wish to install the handle. Under the gasket you will see two designated holes per end for handle installation and pre-installed screws.
2. Install the handle tightly as shown with two screws, lock washers and flat washers pre-installed per end.



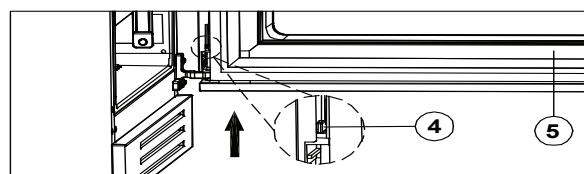
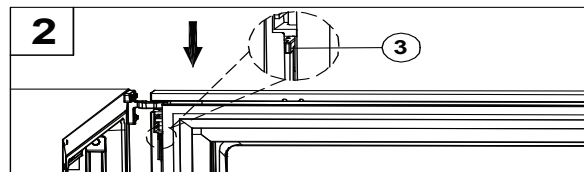
Installation Instructions

Reversing the Door Swing of Your Appliance

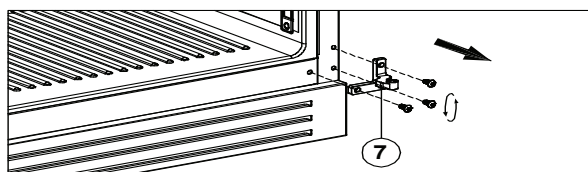
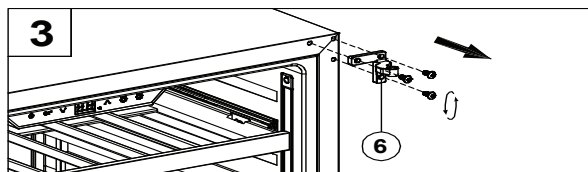
Should you desire to reverse the opening direction of the door, please follow the instructions below. Safely reversing the door swing of your appliance should require at least two people.



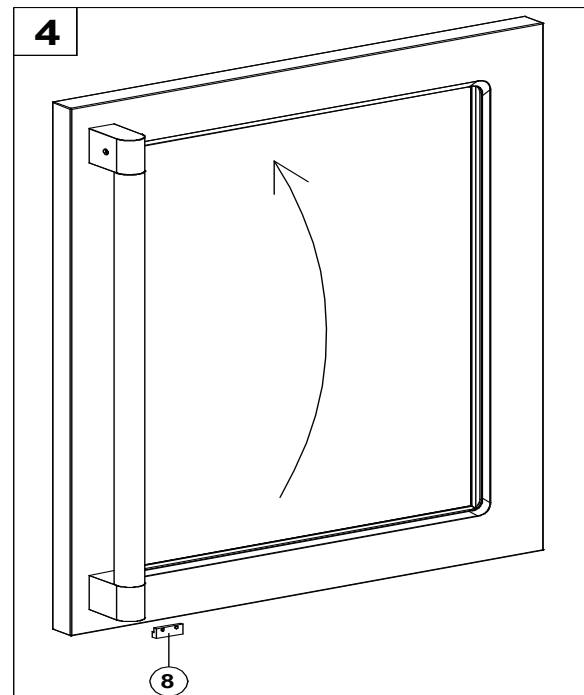
1. Remove the covers for the upper and lower hand levers (1), (2).



2. Pull the upper hand lever (3) downward and the lower hand lever (4) upward. Carefully remove the door.

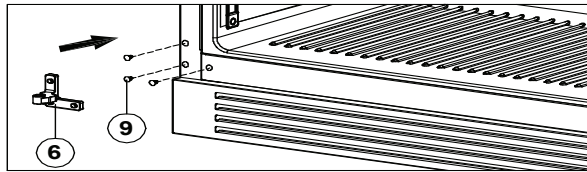
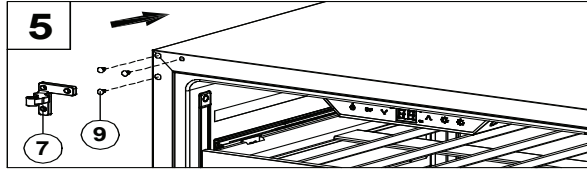


3. Remove the top hinge (6) and lower hinge (7) by 3 screws each using an M3 Allen key.

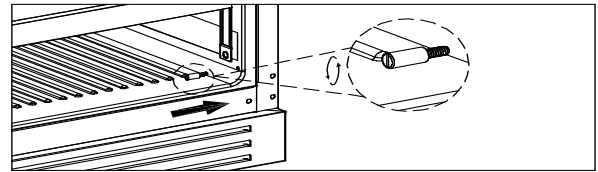
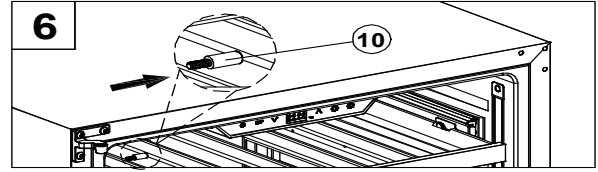


4. Remove the door magnet (8) by 2 screws and reinstall it onto the opposite end of the door.

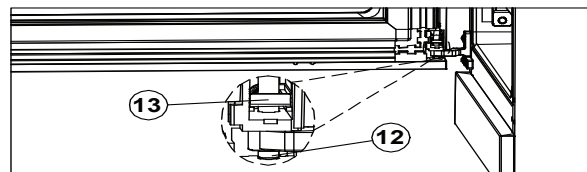
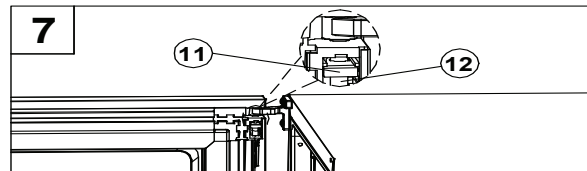
Reversing the Door Swing of Your Appliance



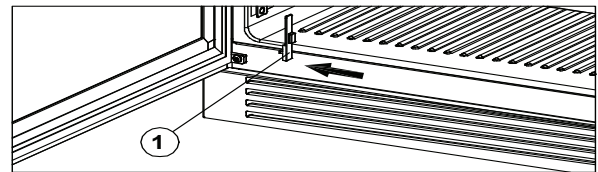
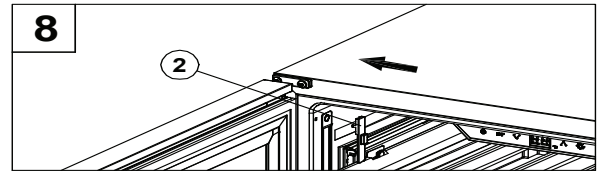
5. Remove the 3 black decorative nails (9) from both the upper and lower left corners of the unit and reinstall them to the upper and lower right corners. Reinstall the previously removed hinges onto the left side. (6) for the lower left side and (7) for the upper left side.



6. Remove the lock latch (10) from the top left corner and reinstall it to the lower right corner of the unit.



7. Carefully place the door against the hinge, align the door axis with the upper and lower hinge holes, and press on a locking bar (11)/(12), which will automatically thread the door knuckle through the door hinge on the top side. Repeat for (13)/(12) on the bottom.



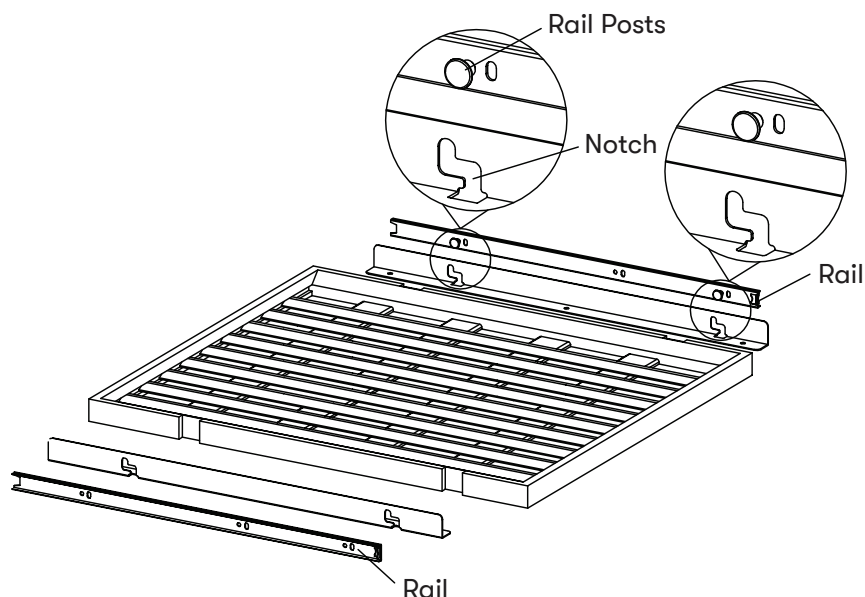
8. Reinstall the covers for the upper hand cover (1) on the lower left side and the lower hand cover (2) on the upper left side of the door.

Installation Instructions

- ▶ To prevent damaging the door or door gasket, make sure the door is open at least 90-degrees when pulling shelves out of the rail compartment.
- ▶ The door opens to a maximum of 115 degrees with a door stop on the bottom hinge preventing the door from opening further.

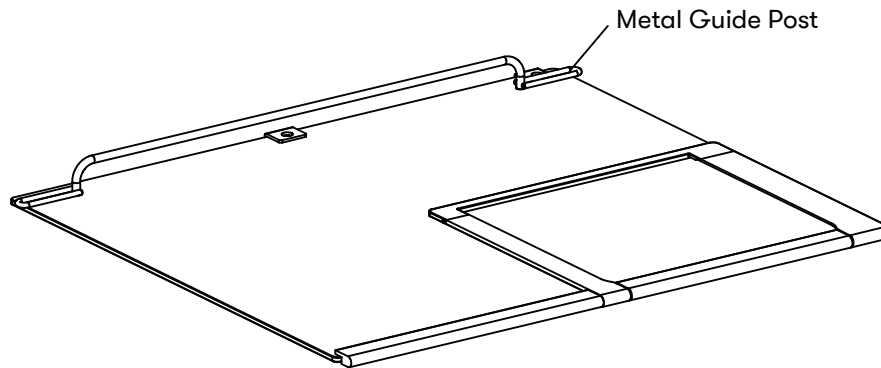
Removing the Wooden Roll-Out Shelves

1. Open the door completely.
2. Remove all of the contents loaded on the roll-out shelf, if applicable.
3. Line up the roll-out shelf notches with the rail posts as shown below. During this process, it is recommended to hold onto both rails as you move the roll-out shelf to line up the rail posts with the notches on both ends.
4. Evenly lift the shelf up and then pull the roll-out shelf out.

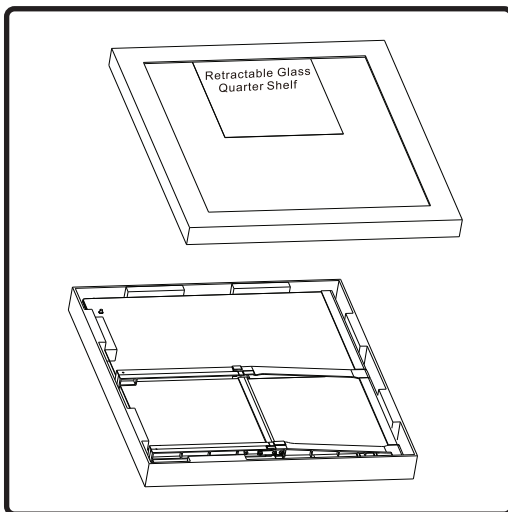


Removing the Glass Shelves

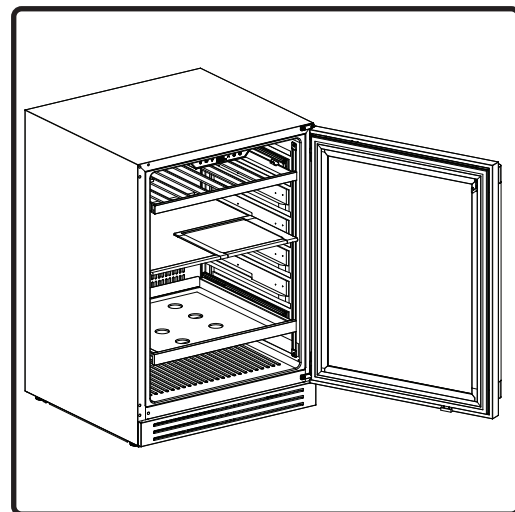
1. Open the door completely.
2. Remove all of the contents loaded on the roll-out shelf, if applicable.
3. Make sure the glass shelf is completely pushed back.
4. Carefully lift either the left or right side of the shelf to create a 45-degree angle from its original position. Do not lift either side of the shelf too hard as it may come in contact with the inner wall mount.
5. Remove the glass shelf by pulling it outward. There may be some resistance from the metal guard rail.



Retractable Glass Quarter Shelf Installation



1. Remove retractable glass quarter shelf from the packaging.



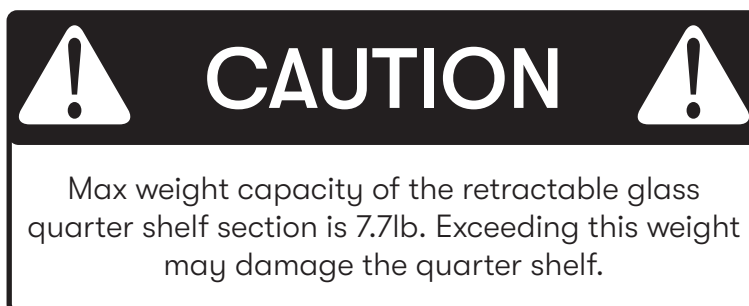
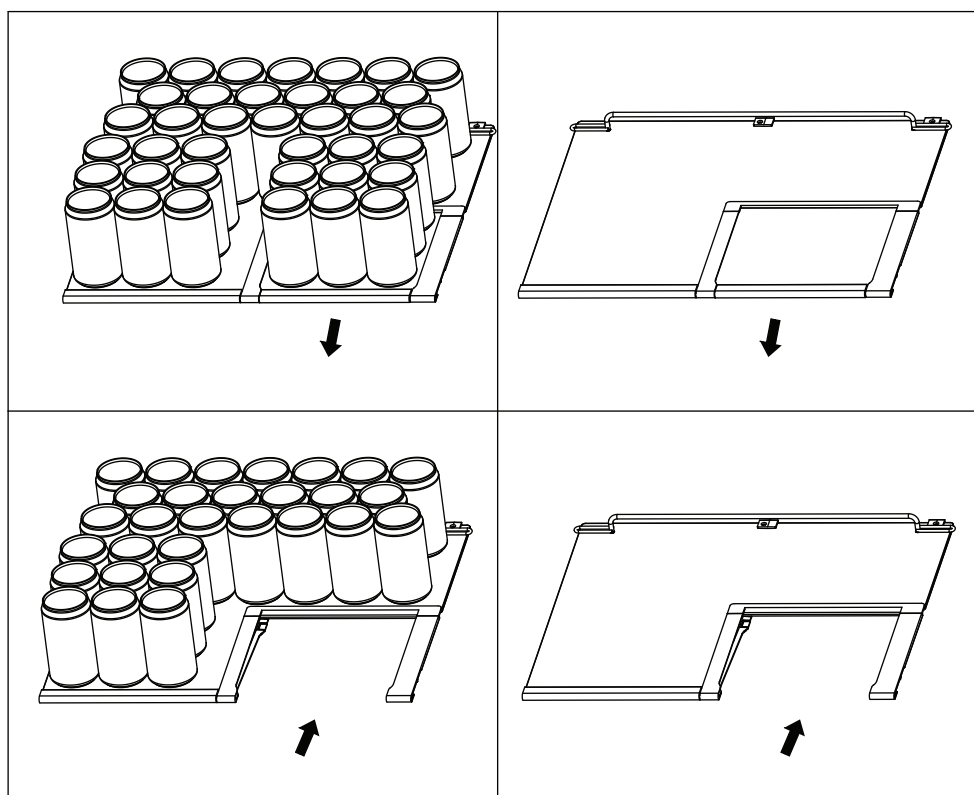
2. Carefully install the retractable glass quarter shelf in the desired position.

Installation Instructions

Using the Retractable Glass Quarter Shelf

One of the glass shelves consists of a retractable quarter shelf which will allow you to place bottles upright allowing storage of tall bottles and open containers. The storage capacity may be reduced when using the retractable quarter shelf.

1. Open the door completely.
2. Remove any drinks from the front right quarter of the shelf. Lift up on the front right edge of the shelf and gently pull out then push down and in to retract the glass shelf. Bottles can now be placed upright in the new space.
3. To close the right quarter of the shelf, follow step 2 in reverse and make sure the glass is stable before placing any drinks on the glass.

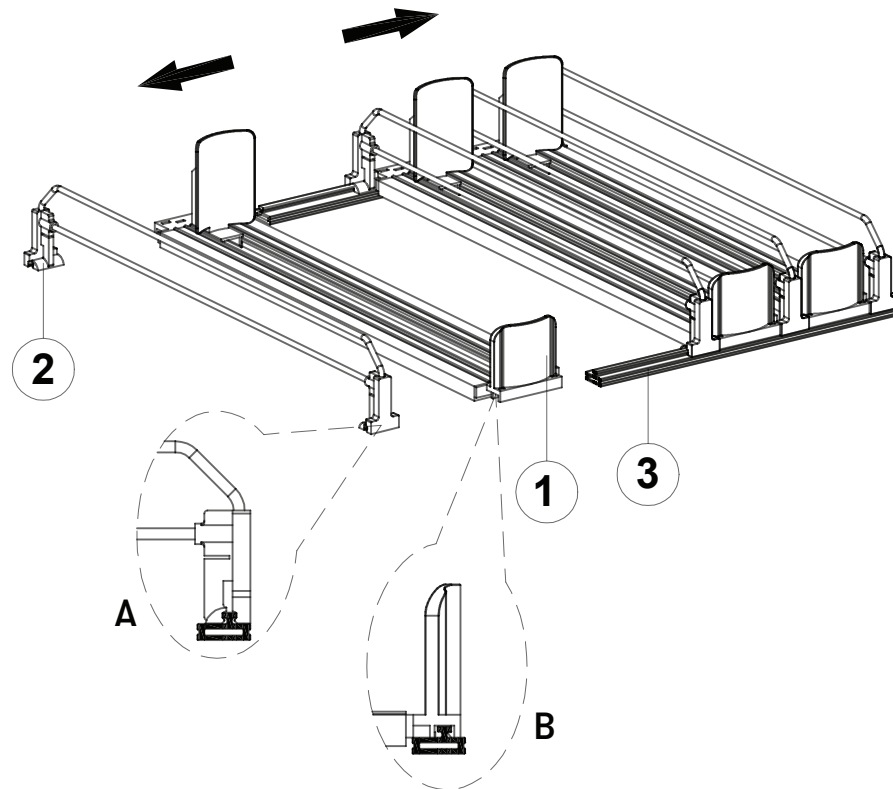


Beverage Dispenser Assembly

The beverage dispenser is an accessory that is easy to assemble and install. This accessory helps keep beverages in a convenient position so it is easier to grab while maximizing shelf space. Please follow the instructions below if you wish to assemble and install the beverage dispenser.

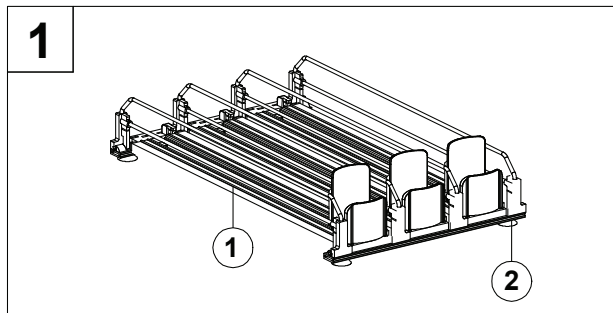
1. There are slots shown in (A) and (B) that are present on each end of the drink dispenser rows (1) and the beverage rails (2).
2. Thread the beverage dispenser rows (1) and beverage rails (2) onto the beverage dispenser strip (3) through the (A)/(B) slots.
3. Alternate the installation of the beverage dispenser row and beverage rails.
4. To remove each component from the beverage dispenser strip, carefully pull each component apart by shimmying the pieces.

NOTE: To accommodate larger diameter beverage containers, remove a beverage dispenser row.

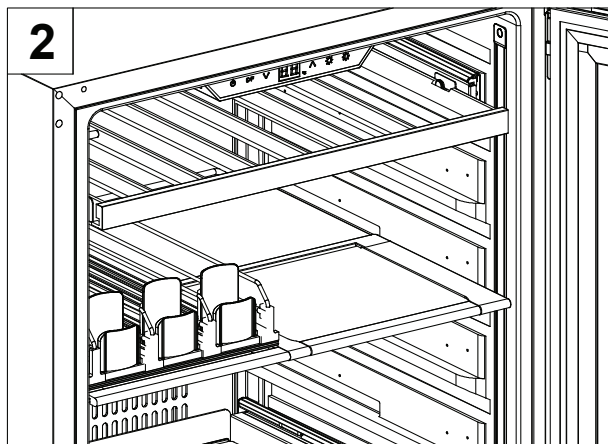


Installation Instructions

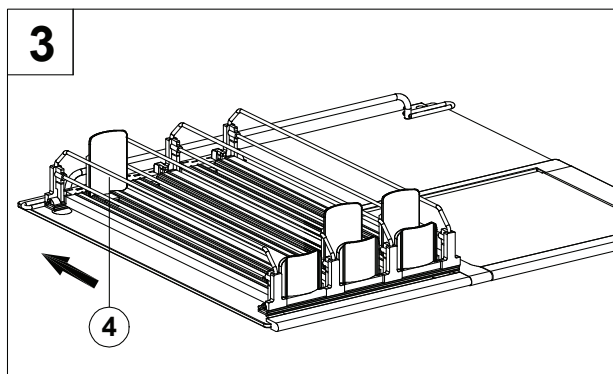
Beverage Dispenser Installation



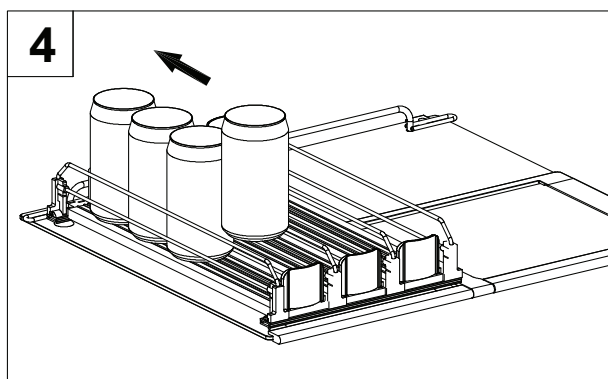
1. 4 suction cups (2) are present at the bottom of the beverage dispenser (1).



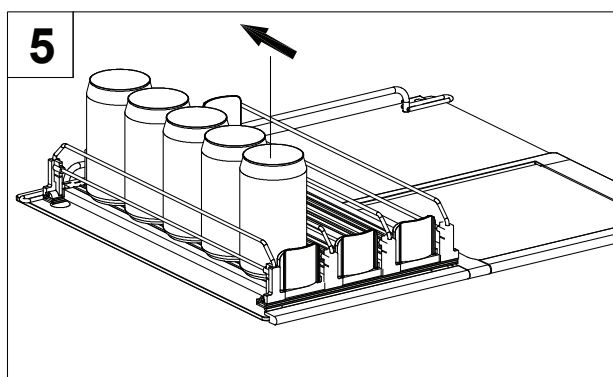
2. Place the beverage dispenser (1) onto the retractable glass shelf (3) and press gently against the glass shelf to adhere the beverage dispenser.



3. Push the push plate (4) to the back of the beverage dispenser to lock it.



4. Place the beverages onto the beverage dispenser.




5. Carefully push the front beverage in the front against all the other beverages to unlock the push plate, allowing the beverages to slide forward.

If the unit is unplugged, power lost, or turned off, you must wait 3 to 5 minutes before restarting the unit. If you attempt to restart before this time delay, the appliance may not start and will not keep the last set temperature.


Using the Control Panel




This beverage cooler has a temperature range from 34°F-50°F.


Power Button
 Press and hold this button for three seconds to power your unit on or off. While the unit is on, the R “Compressor Running” light may illuminate to indicate the internal compressor is active. After powering off, all button lights will stay off. Once any button is touched, the power button will illuminate for five seconds.

°C/°F Selector
 Press this button to switch the display temperature between Fahrenheit and Celsius.

Decrease Temperature
 Press this button to decrease the temperature by one (1) degree increments. 34°F is the lowest available temperature on this unit.

Increase Temperature
 Press this button to increase the temperature by one (1) degree increments. 50°F is the highest available temperature on this unit.

Light Brightness
 Press this button to cycle through different internal light brightness. The brightness increases from L0 to L1, L2, L3, and L4, and it will decrease from L4 to L0. When at L0, the lights will not turn on whether the door is opened or closed.

Interior Light
 Press this button to cycle through the different internal light settings. There are three light settings: Cloud White, Deep Blue and Amber.

NOTE: The beverage cooler is equipped with a temperature memory function. If power is suddenly lost, the previous set temperature, color, and brightness will be saved, and the cooler will return to this setting once power is restored.

Operating Your Appliance

Internal Light

This refrigerator is equipped with side internal lights that can be set to Cloud White, Deep Blue or Amber. Because the unit comes with a glass door, the inside will be seen whether the door is open or closed.

You can choose to display each color of light in two different modes: Display Mode and Automatic Mode by pressing and holding the Light Brightness button for 3 seconds. Display Mode will be signaled by showing “LN” on the display, and Automatic Mode will show “LF” on the display.

Automatic Mode: LF

The internal lights will illuminate each time the door is opened and fade off after the door is closed. This is the default lighting mode. This feature is triggered by a sensor located on the front vent that recognizes when the door is open or closed.

Display Mode: LN

The internal lights will remain illuminated whether the door is open or closed. The brightness will be based on your brightness setting when the door is closed, but will change to the highest brightness setting upon opening the door. This is a user-enabled lighting mode and will use more energy.

Display Brightness

The brightness of the controls can be adjusted by holding the °C/°F button and tapping the Light Brightness button. The brightness will increase when cycling from b1 to b2, b3, and b4, and it will decrease from b4 directly to b1.

Press and hold the Interior Light button for 3 seconds to switch between “CF” mode and “CN” mode. The display will show “CF” meaning the controls will remain on when the door is open, but it will fade off in 15 seconds when the door closes. The display will show “CN” meaning the controls will remain on regardless of the door being open or closed.

Door Open Alarm

After 3 minutes of the door being open an alarm will sound and the display will flash with 00.

Sabbath Mode

Sabbath mode disables system responses to user-initiated activities and all external functions, including lighting, display and audible alarms. The unit will still maintain internal temperatures and set points.

To enable or disable Sabbath mode, press and hold the °C/°F button for 5 seconds. The interior light and control display will go dark, excluding the °C/°F button, until the user disables Sabbath mode.

NOTE: Although the display will not be visible, the temperature settings will remain active and preserve the internal temperature. Sabbath mode will remain active until it is disabled by the user.

Demonstration Mode

In this mode, the compressor and fans never turn on but all other functions remain enabled. When in Demonstration Mode, the “R” indicator light will slowly blink indicating it is in Demonstration Mode.

To enable or disable Demonstration mode, hold Power Button and tap Decrease Temperature Button twice.

Temperature Alarm

If the interior temperature is higher than 73°F (23°C), “HI” is shown on the temperature control panel and the temperature alarm will sound continuously after one hour. This indicates that the inner temperature is too high. If the inner temperature is lower than 25°F (-4°C), “LO” is shown on the temperature display panel and the temperature alarm will sound continuously after 15 minutes. If one of these situations occur, please reference the troubleshooting section for support.

Operating Your Appliance

Defrosting

The beverage cooler is designed with an automatic defrost system. However, on colder settings, some frost may build up. Additionally, the more humid the ambient conditions, the more frost may build up. Keep the door closed as much as possible and avoid opening the door unnecessarily to minimize frost build-up.

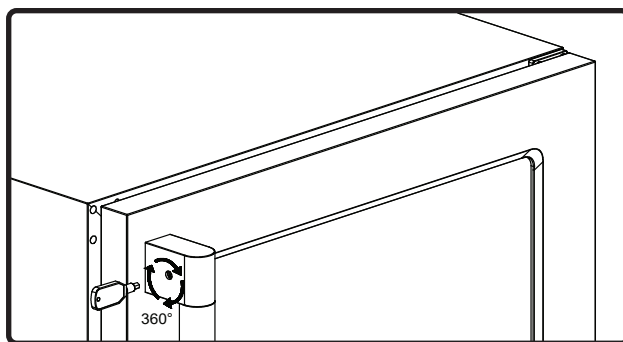
If frost is preventing the door from closing properly, you may need to power the unit off until the frost melts (possibly up to 24 hours). Use a soft absorbent towel to dry the unit.

! **WARNING** !

Never attempt to remove frost with a sharp object. Do not use mechanical devices or other means to accelerate the defrosting process, other than those recommended by the manufacturer.

Child Safety Lock

The beverage cooler has a child safety lock designed to keep beverages within the cooler out of reach for children. On top of the pro door handle on the side, a keyhole will be visible. To lock the beverage cooler, insert the provided key into the keyhole and turn it clockwise. Turn it counterclockwise to unlock the beverage cooler.



Normal Sounds

Your new beverage cooler may make sounds that are not familiar to you. Most of the new sounds are normal. Hard surfaces like the floor or walls can make the sounds seem louder than they actually are. The following describes the kinds of sounds that might be new to you and what may be making them.

- ▶ Rattling noises may come from the flow of the refrigerant or the water line.
- ▶ Items stored on top of the beverage cooler can also make noises.
- ▶ The high efficiency compressor may make a pulsating or high-pitched sound.
- ▶ Water running from the evaporator to the water bin may make a splashing sound.
- ▶ As each cycle ends, you may hear a gurgling sound due to the refrigerant flowing in your beverage cooler.
- ▶ You may hear air being forced over the condenser by the condenser fan.

Cleaning the Unit

Periodic cleaning and proper maintenance will ensure efficiency, top performance, and long life.

Interior Cleaning

1. Disconnect power to the unit.
2. Open the door and remove the contents and shelves.
3. With a clean cloth, wipe down the interior of the unit.
4. Reinsert the shelves and beverages.
5. Reconnect power to the unit.

Exterior Cleaning

The door and cabinet may be cleaned with a mild detergent and lukewarm water solution such as two (2) tablespoons of baking soda to one (1) quart of water. Do not use solvent based or abrasive cleaners. Use a soft sponge and rinse with clean water. Wipe with a soft clean towel to prevent water spotting. If the door panel is stainless steel, it can discolor when exposed to chlorine gas and moisture. Clean stainless steel with a cloth dampened with a mild detergent and warm water solution. Never use an abrasive or caustic cleaning agent.

Care and Maintenance

Power Failure

Most power failures are corrected within a few hours and should not affect the temperature of your appliance if you minimize the number of times the door is opened. If the power is going to be off for a longer period of time, you need to take the proper steps to protect your contents.

Moving Your Beverage Cooler

- ▶ Remove all items.
- ▶ Securely tape down all loose items (shelves) inside your appliance.
- ▶ Turn the adjustable leg all the way up (clockwise) to the base to avoid damage.
- ▶ Tape the door shut.
- ▶ Be sure the appliance stays secure in the upright position during transportation. Also protect outside of appliance with a blanket, or similar item.

Energy Saving Tips

- ▶ The appliance should be located in the coolest area of the room, away from heat producing appliances, and out of the direct sunlight.
- ▶ Ensure that the unit is adequately ventilated. Never cover air vents.
- ▶ Only open the door for as long as necessary.

Possible Problem	Possible Cause	Solutions
The appliance does not operate.	Not plugged in.	Ensure the appliance is plugged in and the power outlet has power.
	The appliance is turned off.	Turn on the appliance.
	The circuit breaker tripped or has a blown fuse.	Replace the broken fuse or reset the breaker.
	Sabbath mode may be enabled.	See the Operating Your Appliance section and verify if Sabbath mode is disabled.
The appliance is not cold enough.	Temperature control setting is too high.	Adjust the set temperature.
	External environment may require a higher setting.	Keep the appliance away from sunshine or other heat sources.
	The door is opened too frequently or for long periods of time.	Close the door tightly and do not open the door too frequently or for a long period of time.
	The door gasket is not sealed properly.	Ensure the door gasket is not loose.
	Demonstration mode may be enabled.	See the Operating Your Appliance section and verify if Demonstration mode is disabled.
	The cooler does not have sufficient ventilation.	Read and follow the “Installation Clearance Requirements” in the Installation Instructions section.
	The cooler has restricted air flow due to too much storage.	Open space in the cabinet to allow air flow.
The appliance turns on and off frequently.	The room temperature is hotter than normal.	Run the refrigerator at the appropriate ambient temperature.
	The door gasket is not sealed properly.	Ensure the door gasket is not loose.
	The door is opened too frequently or for long periods of time.	Close the door tightly and do not open the door too frequently or for a long period of time.
	The cooler does not have sufficient ventilation.	Read and follow the “Installation Clearance Requirements” in the Installation Instructions section.
	The door is not closed completely	Make sure the door is completely closed.
The body of the appliance is electrified.	The unit is not properly grounded.	Contact your local electrician to test your electrical grounding system.

Troubleshooting

Possible Problem	Possible Cause	Solutions
Frost is forming in the appliance.	The environment is too humid.	The unit uses an 'auto-defrost' system, under certain conditions, manual defrosting may be required. If frost builds up, you can try running the refrigerator on a warmer temperature setting, minimizing the number of times you open the door or unplugging the unit to allow the frost to melt.
	The ambient temperature is too low.	
	The door is being opened too frequently.	
The appliance makes too much noise.	The rattling noise may come from the flow of the refrigerant, which is normal. As each cycle ends, you may hear gurgling sounds caused by the flow of refrigerant in the appliance.	It is normal that as each cooling cycle ends, you may hearing rattling or gurgling sounds caused by the flow of refrigerant in the appliance. The high efficiency compressor may make a pulsating or high pitched sound.
	Contraction and expansion of the inside walls may cause popping and cracking noises.	Some popping or cracking noises are normal. They are caused by expansion and contraction of the inside walls due to temperature changes.
	The unit is not level or is touching another appliance.	Check to make sure the cooler is level and that it is non in contact with another appliance or furniture.
The door will not close properly.	The appliance is not level.	Make sure the appliance is on a level surface.
	The door gasket is not installed correctly.	Make sure the door gasket is properly installed.
	The gasket is dirty.	Clean the door gasket.
	The shelves are out of position.	Install the shelves correctly.

Zephyr Ventilation, LLC (referred to herein as “we” or “us”) warrants to the original consumer purchaser (referred to herein as “you” or “your”) of Zephyr products (the “Products”) that such Products will be free from defects in materials or workmanship as follows:

Five Year Limited Warranty for Compressor: For five years from the date of your original purchase of the Products, we will provide, free of charge, compressor parts to replace those that failed due to manufacturing defects subject to the exclusions and limitations below.

Two Year Limited Warranty for Parts: For two years from the date of your original purchase of the Products, we will provide, free of charge, Products or parts (including LED light bulbs, if applicable) to replace those that failed due to manufacturing defects subject to the exclusions and limitations below. We may choose, in our sole discretion, to repair or replace parts before we elect to replace the Products.

Two Year Limited Warranty for Labor: For two years from the date of your original purchase of the Products, we will provide, free of charge, the labor cost associated with repairing the Products or parts to replace those that failed due to manufacturing defects subject to the exclusions and limitations below.

To Obtain Service Under Limited Warranty: To qualify for warranty service, you must: (a) notify us at www.zephyronline.com/contact within 60 days of discovering the defect; (b) give the model number and serial number; and (c) describe the nature of any defect in the Product or part. At the time of the request for warranty service, you must present evidence of your proof of purchase and proof of the original purchase date. If we determine that the warranty exclusions listed above apply or if you fail to provide the necessary documentation to obtain service, you will be responsible for all shipping, travel, labor and other costs related to the services. This warranty is not extended or restarted upon warranty repair or replacements.

Warranty Exclusions: This warranty covers only repair or replacement, at our option, of defective Products or parts and does not cover any other costs related to the Products including but not limited to: (a) normal maintenance and service required for the Products and consumable parts such as filters, light bulbs, fuses; (b) any Products or parts which have been subject to freight damage, misuse, negligence, accident, faulty installation or installation contrary to recommended installation instructions, improper maintenance or repair (other than by us); (c) commercial or government use of the Products or use otherwise inconsistent with its intended purpose; (d) natural wear of the finish of the Products or wear caused by improper maintenance, use of corrosive and abrasive cleaning products, pads, and oven cleaner products; (e) chips, dents or cracks caused by abuse or misuse of the Products; (f) service trips to your home to teach you how to use the Products; (g) damage to the Products caused by accident, fire, floods, acts of God; or (h) Custom installations or alterations that impact serviceability of the Products. (i) Damage to personal property or food spoilage from use of this product. If you are outside our service area, additional charges may apply for shipping costs for warranty repair at our designated service locations and for the travel cost to have a service technician come to your home to repair, remove or reinstall the Products. After the first year from the date of your original purchase, you are also responsible for all labor costs associated with this warranty. All Products must be installed by a qualified professional installer to be eligible for warranty repairs or service.

Limitations of Warranty: OUR OBLIGATION TO REPAIR OR REPLACE, AT OUR OPTION, SHALL BE YOUR SOLE AND EXCLUSIVE REMEDY UNDER THIS WARRANTY. WE SHALL NOT BE LIABLE FOR INCIDENTAL, CONSEQUENTIAL OR SPECIAL DAMAGES ARISING OUT OF OR IN CONNECTION WITH THE USE OR PERFORMANCE OF THE PRODUCTS. THE EXPRESS WARRANTIES IN THE PRECEDING SECTION ARE EXCLUSIVE AND IN LIEU OF ALL OTHER EXPRESS WARRANTIES FOR THE PRODUCTS, AND DISCLAIM AND EXCLUDE ALL WARRANTIES IMPLIED BY LAW, INCLUDING THOSE OF MERCHANTABILITY AND FITNESS FOR A PARTICULAR PURPOSE. Some states or provinces do not allow limitations on the duration of an implied warranty or the exclusion or limitation of incidental or consequential damages, so the above limitations or exclusions may not apply to you. To the extent that applicable law prohibits the exclusion of implied warranties, the duration of any applicable implied warranty is limited to the same two-year and one-year periods described above if permitted by applicable law. Any oral or written description of the Products is for the sole purpose of identifying the Products and shall not be construed as an express warranty. Prior to using, implementing or permitting use of the Products, you shall determine the suitability of the Products for the intended use, and you shall assume all risk and liability whatsoever in connection with such determination. We reserve the right to use functionally equivalent refurbished or reconditioned parts or Products as warranty replacements or as part of warranty service. This warranty is not transferable from the original purchaser and only applies to the consumer residence where the Product was originally installed located in the United States and Canada. This warranty is not extended to resellers.

Please check our website for any additional product information, www.zephyronline.com
For warranty support, contact us at www.zephyronline.com/contact

Don't Forget to Register your Zephyr Presrv™ Cooler

Congratulations on your Presrv purchase! Please take a moment to register your new cooler.

Why is it important?

Prompt registration helps in more ways than one:

- Ensures warranty coverage should you need service
- Ownership verification for insurance purposes
- Notification of product changes or recalls

How about a review?

While you're at it, leave a review to let us know how much you love your cooler.



Register

zephyronline.com/registration



Review

qrs.ly/c7ea9sj

Search your Presrv model number in the top navigation bar

ZEPHYR

zephyronline.com | 2277 Harbor Bay Pkwy. | Alameda, CA 94520

ZEPHYR

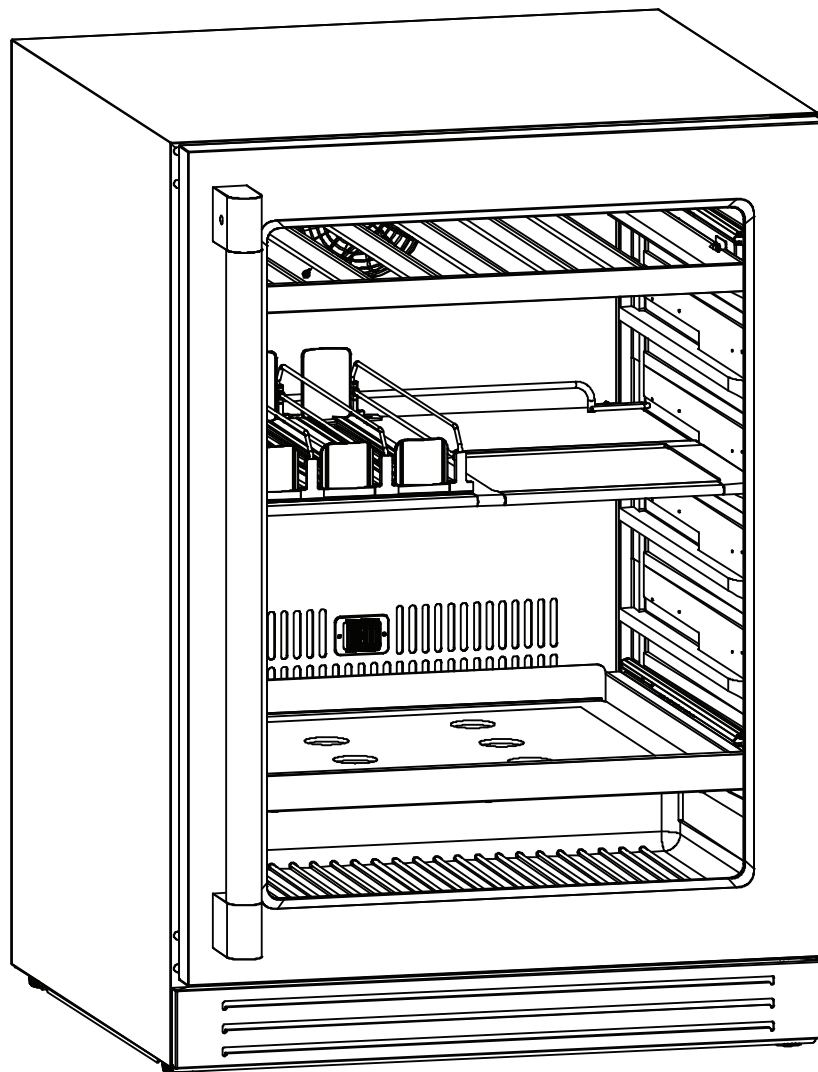
WWW.ZEPHYRONLINE.COM

PRPB24C01CG

Presrv™ refroidisseur de boissons à zone unique pro

EN Use, Care, and Installation Guide

FR Guide d'utilisation, d'entretien et d'installation



	Page
Consignes de sécurité	4-7
Types d'avertissements de sécurité.....	4
Sécurité générale	4-5
Élimination des anciens appareils.....	5-6
Avant d'utiliser votre appareil	6
Installation de votre appareil	6
Attention.....	7
Conservez ces instructions	7
Connexion électrique.....	7
Introduction	8
Liste de matériel	9
Spécifications du produit	10-11
Informations sur le produit.....	10
Identification des pièces	10
Entreposage interne	11
Dimensions	11
Instructions d'installation	12-20
Espace libre requis pour l'installation.....	12
Filtre à charbon	13
Installation de la poignée	13
Inverser le sens d'ouverture de la porte de votre appareil	14-15
Retrait des tablettes coulissantes en bois	16
Retrait des étagères en verre	17
Installation d'une tablette rétractable en verre	17
Utilisation de l'étagère quart de verre rétractable	18
Ensemble de distributeur de boissons	19
Installation de distributeur de boissons.....	20
Fonctionnement de votre appareil	21-24
Utilisation du tableau commande.....	21
Éclairage intérieur	22
Luminosité de l'affichage.....	22
Alarme de porte ouverte	22
Mode Shabbath	23
Mode vitrine	23
Alarme de température.....	23
Dégivrage.....	24
Verrouillage de sécurité pour enfants.....	24
Entretien.....	25-26
Bruits normaux	25
Nettoyage et entretien	25
Panne d'électricité.....	26
Déplacement du refroidisseur de boissons.....	26
Conseils d'économie d'énergie.....	26
Dépannage	27-28
Garantie limitée	29
Enregistrement du produit	30

Consignes de sécurité

Votre sécurité et celle des gens qui vous entourent sont très importantes.

Ce manuel contient de nombreux messages de sécurité relatifs à votre appareil. Lisez tous les messages et conformez-vous-y en tout temps.



Voici le symbole d'alerte à la sécurité. Ce symbole vous informe de possibles dangers qui pourraient entraîner de graves lésions corporelles ou la mort. Tous les messages de sécurité suivent le symbole d'alerte à la sécurité et comportent les mots « **DANGER** », « **AVERTISSEMENT** » ou « **ATTENTION** ».

DANGER

Le mot « danger » signifie que le fait de ne pas tenir compte de l'énoncé de sécurité peut entraîner une blessure grave ou la mort.

AVERTISSEMENT

Le mot « avertissement » signifie que le fait de ne pas tenir compte de l'énoncé de sécurité peut entraîner des dommages importants au produit, une lésion corporelle grave ou la mort.

ATTENTION

Le mot « attention » signifie que le fait de ne pas tenir compte de l'énoncé de sécurité peut entraîner une lésion corporelle mineure ou modérée, ou encore des dommages au produit ou à la propriété.

Sécurité générale

DANGER

Lors de l'utilisation d'un appareil électrique, des précautions de base doivent toujours être respectées pour réduire les risques d'incendie, de choc électrique et de blessures corporelles.

AVERTISSEMENT

Pour réduire le risque d'incendie, de choc électrique ou de blessure corporelle, débranchez ou déconnectez l'appareil de l'alimentation électrique avant toute intervention d'entretien.

ATTENTION

Réfrigérant inflammable utilisé ! Lors de la manipulation, du déplacement et de l'utilisation du réfrigérateur, veillez à ne pas endommager les tubes du réfrigérant ou à ne pas augmenter le risque de fuite.

AVERTISSEMENT

Ne pas endommager le circuit frigorifique.

AVERTISSEMENT

N'utilisez pas d'appareils électriques à l'intérieur des compartiments de stockage des aliments de l'appareil, sauf s'ils sont du type recommandé par le fabricant.

- ▶ Utilisez cet appareil uniquement comme décrit dans ce manuel. Toute autre utilisation non recommandée peut provoquer un incendie, une décharge électrique ou des blessures corporelles.
- ▶ Cet appareil n'est pas destiné à être utilisé par de jeunes enfants ou des personnes handicapées, à moins qu'ils ne soient correctement surveillés par une personne responsable pour s'assurer qu'ils peuvent utiliser l'appareil en toute sécurité.
- ▶ Les jeunes enfants doivent être surveillés pour s'assurer qu'ils ne jouent jamais avec l'appareil.
- ▶ Pour éviter tout risque de décharge électrique, NE JAMAIS IMMERGER l'appareil, le cordon ou la fiche dans l'eau ou pulvériser tout autre liquide.
- ▶ Débranchez l'appareil de la prise lorsqu'il n'est pas utilisé, lorsque vous le déplacez d'un endroit à un autre et avant de le nettoyer.
- ▶ Pour débrancher l'appareil, saisissez la fiche et débranchez-la de la prise murale. Ne tirez jamais par le cordon.

Pour votre sécurité, lisez toutes les instructions avec soin avant de faire fonctionner l'appareil.

- ▶ N'utilisez jamais l'appareil en présence de vapeurs explosives et/ou inflammables.
- ▶ Ne placez jamais l'appareil ou l'une de ses pièces à proximité d'une flamme nue, d'un appareil de cuisson ou d'un autre appareil de chauffage.
- ▶ N'utilisez jamais l'appareil avec un cordon ou une fiche endommagés, si le produit fonctionne mal, s'il est tombé ou s'il est endommagé de quelque manière que ce soit.
- ▶ L'utilisation d'accessoires non recommandés par le fabricant peut être dangereuse.
- ▶ Ne faites jamais fonctionner l'appareil si le boîtier est retiré ou endommagé.
- ▶ Un ajustement lâche entre la prise secteur (prise) et la fiche peut provoquer une surchauffe et une déformation de la fiche. Contactez un électricien qualifié pour remplacer une prise desserrée ou usée.
- ▶ Placez l'appareil à l'abri de la lumière directe du soleil et des sources de chaleur (poêle, chauffage, radiateur, etc.).
- ▶ Cet appareil ne contient ni CFC ni HFC et contient de petites quantités d'isobutane (R600a), un liquide de refroidissement respectueux de l'environnement.
- ▶ Vous devez vous assurer que le circuit de refroidissement n'est pas endommagé lors de l'installation de l'appareil.
- ▶ Cependant, s'il est endommagé, évitez la proximité de feux ouverts et de sources de chaleur de toutes sortes. La pièce dans laquelle se trouve l'appareil doit être correctement ventilée et conformément aux codes nationaux et locaux.
- ▶ N'utilisez jamais un appareil dont le circuit est endommagé. Veillez à ce que les ouvertures de ventilation vers et depuis un appareil encastré ne soient jamais obstruées ou couvertes.
- ▶ Nous déclinons toute responsabilité pour tout dommage causé par une mauvaise utilisation de l'appareil ou par des réparations effectuées par une personne non qualifiée. Dans ce cas, ni la garantie ni aucune autre réclamation en responsabilité ne s'appliqueront.

AVERTISSEMENT

Avertissement Prop. 65 pour les résidents de la Californie: ce produit peut contenir des produits chimiques reconnus par l'état de la Californie comme pouvant causer le cancer, des anomalies congénitales ou d'autres troubles de la reproduction.

AVERTISSEMENT

N'utilisez jamais d'autres appareils électriques à l'intérieur de cet appareil.

- ▶ N'essayez jamais de réparer ou de remplacer une pièce de votre appareil, sauf si cela est spécifiquement recommandé dans ce manuel. Toute autre réparation doit être confiée à un technicien qualifié.
- ▶ Remettez en place tous les panneaux d'accès avant de faire fonctionner l'appareil.
- ▶ Utilisez deux personnes ou plus pour déplacer et installer l'appareil. Le non-respect de cette consigne peut entraîner des blessures au dos ou autres.
- ▶ Ne nettoyez jamais les pièces de l'appareil avec des liquides inflammables. Ces vapeurs peuvent créer un risque d'incendie ou d'explosion. Ne stockez ni n'utilisez jamais d'essence ou d'autres vapeurs et liquides inflammables à proximité de cet appareil ou de tout autre appareil. Les vapeurs peuvent créer un risque d'incendie ou d'explosion.
- ▶ Ne branchez ou ne débranchez jamais la prise électrique avec les mains mouillées.
- ▶ Il est recommandé de prévoir un circuit séparé, desservant uniquement votre appareil. Utilisez des prises qui ne peuvent pas être éteintes par un interrupteur ou une chaînette.

AVERTISSEMENT

Pour réduire le risque d'incendie, de choc électrique ou de blessure corporelle, débranchez ou déconnectez l'appareil de l'alimentation électrique avant toute intervention d'entretien.

Élimination des anciens appareils

Éliminez l'emballage de votre appareil de manière appropriée. Les équipements de réfrigération doivent être éliminés de manière appropriée et respectueuse de l'environnement. Cela s'applique à votre ancien appareil ainsi qu'à votre nouvel appareil une fois qu'il a atteint la fin de sa durée de vie.

Consignes de sécurité

Pour votre sécurité, lisez toutes les instructions avec soin avant de faire fonctionner l'appareil.

AVERTISSEMENT

Veillez à ce que les appareils usagés soient rendus inutilisables avant leur mise au rebut en débranchant la fiche, en coupant le câble d'alimentation et en retirant ou détruisant les éventuels boutons-pression ou boulons. Vous évitez ainsi que les enfants s'enferment dans l'appareil pendant qu'ils jouent (risque d'étouffement) ou mettent leur vie en danger de toute autre manière.

- ▶ L'appareil ne doit pas être jeté avec les ordures ménagères.
- ▶ Le circuit de refroidissement, notamment l'échangeur thermique à l'arrière/en bas de l'appareil, ne doit pas être endommagé.
- ▶ Le symbole sur le produit ou son emballage indique que ce produit ne doit pas être traité comme un déchet ménager normal, mais doit être déposé dans un point de collecte pour le recyclage des appareils électriques et électroniques. En éliminant correctement ce produit, vous contribuez à la protection de l'environnement. Une élimination incorrecte met en danger la santé et l'environnement. Pour plus d'informations sur le recyclage du produit, contactez votre mairie ou le service local de collecte des déchets.

Avant d'utiliser votre appareil

- ▶ Retirez tous les emballages extérieurs et intérieurs.
- ▶ Avant de brancher l'appareil sur une source d'alimentation, laissez-le en position verticale pendant environ 2 heures. Cela réduira le risque de dysfonctionnement du système de refroidissement causé par la manipulation pendant le transport.
- ▶ Nettoyez la surface intérieure à l'eau tiède à l'aide d'un chiffon doux.
- ▶ La porte de cet appareil peut être ouverte du côté gauche ou du côté droit. L'appareil est livré avec l'ouverture de la porte du côté gauche. Si vous souhaitez ouvrir la porte du côté droit, suivez les instructions « Inversion du sens d'ouverture de la porte de votre appareil » ci-dessous.

Installation de votre appareil

AVERTISSEMENT

Ne pas stocker ni installer l'appareil à l'extérieur.

- ▶ Les appareils sont conçus pour une installation encastrée ou autonome.
- ▶ Placez votre appareil sur un sol suffisamment solide pour le supporter lorsqu'il est entièrement chargé. Pour mettre votre appareil à niveau, ajustez les 4 pieds jusqu'à ce qu'ils soient à niveau.
- ▶ Placez l'appareil à l'abri de la lumière directe du soleil et des sources de chaleur (poêle, chauffage, radiateur, etc.). La lumière directe du soleil peut affecter le revêtement acrylique et les sources de chaleur peuvent augmenter la consommation électrique. Les températures ambiantes extrêmement froides peuvent également empêcher l'appareil de fonctionner correctement.
- ▶ Ne placez jamais l'appareil dans des zones humides.
- ▶ Branchez l'appareil sur une prise électrique exclusive et facilement accessible.
- ▶ Toute question concernant l'alimentation et/ou le raccordement électrique doit être adressée à un électricien qualifié ou à un centre de service après-vente agréé.
- ▶ L'évent d'aération à l'avant de l'appareil ne doit jamais être recouvert ou bloqué de quelque façon que ce soit.

AVERTISSEMENT

Maintenez éloignées de toute obstruction les ouvertures de ventilation dans l'enceinte de l'appareil ou dans la structure d'encastrement.

- ▶ L'appareil doit être installé sur toutes les connexions électriques conformément aux codes nationaux et locaux.
- ▶ Utilisez deux personnes ou plus pour déplacer et installer le refroidisseur de boissons. Le non-respect de cette consigne peut entraîner des blessures au dos ou autres.
- ▶ Le refroidisseur peut subir une diminution de l'efficacité de refroidissement si le flux d'air est restreint en raison d'une armoire entièrement chargée.
- ▶ Installez le refroidisseur dans un endroit bien ventilé où la température ambiante est supérieure à 50 °F (10 °C) et inférieure à 90 °F (32 °C).

Pour votre sécurité, lisez toutes les instructions avec soin avant de faire fonctionner l'appareil.

Attention

- ▶ Ne surchargez jamais l'armoire.
- ▶ N'ouvrez jamais la porte à moins que cela ne soit nécessaire.
- ▶ Ne recouvrez jamais les étagères de papier aluminium ou de tout autre matériau susceptible d'empêcher la circulation de l'air.
- ▶ Ne stockez pas de substances explosives telles que des bombes aérosols contenant un gaz propulseur inflammable dans cet appareil.
- ▶ Si l'appareil reste vide pendant de longues périodes, il est conseillé de le débrancher et, après un nettoyage minutieux, de laisser la porte entrouverte pour permettre à l'air de circuler à l'intérieur de l'armoire afin d'éviter la formation éventuelle de condensation, de moisissure ou d'odeurs.

Conservez ces instructions

Si vous rencontrez des problèmes, consultez le Guide de dépannage à la fin de ce manuel. Il répertorie les causes des problèmes de fonctionnement mineurs que vous pouvez corriger vous-même.

Connexion électrique



Vérifiez que la tension indiquée sur le produit correspond à la tension d'alimentation.

Cet appareil doit être correctement relié à la terre pour votre sécurité. Le cordon d'alimentation de cet appareil est équipé d'une fiche à trois broches qui s'adapte aux prises murales standard à trois broches afin de minimiser les risques de décharge électrique.

Ne coupez ou ne retirez en aucun cas la troisième broche de terre du cordon d'alimentation fourni. Pour des raisons de sécurité personnelle, cet appareil doit être correctement relié à la terre.

Faites vérifier la prise murale et le circuit par un électricien qualifié pour vous assurer que la prise est correctement reliée à la terre. Lorsqu'une prise murale standard à deux broches est rencontrée, il est de votre responsabilité et de votre obligation de la faire remplacer par une prise murale à trois broches correctement reliée à la terre.

Pour éviter toute blessure accidentelle, le cordon doit être fixé derrière l'appareil et ne doit pas être laissé exposé ou suspendu.

L'appareil doit toujours être branché sur sa propre prise électrique individuelle dont la tension nominale correspond à l'étiquette signalétique de l'appareil. Cela permet d'obtenir les meilleures performances et d'éviter également de surcharger les circuits de câblage qui pourraient provoquer un risque d'incendie dû à une surchauffe. Ne débranchez jamais l'appareil en tirant sur le cordon d'alimentation. Tenez toujours fermement la fiche et tirez-la directement hors de la prise. Réparez ou remplacez immédiatement tous les cordons d'alimentation effilochés ou endommagés. N'utilisez jamais un cordon présentant des fissures ou des dommages dus à l'abrasion sur toute sa longueur ou à l'une ou l'autre de ses extrémités. Lorsque vous déplacez l'appareil, veillez à ne pas endommager le cordon d'alimentation.

N'utilisez jamais votre appareil avec une rallonge, sauf si celle-ci a été vérifiée et testée par un technicien ou un technicien qualifié. La rallonge doit être une rallonge à 3 fils avec mise à la terre homologuée UL/CUL, dotée d'une fiche et d'une prise de terre et dont la puissance nominale électrique est de 115 volts et d'au moins 10 ampères. N'utilisez pas d'adaptateurs non mis à la terre (à deux broches).

Introduction

Merci de vous être procuré un refroidisseur de boissons Zephyr.

Zephyr se spécialise dans l'élaboration de produits de qualité supérieure dotés de fonctionnalités distinctives qui améliorent votre style de vie. Veuillez visiter le www.zephyronline.com pour obtenir de plus amples renseignements sur votre appareil et sur d'autres produits Zephyr.

Ce manuel contient des renseignements importants relatifs à l'installation, à l'utilisation et à l'entretien adéquats de votre refroidisseur de boissons. Suivez les instructions de ce manuel pour maximiser le rendement et l'efficacité de votre appareil.

Pour vos dossiers

Veillez prendre note du numéro de modèle et du numéro de référence de votre appareil et les inscrire ci-dessous en vue de consultations ultérieures. Ces deux numéros, nécessaires pour obtenir les services d'entretien et de réparation couverts par la garantie, se trouvent sur la plaque signalétique située à l'arrière de l'appareil. Vous pouvez également agraffer votre reçu au manuel, puisqu'il s'agit de la preuve d'achat dont vous pourriez aussi avoir besoin pour obtenir du service pendant la période de garantie.





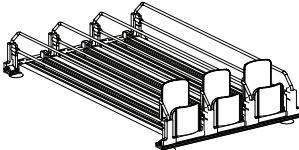
Numéro de modèle :

Numéro de série :

Date d'achat :

Pour que nous puissions vous offrir un service optimal, veuillez suivre les instructions suivantes lorsque vous communiquez avec le service à la clientèle de Zephyr :

- ▶ Si vous avez reçu un produit endommagé, communiquez immédiatement avec le marchand ou détaillant qui vous a vendu le produit.
- ▶ Lisez et suivez les instructions contenues dans le présent manuel pour bien installer et utiliser votre refroidisseur de boissons, et en effectuer l'entretien.
- ▶ Lisez la section sur le dépannage pour diagnostiquer et pour solutionner les problèmes les plus fréquents.
- ▶ Visitez-nous en ligne à <http://www.zephyronline.com> pour télécharger des guides sur nos produits, des ressources de dépannage supplémentaires et des informations actualisées.
- ▶ Si vous avez besoin d'un service de garantie, nos sympathiques représentants du service clientèle sont disponibles sur notre site Web à l'adresse <http://zephyronline.com/contact>.

Quantité	Partie
	Clé Allen M3 (clé hexagonale)
	Vis à tête plate hexagonale (M5*16)
	Clés
	Clous décoratifs noirs
	Distributeur de boissons

Spécifications du produit

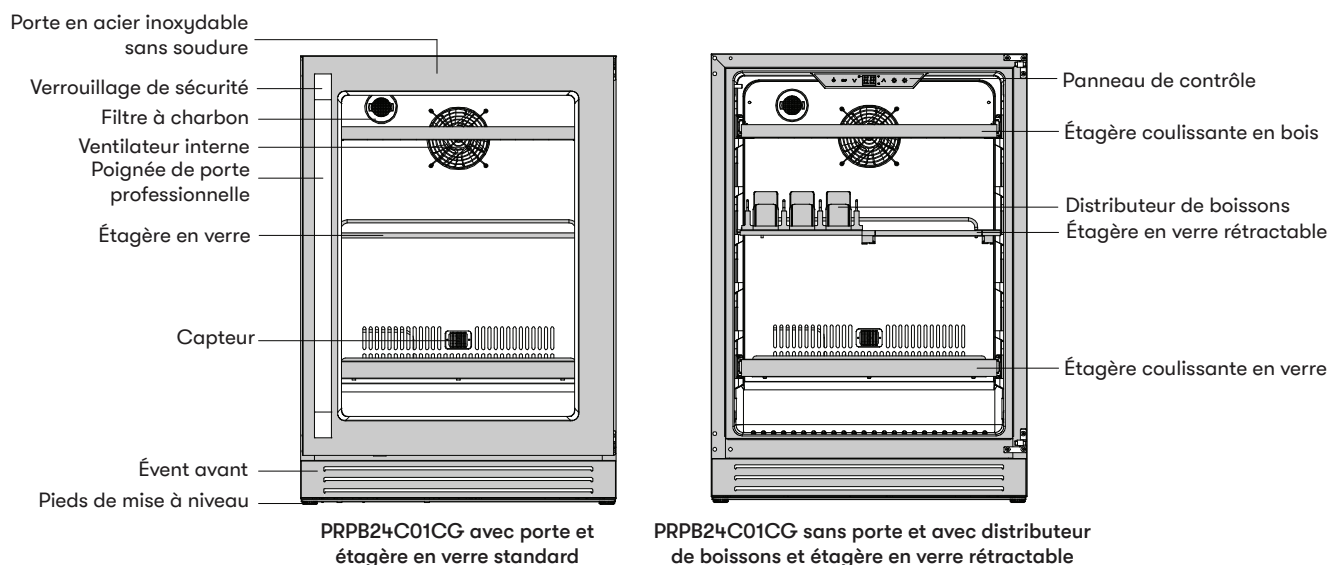
Informations sur le produit

Cet appareil doit être branché à une prise électrique standard mise à la terre de 115/120 volts, c.a. de ~60 Hz.

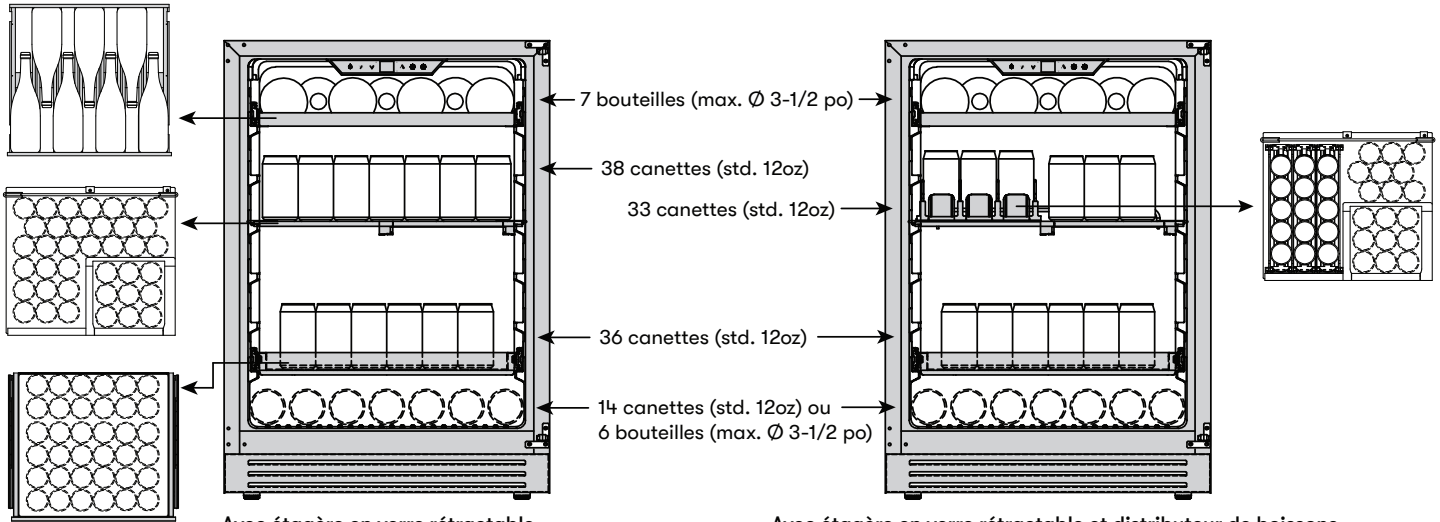
DESCRIPTION DU PRODUIT	Presrv™ refroidisseur de boissons à zone unique pro
MODÈLE	PRPB24C01CG
TENSION/FRÉQUENCE	AC 115/60Hz
INTENSITÉ DE COURANT	1.5A
COULEUR	Boîtier noir avec porte en acier inoxydable
CAPACITÉ D'ENTREPOSAGE*	(7) 750ml bouteilles + (88) 12oz canettes ou (13) 750 bouteilles + (74) 12oz canettes
CAPACITÉ DE STOCKAGE AVEC DISTRIBUTEUR DE BOISSONS*	(7) 750ml bouteilles + (83) 12oz canettes ou (13) 750 bouteilles + (69) 12oz canettes
RÉFRIGÉANT	R600a
PLAGE DE TEMPÉRATURES	34°F - 50°F
DIMENSIONS (HxLxP)	33-7/8 po X 23-7/8 po X 23-5/8 po
POIDS BRUT (lb)	148lb
TABLETTE EN VERRE STANDARD SUPPLÉMENTAIRE EN OPTION	50150015
TABLETTE EN VERRE RÉTRACTABLE ADDITIONNELLE EN OPTION	50150016
CAPACITÉ DE POIDS - ÉTAGÈRE EN VERRE STANDARD (lb)	79lb
CAPACITÉ DE POIDS - ÉTAGÈRE EN VERRE RÉTRACTABLE (lb)	33lb
FILTRE À CHARBON DE REMPLACEMENT	Z0F-C004

* La capacité de stockage est basée sur 12 oz standard. boîtes et 750 ml. Bouteilles de vin de style bordelais.

Identification des pièces



Entreposage interne



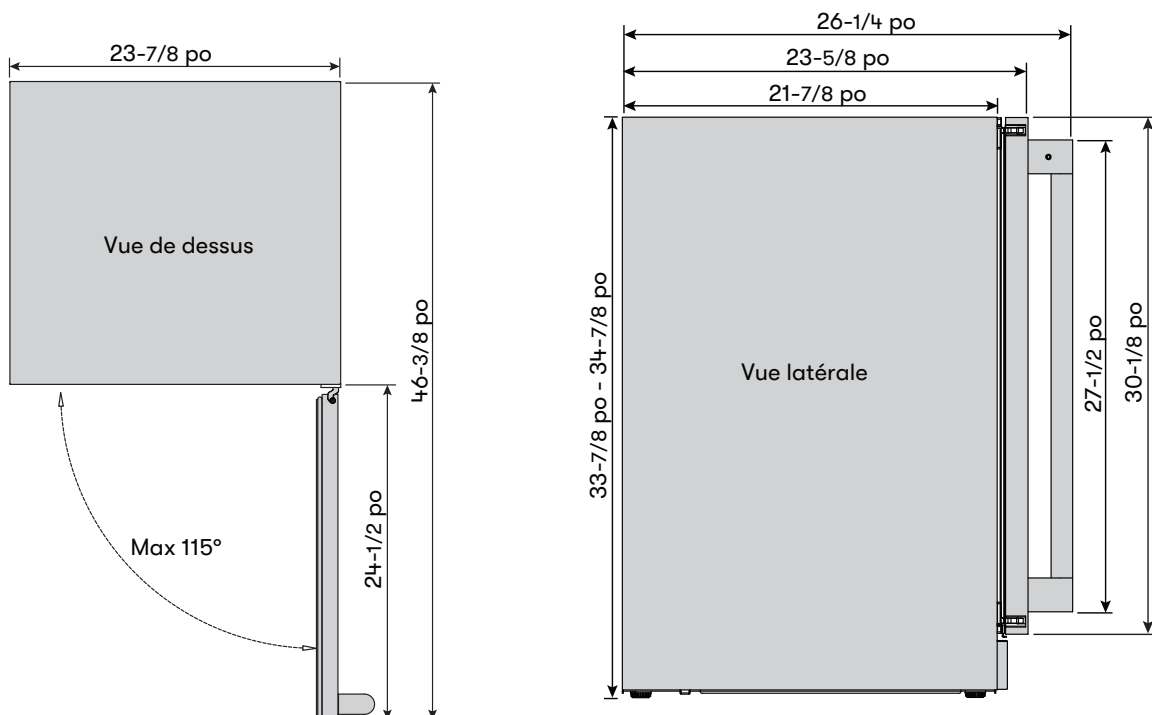
Avec étagère en verre rétractable

Capacité de 7 bouteilles + 88 canettes ou
capacité de 13 bouteilles + 74 canettes

Avec étagère en verre rétractable et distributeur de boissons

Capacité de 7 bouteilles + 83 canettes ou
capacité de 13 bouteilles + 69 canettes

Dimensions

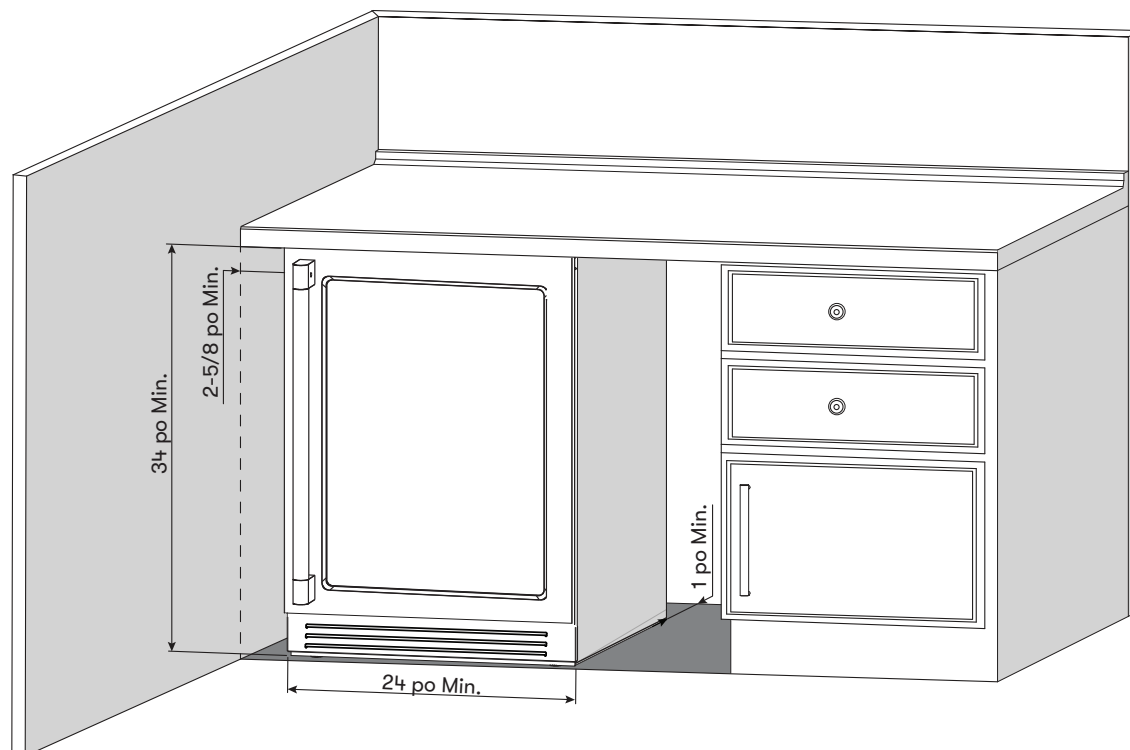


Instructions d'installation

Espace libre requis pour l'installation

Lors de l'installation du refroidisseur de boissons sous un comptoir, veuillez respecter les espaces libres recommandés ci-dessous.

- ▶ Pour un bon dégagement de la prise électrique, laissez au moins 1 po de dégagement à l'arrière comme indiqué sur le schéma.
- ▶ Une installation à côté d'un mur nécessitera un dégagement de porte minimum de 2-5/8 po pour accueillir la poignée Zephyr.
- ▶ L'armoire doit permettre au moins 24 po pour la largeur et 34 po pour la hauteur pour accueillir le refroidisseur de boisson.
- ▶ Le câble d'alimentation est situé à l'arrière à droite de l'unité et a une longueur de 72 po pour s'adapter à plusieurs emplacements de prise.
- ▶ Une fois que vous êtes prêt à installer l'unité, vous devez régler les pieds pour mettre à niveau le refroidisseur de boissons.
- ▶ Ce réfrigérateur peut être entièrement intégré aux armoires et ne nécessite aucun dégagement supplémentaire en plus de ce qui est référencé ci-dessous.
- ▶ L'installation doit permettre de tirer l'unité vers l'avant pour l'entretien, si nécessaire.

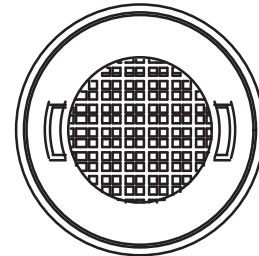


Filtre à charbon

Un filtre à charbon intégré protège vos boissons en agissant comme une barrière naturelle contre les mauvaises odeurs. Vous devriez remplacer le filtre à charbon tous les trois à six mois, selon le niveau d'exposition de votre appareil aux mauvaises odeurs. Si vous installez l'appareil dans une cuisine, il est idéal de remplacer le filtre tous les trois mois.

Pour retirer le filtre à charbon du panneau arrière, faites-le tourner dans le sens antihoraire.

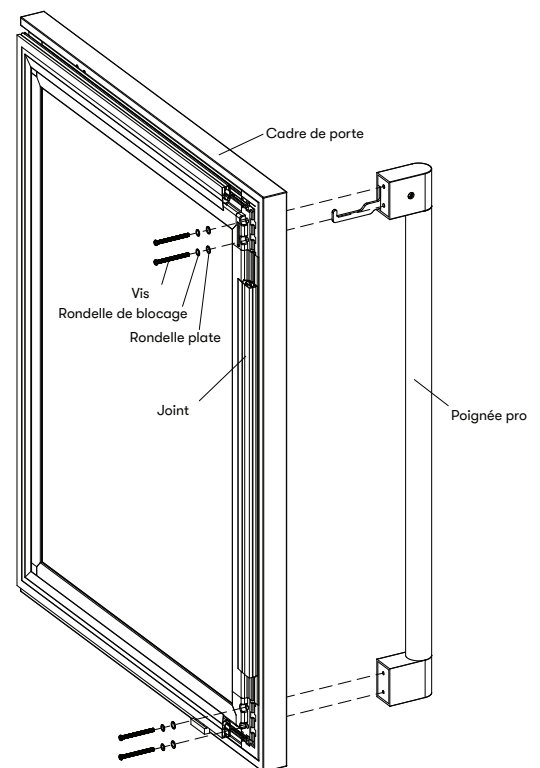
No de pièce du filtre à charbon de remplacement: Z0F-C004



Installation de la poignée

Si une poignée professionnelle ou des poignées contemporaines de différentes couleurs sont souhaitées, reportez-vous ci-dessous pour les dimensions de la poignée et le numéro de pièce.

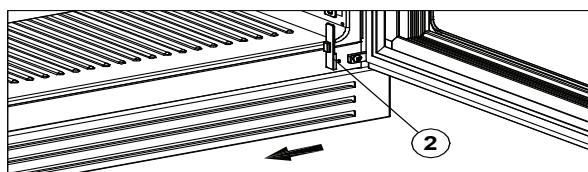
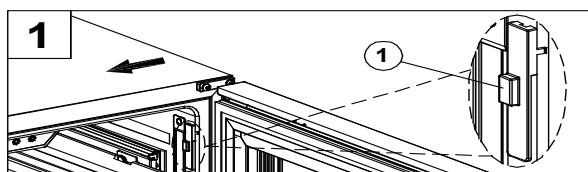
1. Poussez le joint de porte du côté où vous souhaitez installer la poignée. Sous le joint, vous verrez deux trous désignés par extrémité pour l'installation de la poignée et des vis préinstallées.
2. Installez la poignée fermement comme indiqué avec deux vis, des rondelles de blocage et des rondelles plates préinstallées à chaque extrémité.



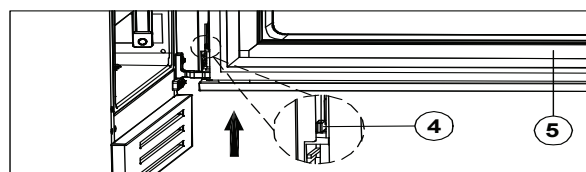
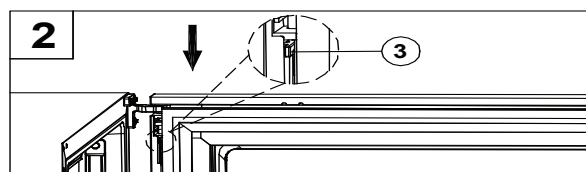
Instructions d'installation

Inverser le sens d'ouverture de la porte de votre appareil

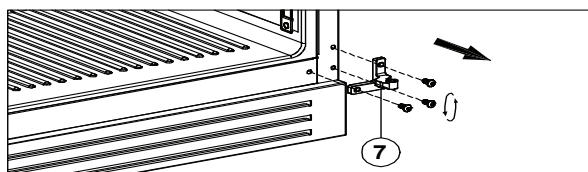
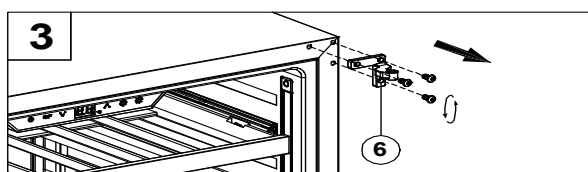
Si vous souhaitez inverser le sens d'ouverture de la porte, veuillez suivre les instructions ci-dessous. Pour inverser en toute sécurité le sens d'ouverture de la porte de votre appareil, il faut au moins deux personnes.



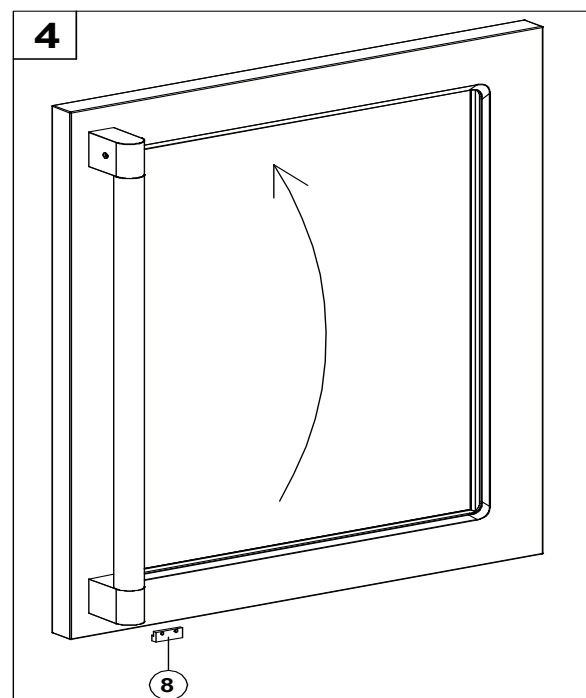
1. Retirer les couvercles des leviers supérieurs et inférieurs (1), (2).



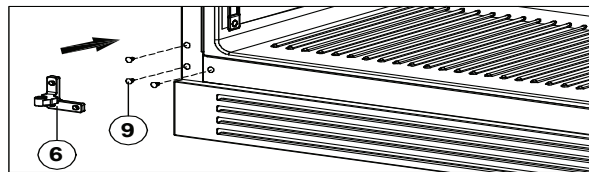
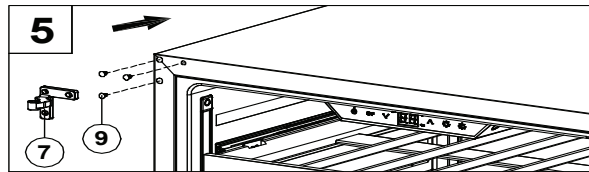
2. Tirez le levier supérieur (3) vers le bas et le levier inférieur (4) vers le haut. Retirez la porte avec précaution.



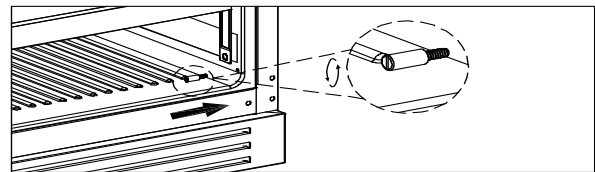
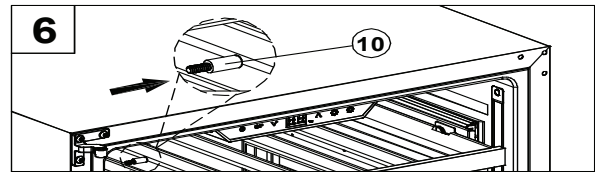
3. Retirez la charnière supérieure (6) et la charnière inférieure (7) à l'aide de 3 vis chacune et d'une clé Allen M3.



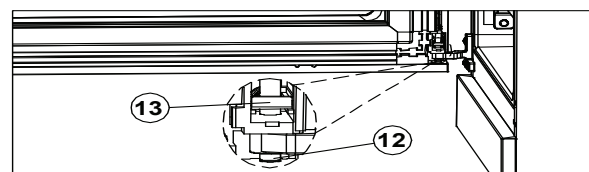
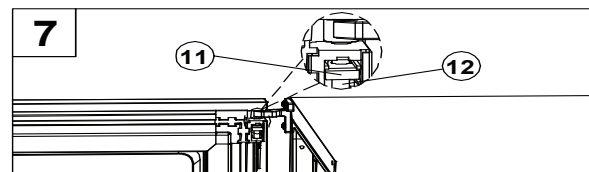
4. Retirez l'aimant de porte (8) à l'aide de 2 vis et réinstallez-le sur l'extrémité opposée de la porte.

Inverser le sens d'ouverture de la porte de votre appareil

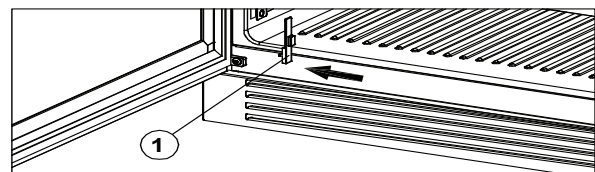
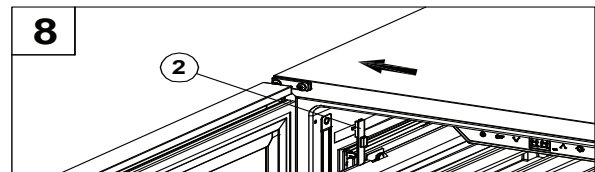
5. Retirez les 3 clous décoratifs noirs (9) des coins supérieur et inférieur gauche de l'unité et réinstallez-les dans les coins supérieur et inférieur droit. Réinstallez les charnières précédemment retirées sur le côté gauche. (6) pour le côté inférieur gauche et (7) pour le côté supérieur gauche.



6. Retirez le loquet de verrouillage (10) du coin supérieur gauche et réinstallez-le dans le coin inférieur droit de l'unité.



7. Placez soigneusement la porte contre la charnière, alignez l'axe de la porte avec les trous de charnière supérieur et inférieur, et appuyez sur une barre de verrouillage (11)/(12), qui enfilera automatiquement le joint de porte à travers la charnière de porte sur le côté supérieur. Répétez l'opération pour (13)/(12) sur le côté inférieur.



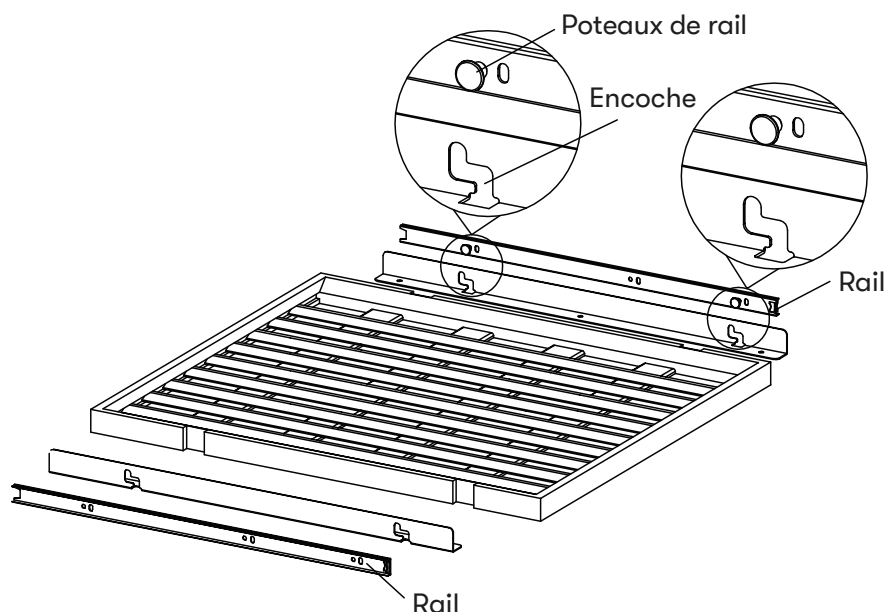
8. Réinstallez les couvercles du couvercle supérieur (1) sur le côté inférieur gauche et du couvercle inférieur (2) sur le côté supérieur gauche de la porte.

Instructions d'installation

- ▶ Pour éviter d'endommager la porte ou le joint de porte, assurez-vous que la porte est ouverte à au moins 90 degrés lorsque vous retirez les étagères du compartiment de rail.
- ▶ La porte s'ouvre à un maximum de 115 degrés avec un arrêt de porte sur la charnière inférieure empêchant la porte de s'ouvrir davantage.

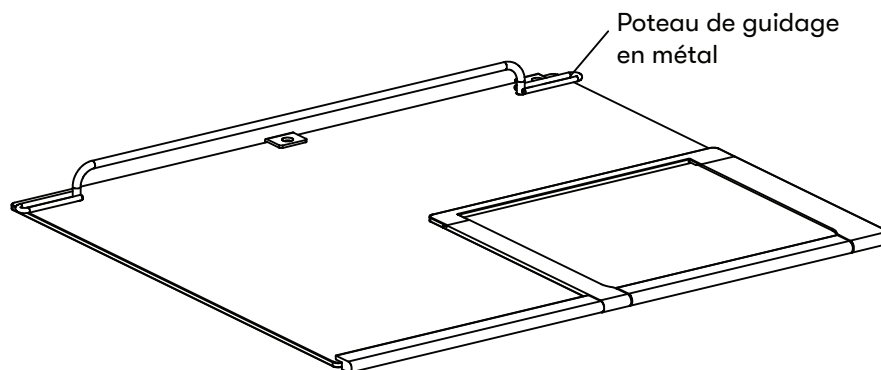
Retrait des tablettes coulissantes en bois

1. Ouvrez complètement la porte.
2. Retirez tout le contenu chargé sur l'étagère coulissante, le cas échéant.
3. Alignez les encoches de l'étagère coulissante avec les montants du rail comme indiqué ci-dessous.
4. Pendant ce processus, il est recommandé de tenir les deux rails pendant que vous déplacez l'étagère coulissante pour aligner les montants du rail avec les encoches des deux extrémités.
5. Soulevez l'étagère de manière uniforme, puis retirez-la.

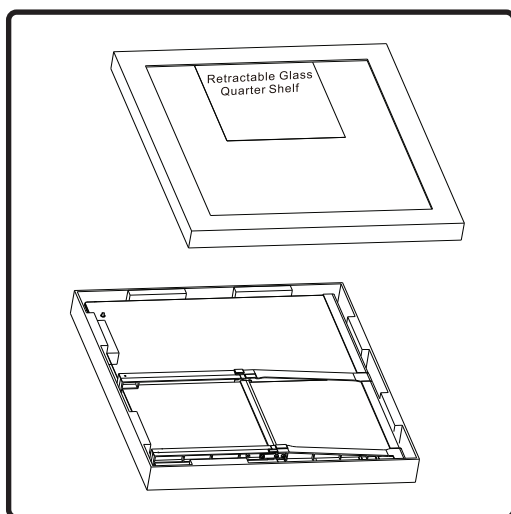


Retrait des étagères en verre

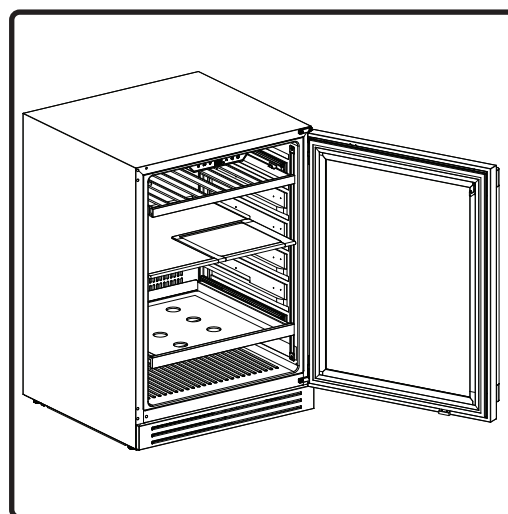
1. Ouvrez complètement la porte.
2. Retirez tout le contenu chargé sur l'étagère coulissante, le cas échéant.
3. Vérifiez que l'étagère en verre est complètement poussée vers l'arrière.
4. Soulevez délicatement le côté gauche ou droit de l'étagère pour créer un angle de 45 degrés par rapport à sa position d'origine. Ne soulevez pas trop fort l'un ou l'autre côté de l'étagère car elle pourrait entrer en contact avec le support mural intérieur.
5. Retirez l'étagère en verre en la tirant vers l'extérieur. Il se peut que le rail de protection métallique oppose une certaine résistance.



Installation d'une tablette rétractable en verre



1. Retirez la tablette rétractable en verre de l'emballage.



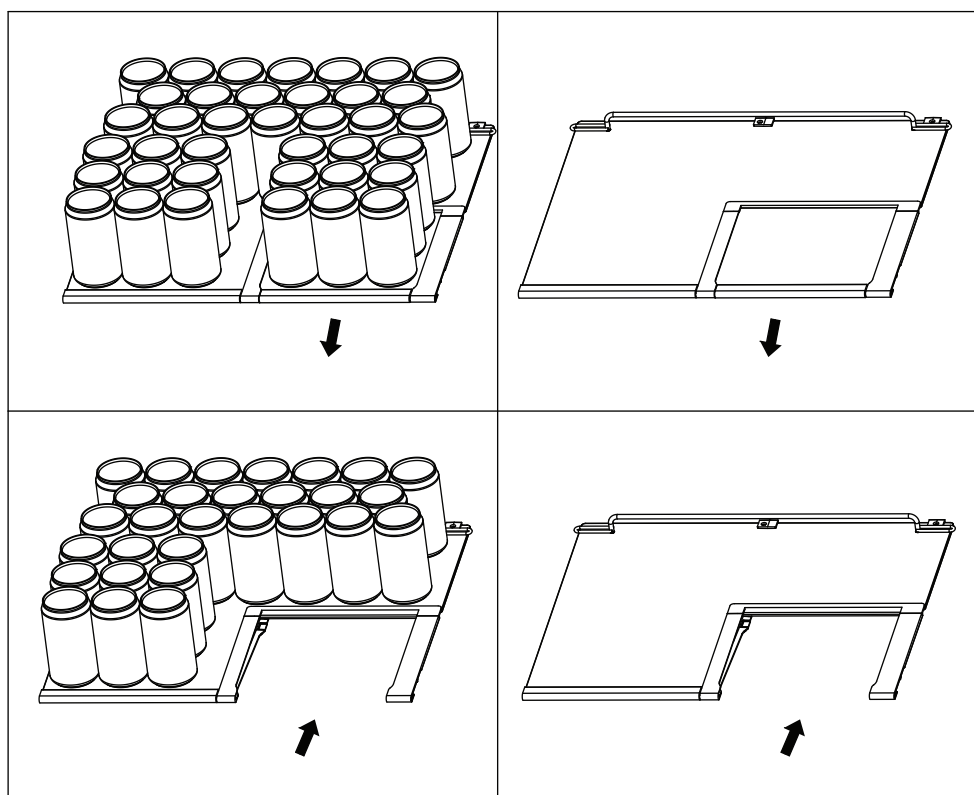
2. Installez soigneusement la tablette rétractable en verre dans la position souhaitée.

Instructions d'installation

Utilisation de l'étagère quart de verre rétractable

L'une des étagères de verre est munie d'un quart d'étagère amovible, ce qui vous permet de placer les bouteilles et des récipients ouverts en position verticale. La capacité d'entreposage peut être réduite lors de l'utilisation du quart d'étagère amovible.

1. Ouvrez complètement la porte.
2. Enlevez toute boisson se trouvant sur le quart d'étagère avant droit. Soulevez le rebord avant droit de l'étagère et poussez-le doucement vers l'intérieur pour le retrait de l'étagère de verre. Vous pouvez maintenant entreposer des bouteilles en position verticale dans le nouvel espace.
3. Pour fermer le quart d'étagère droit, suivez l'étape 2 dans le sens contraire et assurez-vous que l'étagère de verre est stable avant d'y placer les boissons.



ATTENTION

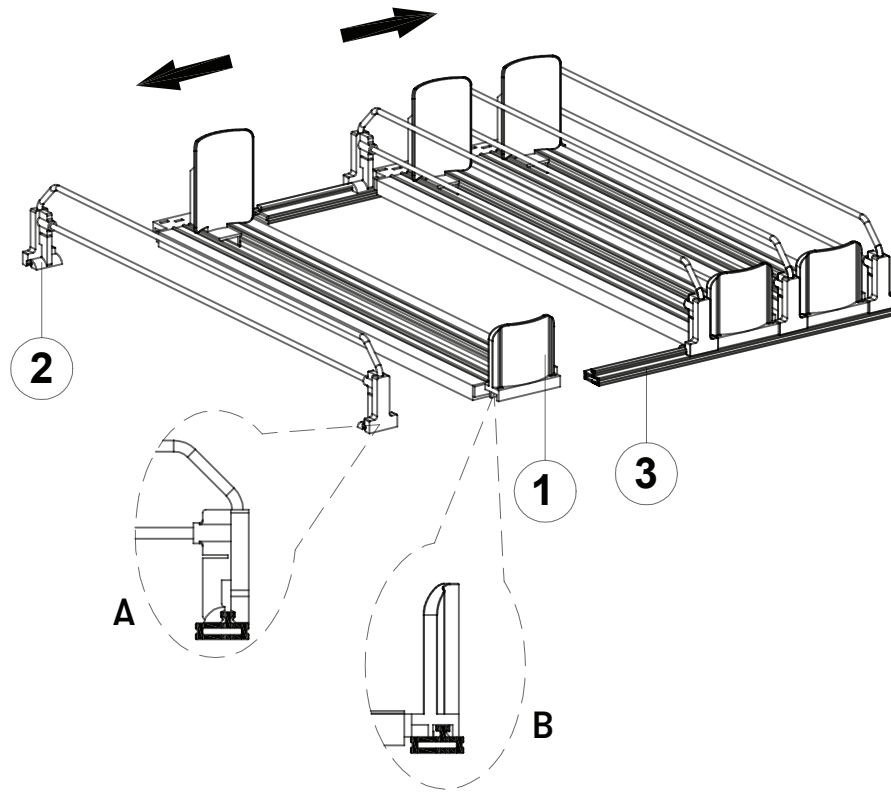
La capacité de poids maximale du quart de tablette en verre rétractable est de 7.7lb. Un dépassement de ce poids peut endommager le quart de tablette.

Ensemble de distributeur de boissons

Le distributeur de boissons est un accessoire facile à assembler et à installer. Cet accessoire permet de conserver les boissons dans une position pratique afin de les saisir plus facilement tout en maximisant l'espace de rangement. Veuillez suivre les instructions ci-dessous si vous souhaitez assembler et installer le distributeur de boissons.

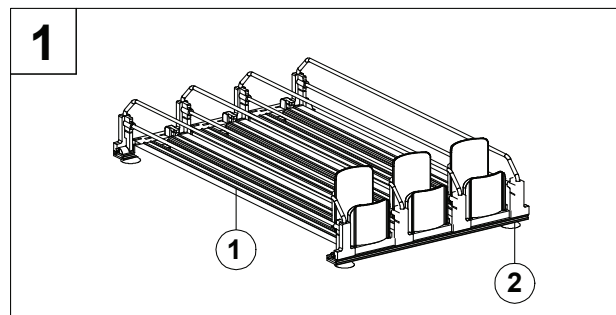
1. Il y a des fentes illustrées dans (A) et (B) qui sont présentes à chaque extrémité des rangées de distributeurs de boissons (1) et des rails de boissons (2).
2. Enfilez les rangées de distributeurs de boissons (1) et les rails de boissons (2) sur la bande de distribution de boissons (3) à travers les fentes (A)/(B).
3. Alternez l'installation de la rangée de distributeurs de boissons et des rails de boissons.
4. Pour retirer chaque composant de la bande de distribution de boissons, séparez soigneusement chaque composant en faisant bouger les pièces.

REMARQUES: Pour accueillir des contenants de boissons de plus grand diamètre, retirez une rangée de distributeurs de boissons.

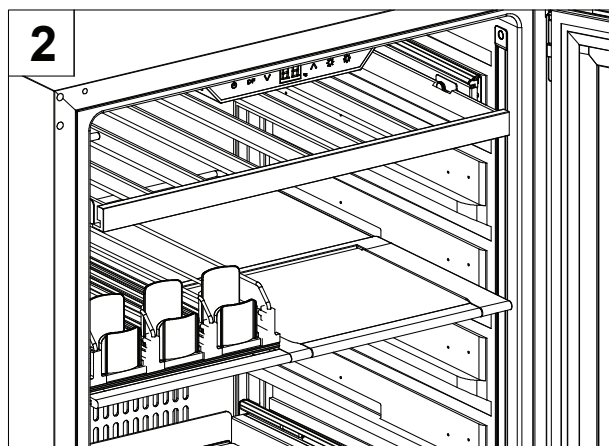


Instructions d'installation

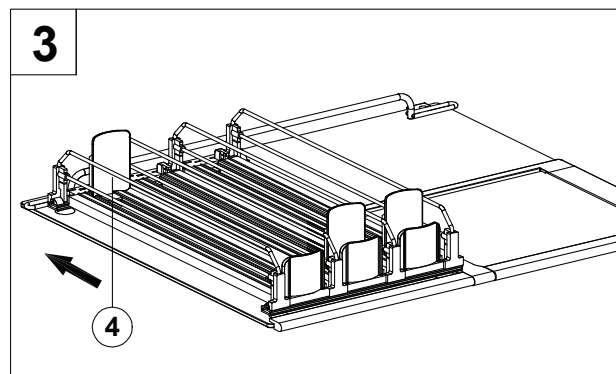
Installation de distributeur de boissons



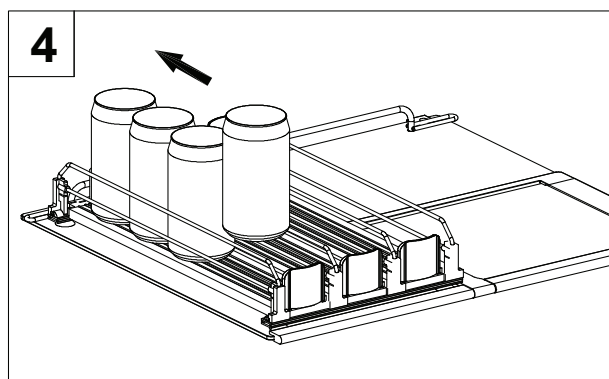
1. 4 ventouses (2) sont présentes au bas du distributeur de boissons (1).



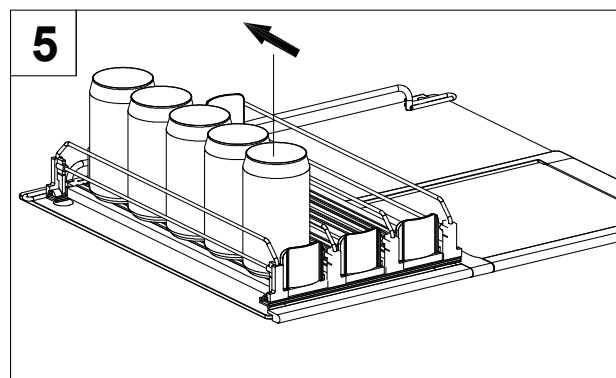
2. Placez le distributeur de boissons (1) sur la tablette en verre rétractable (3) et appuyez doucement contre la tablette en verre pour faire adhérer le distributeur de boissons.



3. Poussez la plaque de poussée (4) vers l'arrière du distributeur de boissons pour le verrouiller.



4. Placez les boissons sur le distributeur de boissons.



5. Poussez soigneusement la boisson avant à l'avant contre toutes les autres boissons pour déverrouiller la plaque de poussée, permettant aux boissons de glisser vers l'avant.

Si l'appareil est débranché, perdu de courant ou éteint, vous devez attendre 3 à 5 minutes avant de redémarrer l'appareil. Si vous tentez de redémarrer avant ce délai, l'appareil risque de ne pas démarrer et de ne pas conserver la dernière température réglée.

Utilisation du tableau commande



Ce refroidisseur de boissons a une plage de température de 34 °F à 50 °F.

Bouton d'alimentation

- Appuyez sur ce bouton et maintenez-le enfoncé pendant trois secondes pour allumer ou éteindre votre appareil. Lorsque l'appareil est allumé, le voyant R « Compresseur en marche » peut s'allumer pour indiquer que le compresseur interne est actif. Après la mise hors tension, tous les voyants des boutons resteront éteints. Une fois qu'un bouton est touché, le bouton d'alimentation s'allume pendant cinq secondes.

°C/°F Sélecteur °C/°F

- Appuyez sur ce bouton pour basculer la température d'affichage entre Fahrenheit et Celsius.

Diminuer la température

- Appuyez sur ce bouton pour diminuer la température par incréments d'un (1) degré. 34°F est la température la plus basse disponible sur cet appareil.

Augmenter la température

- Appuyez sur ce bouton pour augmenter la température par incréments d'un (1) degré. 50°F est la température la plus élevée disponible sur cet appareil.

Luminosité de la lumière

- Appuyez sur ce bouton pour faire défiler les différentes luminosités de la lumière interne. La luminosité augmente de L0 à L1, L2, L3 et L4, et elle diminue de L4 à L0. À L0, les lumières ne s'allument pas, que la porte soit ouverte ou fermée.

Lumière intérieure

- Appuyez sur ce bouton pour faire défiler les différents réglages d'éclairage interne. Il existe trois réglages d'éclairage : Cloud White, Deep Blue et Amber.

REMARQUE: Le refroidisseur de boissons est équipé d'une fonction de mémorisation de température. En cas de coupure de courant soudaine, la température, la couleur et la luminosité précédemment réglées seront enregistrées et le refroidisseur reviendra à ce réglage une fois le courant rétabli.

Fonctionnement de votre appareil

Éclairage intérieur

Ce réfrigérateur est équipé d'éclairages intérieurs latéraux qui peuvent être réglés sur Cloud White, Deep Blue ou Amber. Parce que l'appareil est livré avec une porte en verre, l'intérieur sera vu si la porte est ouverte ou fermée.

Vous pouvez choisir d'afficher chaque couleur de lumière dans deux modes différents : le mode d'affichage et le mode automatique en appuyant sur le bouton Luminosité de la lumière et en le maintenant enfoncé pendant 3 secondes. Le mode d'affichage sera signalé en affichant « LN » sur l'écran, et le mode automatique affichera « LF » sur l'écran.

Mode automatique : LF

Les lumières internes s'allumeront à chaque ouverture de la porte et s'éteindront une fois la porte fermée. Il s'agit du mode d'éclairage par défaut. Cette fonction est déclenchée par un capteur situé sur la grille d'aération avant qui reconnaît lorsque la porte est ouverte ou fermée.

Mode d'affichage : LN

Les lumières intérieures resteront allumées, que la porte soit ouverte ou fermée. La luminosité sera basée sur votre réglage de luminosité lorsque la porte est fermée, mais passera au réglage de luminosité le plus élevé lors de l'ouverture de la porte. Il s'agit d'un mode d'éclairage activé par l'utilisateur et il consommera plus d'énergie.

Luminosité de l'affichage

La luminosité des commandes peut être réglée en maintenant le bouton °C/°F enfoncé et en appuyant sur le bouton Luminosité de l'éclairage. La luminosité augmente lorsque vous passez de b1 à b2, b3 et b4, et elle diminue de b4 directement à b1.

Appuyez sur le bouton Éclairage intérieur et maintenez-le enfoncé pendant 3 secondes pour basculer entre le mode « CF » et le mode « CN ». L'écran affichera « CF », ce qui signifie que les commandes resteront allumées lorsque la porte est ouverte, mais il s'éteindra au bout de 15 secondes lorsque la porte se fermera. L'écran affichera « CN », ce qui signifie que les commandes resteront allumées, que la porte soit ouverte ou fermée.

Alarme de porte ouverte

Si la porte reste ouverte pendant plus de trois minutes, une alarme sonne et le code 00 clignote à l'écran d'affichage.

Mode Shabbath

Le mode Shabbath désactive les fonctions programmées par l'utilisateur ainsi que toutes les fonctions extérieures, y compris l'éclairage, l'affichage et les alarmes sonores. L'appareil continue de maintenir la température intérieure et les valeurs des réglages.

Pour activer ou désactiver le mode Sabbat, maintenez enfoncé le bouton °C/°F pendant 5 secondes. L'éclairage intérieur et l'affichage des commandes s'éteignent, à l'exception du bouton °C/°F, jusqu'à ce que l'utilisateur désactive le mode Sabbat.

REMARQUE: Même si le tableau d'affichage n'est pas visible, les réglages de température demeurent actifs et la température intérieure est conservée. Le mode Shabbath demeure actif jusqu'à sa désactivation.

Mode vitrine

Avec ce mode, le compresseur et les ventilateurs ne s'allument jamais, mais toutes les autres fonctions demeurent actives. Lors de l'utilisation du mode vitrine, un témoin lumineux R clignote lentement sur l'écran d'affichage.

Pour activer ou désactiver le mode vitrine, appuyez sur le bouton d'alimentation en appuyant simultanément deux fois sur le bouton de diminution de la température.

Alarme de température

Si la température intérieure est supérieure à 23 °C (73 °F), « HI » s'affiche sur le panneau de commande de la température et l'alarme de température retentit en continu après une heure. Cela indique que la température intérieure est trop élevée. Si la température intérieure est inférieure à -4 °C (25 °F), « LO » s'affiche sur le panneau d'affichage de la température et l'alarme de température retentit en continu après 15 minutes. Si l'une de ces situations se produit, veuillez vous référer à la section de dépannage pour obtenir de l'aide.

Fonctionnement de votre appareil

Dégivrage

Le refroidisseur de boissons est conçu avec un système de dégivrage automatique. Toutefois, dans des environnements plus froids, il est possible que du givre s'accumule. Aussi, plus les conditions ambiantes sont humides, plus il est possible que du givre s'accumule. Dans la mesure du possible, gardez la porte fermée et évitez de l'ouvrir inutilement pour minimiser l'accumulation de givre.

Si le givre empêche la porte de se refermer adéquatement, il est possible que vous ayez à éteindre l'appareil jusqu'à la fonte totale du givre. Utilisez un chiffon absorbant pour sécher l'appareil.



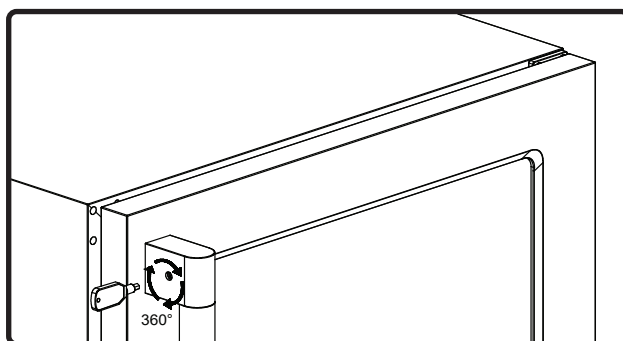
AVERTISSEMENT



N'essayez jamais de retirer le givre avec un objet pointu. N'utilisez pas d'appareils mécaniques ou d'autres moyens pour accélérer le processus de dégivrage, autres que ceux recommandés par le fabricant.

Verrou de sécurité pour enfants

Le refroidisseur de boissons est doté d'un verrou de sécurité pour enfants conçu pour garder les boissons à l'intérieur du refroidisseur hors de portée des enfants. Au-dessus de la poignée de porte pro sur le côté, un trou de serrure sera visible. Pour verrouiller le refroidisseur de boissons, insérez la clé fournie dans le trou de serrure et tournez-la dans le sens des aiguilles d'une montre. Tournez-la dans le sens inverse des aiguilles d'une montre pour déverrouiller le refroidisseur de boissons.



Bruits normaux

Votre refroidisseur de boissons peut émettre des bruits auxquels vous n'êtes pas habitués. La plupart des bruits sont normaux. Les surfaces dures comme les planchers ou les murs peuvent donner l'impression que les bruits sont plus forts qu'ils le sont en réalité. Veuillez trouver ci-dessous une liste de bruits auxquels vous n'êtes peut-être pas habitués ainsi que leur source.

- ▶ La circulation de liquide réfrigérant ou d'eau peut produire des cliquetis.
- ▶ Les éléments entreposés sur le refroidisseur de boissons peuvent également faire du bruit.
- ▶ Le compresseur à haut rendement peut émettre des vibrations ou un son aigu.
- ▶ L'écoulement de l'eau entre l'évaporateur et le réservoir peut produire des bruits d'éclaboussure.
- ▶ À la fin de chaque cycle, le mouvement du liquide réfrigérant dans votre refroidisseur de boissons peut émettre des gargouillis.
- ▶ Il est possible que vous entendiez le ventilateur pousser l'air dans le condensateur.

Nettoyage et entretien

Le nettoyage périodique et l'entretien adéquat de l'appareil assurent son efficacité, son rendement optimal et sa longévité.

Nettoyage de l'intérieur

1. Débranchez l'appareil.
2. Ouvrez la porte, puis enlever les boissons et les tablettes.
3. Avec un chiffon propre, essuyez l'intérieur de l'appareil.
4. Réinsérez les tablettes et les boissons.
5. Rebranchez l'appareil.

Nettoyage extérieur

La porte et l'armoire peuvent être nettoyées avec un détergent doux et une solution d'eau tiède comme deux (2) cuillères à soupe de bicarbonate de soude pour un (1) litre d'eau. N'utilisez pas de nettoyeurs à base de solvants ou abrasifs. Utilisez une éponge douce et rincez à l'eau claire. Essuyez avec une serviette propre et douce pour éviter les taches d'eau. Si le panneau de porte est en acier inoxydable, il peut se décolorer lorsqu'il est exposé au chlore et à l'humidité. Nettoyez l'acier inoxydable avec un chiffon imbibé d'un détergent doux et d'une solution d'eau tiède.

Entretien

Panne d'électricité

Most power failures are corrected within a few hours and should not affect the temperature of your appliance if you minimize the number of times the door is opened. If the power is going to be off for a longer period of time, you need to take the proper steps to protect your contents.

Déplacement du refroidisseur de boissons

- ▶ Enlevez tous le contenu de l'appareil.
- ▶ Fixez tous les éléments libres (étagères) se trouvant à l'intérieur de l'appareil avec du ruban.
- ▶ Pour éviter tout dommage, repliez la patte ajustable vers le haut en la faisant tourner dans le sens horaire.
- ▶ Tenez la porte fermée avec du ruban.
- ▶ Assurez-vous que l'appareil demeure en position verticale pendant le transport. Protégez également l'extérieur de l'appareil avec une couverture ou une autre protection.

Conseils d'économie d'énergie

- ▶ Vous devriez installer l'appareil à l'endroit le plus frais de la pièce, loin d'appareils produisant de la chaleur et à l'abri de la lumière directe du soleil.
- ▶ Assurez-vous que l'appareil est convenablement aéré. Ne couvrez jamais les événements.
- ▶ Ouvrez la porte le moins longtemps possible.

Problème possible	Cause possible	Solutions
L'appareil ne fonctionne pas.	Pas branché.	Assurez-vous que l'appareil est branché et que la prise de courant est sous tension.
	L'appareil est éteint.	Allumez l'appareil.
	Le disjoncteur s'est déclenché ou a un fusible grillé.	Remplacez le fusible cassé ou réinitialisez le disjoncteur.
	Le mode sabbat peut être activé.	Consultez la section Fonctionnement de votre appareil et vérifiez si le mode Sabbat est désactivé.
L'appareil n'est pas assez froid.	Le réglage du contrôle de la température est trop élevé.	Réglez la température réglée.
	L'environnement externe peut nécessiter un paramètre plus élevé.	Gardez l'appareil à l'abri du soleil ou d'autres sources de chaleur.
	La porte est ouverte trop fréquemment ou pendant de longues périodes.	Fermez bien la porte et n'ouvrez pas la porte trop fréquemment ou pendant une longue période.
	Le joint de porte n'est pas scellé correctement.	Assurez-vous que le joint de porte n'est pas desserré.
	Le mode démonstration peut être activé.	Consultez la section Fonctionnement de votre appareil et vérifiez si le mode de démonstration est désactivé.
	Le refroidisseur n'a pas une ventilation suffisante.	Lisez et suivez les «Exigences de dégagement d'installation» dans la section Instructions d'installation.
	Le refroidisseur a limité le débit d'air en raison d'un stockage trop important.	Espace ouvert dans l'armoire pour permettre la circulation de l'air.
L'appareil s'allume et s'éteint fréquemment.	La température ambiante est plus chaude que la normale.	Faites fonctionner le réfrigérateur à la température ambiante appropriée.
	Le joint de porte n'est pas scellé correctement.	Assurez-vous que le joint de porte n'est pas desserré.
	La porte est ouverte trop fréquemment ou pendant de longues périodes.	Fermez bien la porte et n'ouvrez pas la porte trop fréquemment ou pendant une longue période.
	La porte n'est pas complètement fermée	Assurez-vous que la porte est complètement fermée.
L'appareil s'allume et s'éteint fréquemment.	Le refroidisseur n'a pas une ventilation suffisante.	Lisez et suivez les «Exigences de dégagement d'installation» dans la section Instructions d'installation.

Dépannage

Problème possible	Cause possible	Solutions
Le corps de l'appareil est électrifié.	L'unité n'est pas correctement mise à la terre.	Contactez votre électricien local pour tester votre système de mise à la terre électrique.
Du givre se forme dans l'appareil.	L'environnement est humide.	Bien que l'appareil utilise un système de dégivrage automatique, il peut être nécessaire de procéder au dégivrage manuel dans certaines conditions. Si le givre s'accumule, vous pouvez essayer de régler votre réfrigérateur à une température plus chaude, minimiser le nombre de fois où vous ouvrez la porte, ou débrancher l'appareil pour faire fondre le givre.
	La température ambiante est trop basse.	
	La porte est ouverte trop souvent.	
L'appareil fait trop de bruit.	La circulation de liquide réfrigérant peut produire des cliquetis, ce qui est normal. À la fin de chaque cycle, le mouvement du liquide réfrigérant dans votre refroidisseur de boissons peut émettre des gargouillis.	À la fin de chaque cycle, il est normal que le mouvement du liquide réfrigérant dans votre refroidisseur de boissons produise des gargouillis. Le compresseur à haut rendement peut émettre des vibrations ou un son aigu.
	La contraction et l'expansion des parois intérieures peuvent créer des bruits de craquement et d'éclatement.	Certains de ces bruits sont normaux. Ils sont causés par l'expansion et la contraction des parois intérieures en raison des changements de température.
	L'appareil n'est pas nivelé ou est en contact avec un autre électroménager.	Assurez-vous que le refroidisseur est de niveau et qu'il n'est pas en contact avec un autre électroménager ou avec un meuble.
La porte ne se ferme pas bien.	L'appareil n'est pas de niveau.	Assurez-vous que l'appareil se trouve sur une surface nivelée.
	Le joint d'étanchéité est sale.	Nettoyez le joint d'étanchéité de la porte.
La porte ne se ferme pas bien.	Le joint d'étanchéité de la porte n'est pas bien installé.	Assurez-vous que le joint d'étanchéité de la porte est bien installé.
	Les étagères ne sont pas à la bonne position.	Installez les tablettes adéquatement.

Zephyr Ventilation, LLC (appelé aux présentes « nous ») garantit au premier acheteur (appelé aux présentes « vous ») des produits Zephyr (les « produits ») que ces produits sont exempts de défauts de matériau et de fabrication, comme suit :

Garantie limitée de cinq ans sur le compresseur : Pour une période de cinq ans à partir de la date d'achat originale des produits, nous fournirons sans frais les pièces de remplacement du compresseur qui ont cessé de fonctionner en raison d'un défaut de fabrication, sous réserve des exclusions et limites énumérées ci-dessous.

Garantie limitée de deux ans sur les pièces : Pour une période de deux ans à partir de la date d'achat originale des produits, nous fournirons sans frais les produits ou les pièces de remplacement (hormis les ampoules DEL, s'il y a lieu) qui ont cessé de fonctionner en raison d'un défaut de fabrication, sous réserve des exclusions et limites énumérées ci-dessous. Nous pouvons choisir, à notre discrétion exclusive, de réparer ou de remplacer les pièces avant de décider de remplacer les produits.

Garantie limitée de deux sur la main-d'œuvre : Pour une période de deux ans à partir de la date d'achat originale des produits, nous fournirons sans frais la main-d'œuvre requise pour procéder à la réparation des produits ou des pièces qui ont cessé de fonctionner en raison d'un défaut de fabrication, sous réserve des exclusions et limites énumérées ci-dessous. Un an après la date d'achat original, vous êtes responsable de tous les frais de main-d'œuvre associés à la présente garantie.

Pour obtenir du service en vertu de la garantie limitée : Pour être admissible au service de garantie, vous devez (a) nous aviser à l'adresse (www.zephyronline.com/contact) dans les soixante jours qui suivent la découverte du défaut; (b) nous fournir le numéro de modèle et le numéro de série; (c) décrire la nature de tout défaut du produit ou de la pièce. Au moment de présenter la demande de service de garantie, vous devez fournir une preuve d'achat ainsi qu'une preuve de la date d'achat originale. Si nous déterminons que l'une ou l'autre des exclusions de garantie énumérées ci-dessus s'applique à votre cas ou si vous ne nous fournissez pas les documents nécessaires pour obtenir du service, vous serez responsable de tous les frais associés à l'expédition, au déplacement et à la main-d'œuvre, ainsi que tous les autres frais liés aux services obtenus. La présente garantie ne se prolonge pas et ne recommence pas lors d'une réparation ou d'un remplacement couvert par la garantie.

Exclusions de la garantie : Cette garantie ne couvre que la réparation ou le remplacement, à notre discrétion, des pièces ou produits défectueux. Elle ne couvre aucun autre coût lié aux produits, y compris, sans s'y limiter, ce qui suit : (a) services d'entretien et de réparation normaux requis pour les produits et les pièces non durables, comme des filtres, des ampoules et des fusibles; (b) dommage à un produit ou à une pièce qui a été endommagé lors de l'expédition ou en raison d'un mauvais usage, de négligence, d'un accident, d'une installation fautive ou contraire aux instructions, de travaux d'entretien inadéquats ou d'une réparation inadéquate (autre que par nous); (c) utilisation commerciale ou gouvernementale des produits, utilisation allant à l'encontre de l'usage prévu; (d) usure naturelle du fini ou usure causée par un entretien inadéquat, utilisation de produits nettoyants abrasifs ou corrosifs, de tampons nettoyeurs et de produits à nettoyer les fours; (e) éclats, bosselures ou craquelures causés par une mauvaise utilisation des produits; déplacements à votre domicile pour vous montrer comment utiliser les produits; dommages aux produits causés par un accident, un incendie, une inondation, une catastrophe naturelle; (h) installation personnalisée ou modification ayant une incidence sur l'état de fonctionnement des produits; (i) dommages à des biens personnels ou altération d'aliments en raison de l'utilisation des produits. Si vous vous trouvez à l'extérieur de la région que nous desservons, des coûts supplémentaires pourraient s'appliquer à l'expédition de pièces pour une réparation sous garantie à l'un de nos points de service désignés et au déplacement d'un technicien de service à votre domicile pour réparer, désinstaller ou réinstaller les produits. Un an après la date d'achat original, vous êtes également responsable de tous les frais de main-d'œuvre associés à la présente garantie. Tous les produits doivent être installés par un installateur professionnel qualifié pour pouvoir recevoir des services d'entretien ou de réparation sous garantie.

Limites de la garantie : NOTRE OBLIGATION DE RÉPARER OU DE REMPLACER LES PRODUITS, À NOTRE DISCRÉTION, CONSTITUE VOTRE RECOURS UNIQUE ET EXCLUSIF EN VERTU DE LA PRÉSENTE GARANTIE. NOUS NE POURRONS EN AUCUN CAS ÊTRE TENUS RESPONSABLES DE TOUT DOMMAGE INDIRECT, CONSÉCUTIF OU PARTICULIER ATTRIBUABLE OU LIÉ À L'UTILISATION OU AU RENDEMENT DES PRODUITS. LES GARANTIES EXPRESSES DE LA SECTION ANTÉRIEURE SONT EXCLUSIVES ET REMPLACENT TOUTES LES AUTRES GARANTIES EXPRESSES. NOUS REJETONS ET EXCLUONS AUX PRÉSENTES TOUTES LES AUTRES GARANTIES EXPRESSES COUVRANT LES PRODUITS AINSI QUETOUTES LES GARANTIES IMPLICITES EN VERTU DE LA LOI, Y COMPRIS CELLES RELATIVES À LA QUALITÉ MARCHANDE ET À L'ADÉQUATION À UN USAGE PARTICULIER. Dans les états ou provinces ne permettant pas une limite de la durée d'une garantie implicite, ou une exclusion ou limite des dommages indirects ou consécutifs, les limites et exclusions mentionnées ci-dessus ne s'appliquent pas. Dans la mesure où les lois en vigueur interdisent l'exclusion de garanties implicites, la durée de toute garantie implicite pertinente se limite aux mêmes périodes d'un an et de deux ans décrites ci-dessus, si les lois en vigueur le permettent. Toute description orale ou écrite des produits ne sert qu'à identifier les produits et ne peut être considérée comme une garantie expresse. Avant d'utiliser, de mettre en marche ou de permettre l'utilisation des produits, vous devez déterminer la pertinence des produits pour leur usage prévu, et vous devez assumer tous les risques et toutes les responsabilités liés d'une manière ou d'une autre à cette décision. Nous nous réservons le droit d'utiliser des pièces ou produits réparés ou remis en état dont le fonctionnement est équivalent aux pièces originales lorsque nous effectuons un remplacement ou une réparation sous la garantie. Le premier acheteur ne peut transférer cette garantie, qui n'est valide que dans le domicile du consommateur où le produit a été installé à l'origine, aux États-Unis ou au Canada. Cette garantie ne peut être transférée à un revendeur.

Veillez consulter notre site Web pour obtenir de plus amples renseignements sur nos produits à www.zephyronline.com.

Enregistrement du produit

N'oubliez pas d'enregistrer votre réfrigérateur Zephyr Presrv™

Félicitations pour votre achat de Presrv ! Veuillez prendre quelques instants pour enregistrer votre nouveau réfrigérateur.

C'EST IMPORTANT

L'enregistrement de votre produit aide à bien des égards

- Il assure la couverture de votre garantie si vous avez besoin de service après-vente.
- À des fins d'assurance, il permet de confirmer que vous êtes le propriétaire.
- Il vous permet de recevoir des avis concernant des modifications ou des rappels de produits.

Que diriez-vous d'un avis?

Pendant que vous y êtes, laissez un commentaire et dites-nous à quel point vous aimez votre nouveau réfrigérateur.

ZEPHYR

zephyronline.com | 2277 Harbor Bay Pkwy. | Alameda, CA 94520



Enregistrer
zephyronline.com/registration



Passer en revue
qrs.ly/c7ea9sj

Recherchez votre numéro de modèle Presrv dans la barre de navigation supérieure