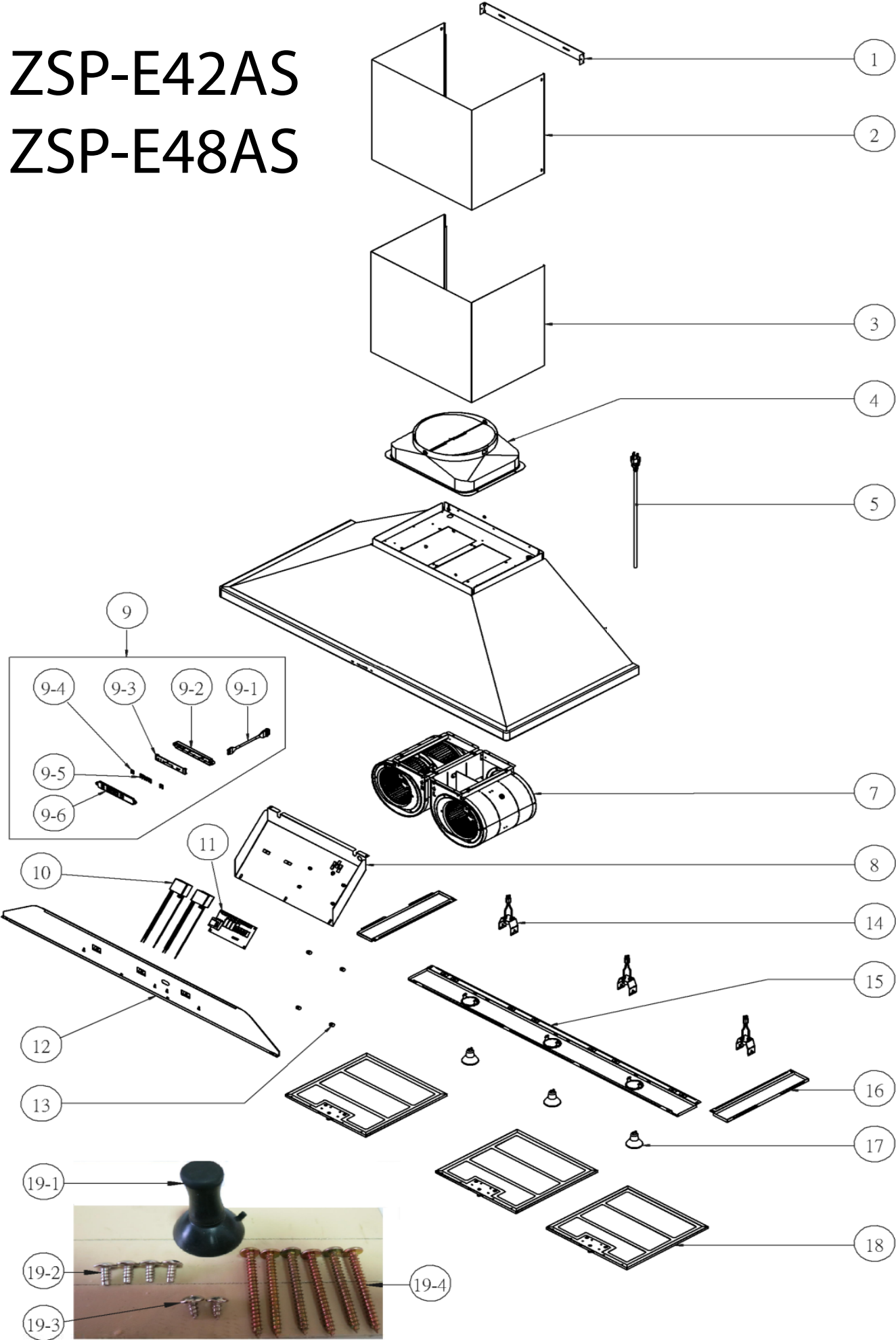


ZSP-E42AS

ZSP-E48AS



ZEPHYR

Siena Pro

ZSP-E42AS, ZSP-E48AS

Ref #	Part #	Description	Qty.
1	54110088	Bracket, Duct Cover	1
2	50050143	Duct Cover, Upper	1
3	50050144	Duct Cover, Lower	1
4	54050077	Collar, 10" Round	1
5	11030081	Wires, Electrical	1
6	11030096	Cable, Switch, Long	1
7	12120075	Motor	2
8	50140113	Panel, Internal	1
9	11000083	Switch Assembly	1
9-1	11030080	Cable, Switch, Short	1
9-2	56200082	Housing, Switch	1
9-3	11010062	Switch Board	1
9-4	56240020	Spacer, Switch, Small	2
9-5	56240021	Spacer, Switch, Large	2
9-6	52170060	Cover, Switch	1
10	12050028	Capacitor	2
11	11010060	Control Board	1
12	50140130	Panel, Front (42")	1
12	50140114	Panel, Front (48")	1
13	56240022	Spacer	4
14	50500142	Light Socket Assembly	3
15	50110175	Panel, Light (42")	1
15	50110127	Panel, Light (48")	1
16	50120102	Panel, Side (42")	2
16	50120068	Panel, Side (48")	2
17	Z0B0020	Bulb, Halogen, GU-10, 50W	3
17	Z0B0040	Bulb, LED, GU-10, 6W	3
18	50200050	Filter, Baffle	3
19	05000094	Hardware Packet	1
19-1	15000004	Suction Cup	1
19-2	01070010	Screw, M4 x 8mm	4
19-3	01070006	Screw, M4 x 8mm	2

19-4	01070025	Screw, M4 x 1 1/2"	6
------	----------	--------------------	---

AUG23.0401