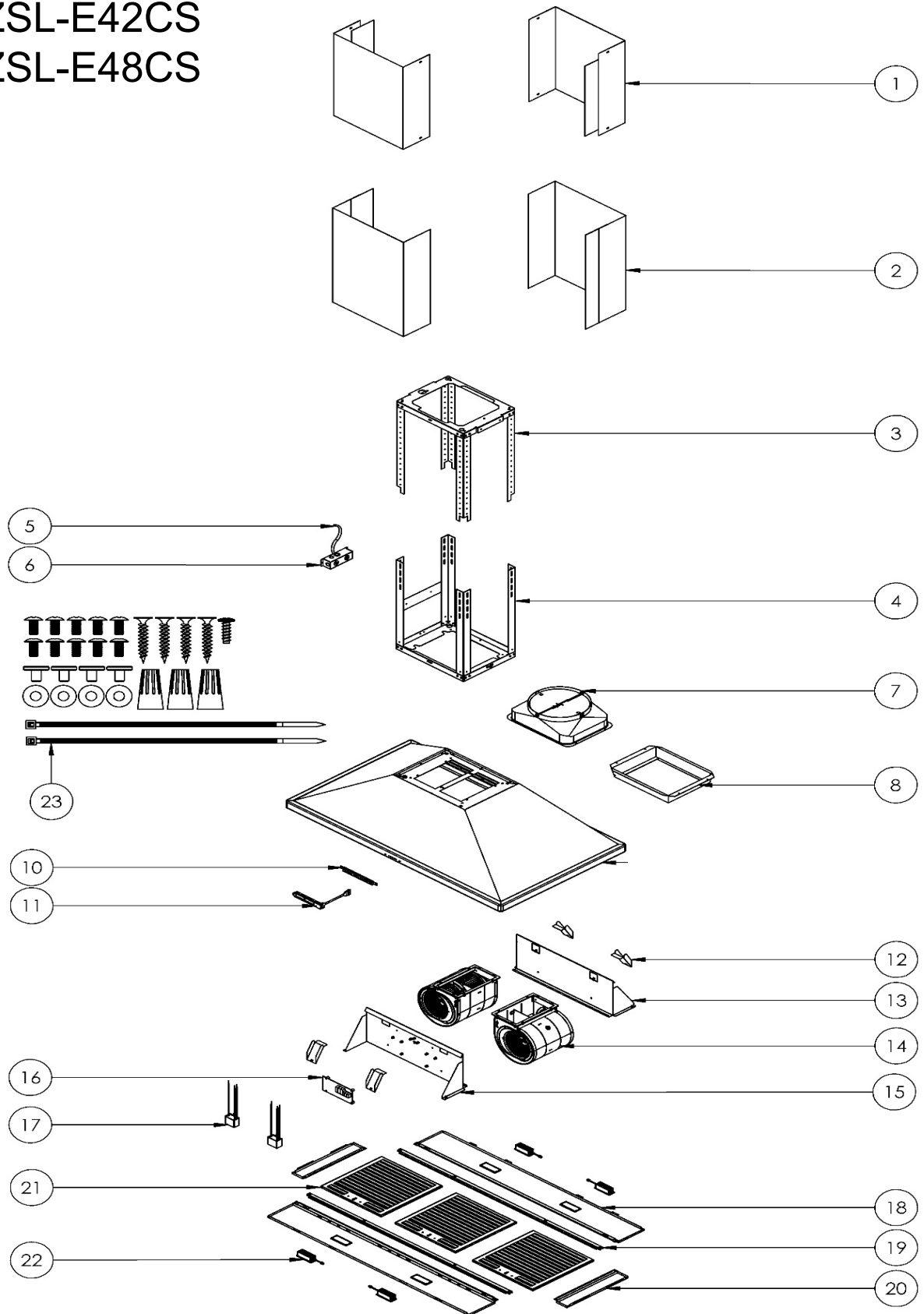


# ZSL-E42CS ZSL-E48CS



# Siena Pro Island

**ZSL-E42CS, ZSL-E48CS**

<b>Ref #</b>	<b>Part #</b>	<b>Description</b>	<b>Qty.</b>
1	50050160	Upper Duct Cover	2
2	50050161	Lower Duct Cover	2
3	54110100	Upper Support Frame	1
4	54110101	Lower Support Frame	1
5	11030103	Electrical Cord	1
6	56200080	Electrical Box	1
7	54050081	10 Inch Round Duct Collar w/Damper	1
8	54050082	Duct Adaptor	1
10	11000171	Switch Assembly	1
11	54140319	Switch Bracket	1
12	52110021	Electrical Cover	4
13	52110022	Rear Internal Panel	1
14	12120075	Blower	2
15	52110027	Front Internal Panel	1
16	11010155	Control Board	1
17	12050028	Capacitor	2
18	50110397	Light Panel (ZSL-E42CS)	2
18	50110398	Light Panel (ZSL-E48CS)	2
19	54140186	Support Bar (ZSL-E42CS)	2
19	54140187	Support Bar (ZSL-E48CS)	2
20	50120111	Side Panel (ZSL-E42CS)	2
20	50120214	Side Panel (ZSL-E48CS)	2
21	50210041	Hybrid Baffle Filter (42" x 2)	3
22	Z0B0047	LumiLight LED, 6W	4
23	05000121	Hardware Packet	1