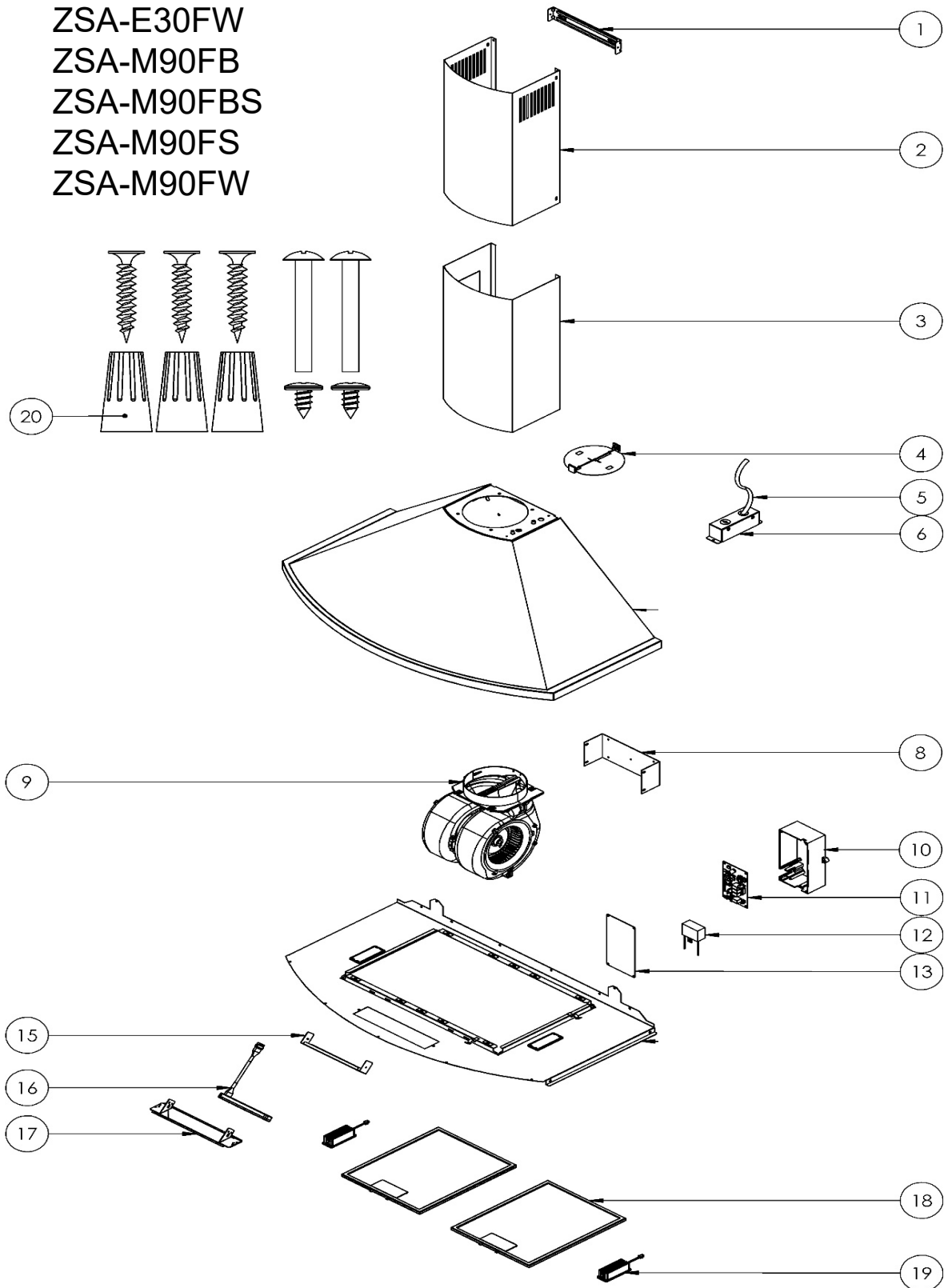


ZSA-E30FB  
ZSA-E30FBS  
ZSA-E30FS  
ZSA-E30FW  
ZSA-M90FB  
ZSA-M90FBS  
ZSA-M90FS  
ZSA-M90FW



**ZSA-E30FB, ZSA-E30FBS, ZSA-E30FS, ZSA-E30FW  
ZSA-M90FB, ZSA-M90FBS, ZSA-M90FS, ZSA-M90FW**

<b>Ref #</b>	<b>Part #</b>	<b>Description</b>	<b>Qty.</b>
1	54110051	Duct Cover Wall Bracket	1
2	50050060	Upper Duct Cover, Black	1
2	50050175	Upper Duct Cover, Black Stainless	1
2	50050059	Upper Duct Cover, Stainless	1
2	50050151	Upper Duct Cover, White	1
3	50050062	Lower Duct Cover, Black	1
3	50050176	Lower Duct Cover, Black Stainless	1
3	50050061	Lower Duct Cover, Stainless	1
3	50050152	Lower Duct Cover, White	1
4	54060007	6 Inch Round Damper	1
5	11030167	Electrical Cord	1
6	56200081	Electrical Box	1
8	54140065	Motor Bracket	1
9	12120089	Motor	1
10	54200020	Component Box	1
11	11010150	Control Board	1
12	12050021	Capacitor	1
13	56210067	Component Box Cover	1
15	50100027	Switch Bracket	1
16	11000168	Switch Assembly	1
17	56200116	Switch Housing, Black	1
17	56200090	Switch Housing, Black Stainless	1
17	56200117	Switch Housing, Stainless	1
17	56200118	Switch Housing, White	1
18	50200011	Aluminum Mesh Filter	2
19	Z0B0048	LumiLight LED, 6W	2
20	05000118	Hardware Packet	1