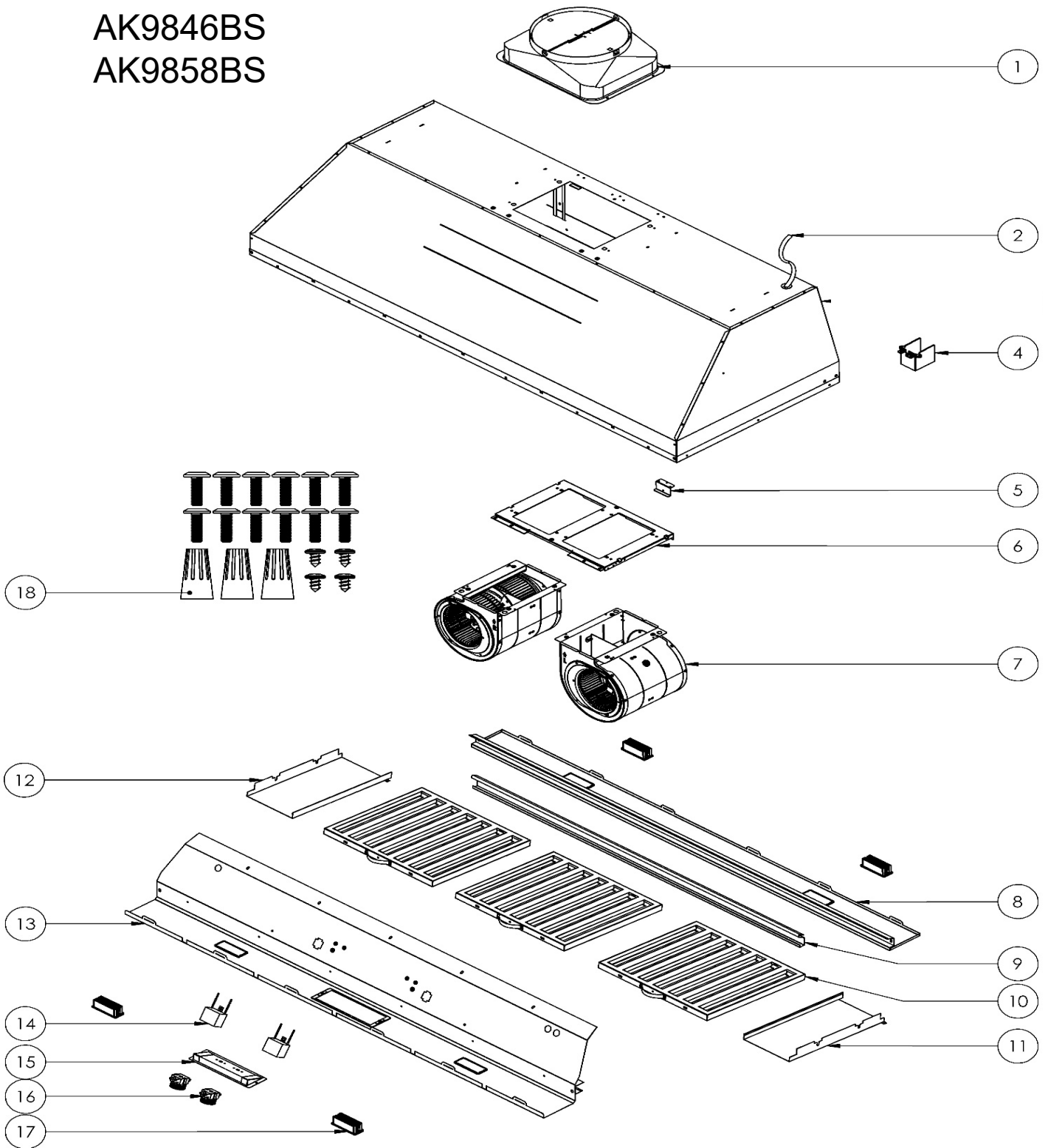


AK9834BS
AK9840BS
AK9846BS
AK9858BS



AK9834BS, AK9840BS, AK9846BS, AK9858BS

Ref #	Part #	Description	Qty.
1	54050081	10 Inch Round Duct Collar	1
2	11030117	Electrical Cord	1
4	54200011	Electrical Box	1
5	54190010	Motor Support Bracket	1
6	54190073	Dual Motor Mounting Bracket	1
7	12120070	Motor	2
8	50110405	Rear Light Panel (AK9834BS)	1
8	50110406	Rear Light Panel (AK9840BS)	1
8	50110407	Rear Light Panel (AK9846BS)	1
8	50110408	Rear Light Panel (AK9858BS)	1
9	56130052	Residue Tray (AK9834BS & AK9840BS)	1
9	56130053	Residue Tray (AK9846BS & AK9858BS)	1
10	50210047	Pro Baffle Filter (36" & 42" x 2)	3
11	50120216	Right Side Spacer Panel (AK9834BS)	1
11	50120218	Right Side Spacer Panel (AK9840BS)	1
11	50120134	Right Side Spacer Panel (AK9858BS)	1
12	50120217	Left Side Spacer Panel (AK9834BS)	1
12	50120219	Left Side Spacer Panel (AK9840BS)	1
12	50120133	Left Side Spacer Panel (AK9858BS)	1
13	50110409	Front Light Panel (AK9834BS)	1
13	50110410	Front Light Panel (AK9840BS)	1
13	50110411	Front Light Panel (AK9846BS)	1
13	50110412	Front Light Panel (AK9858BS)	1
14	12050032	Capacitor	2
15	52170089	Switch Housing	1
16-1	11040021	Rotary Switch	2
16-2	52170070	Round Control Knob	2
17	Z0B0049	LumiLight LED, 6W	4
18	05000176	Hardware Packet	1