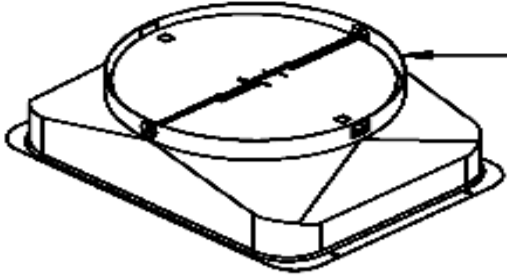
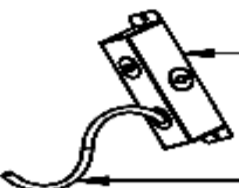


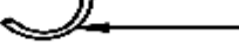
# AK8200BS



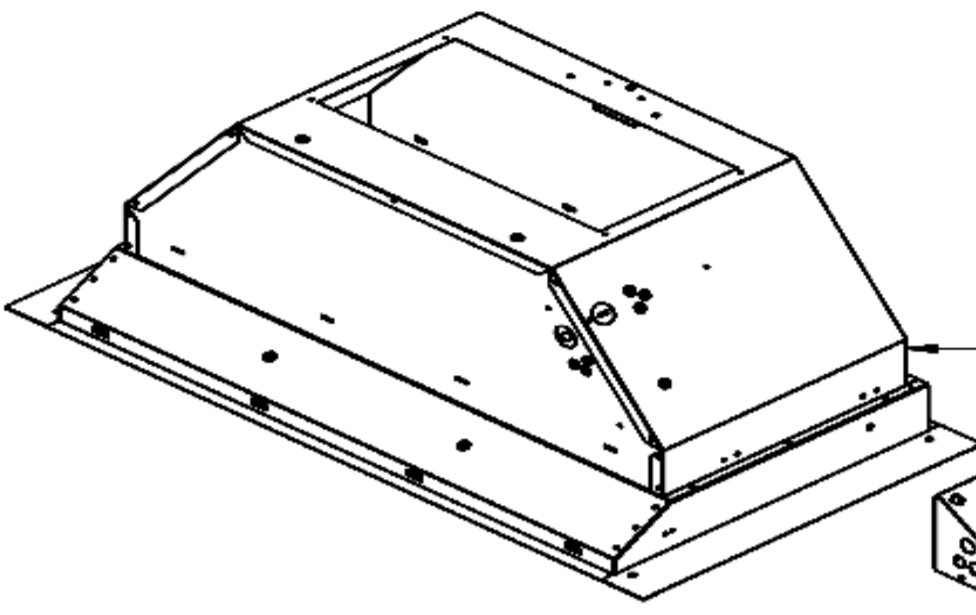
1



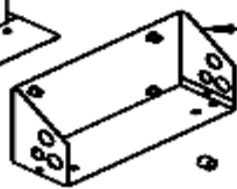
2



3



4



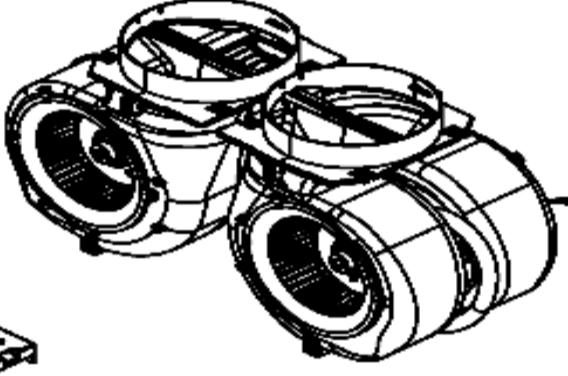
5



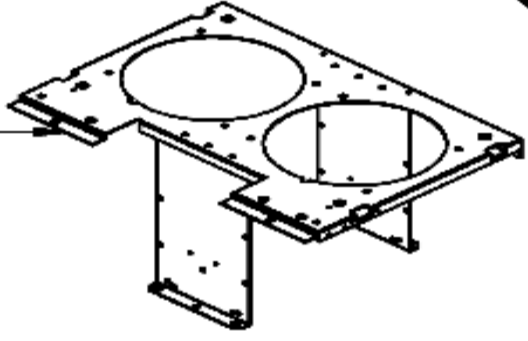
6



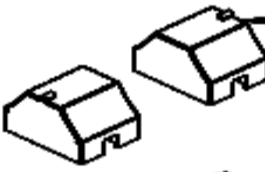
7



9



10



11



12



13



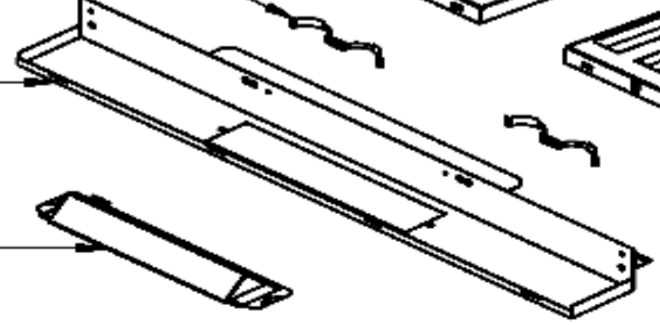
17



14



18



15



19



16



# ZEPHYR

# Tornado II

**AK8200BS**

<b>Ref #</b>	<b>Part #</b>	<b>Description</b>	<b>Qty.</b>
1	54050081	10 Inch Round Collar	1
2	56200081	Electrical Junction Box	1
3	11030015	Electrical Wire	1
5	54200024	Internal Plate	1
6	56240022	PCB Spacer	4
7	11010141	Control Board	1
8	14000005	Remote Control	1
9	12120089	Motor	2
10	54140320	Motor Bracket	1
11	56200070	Capacitor Box	2
12	56210104	Capacitor Box Cover	2
13	12050027	Capacitor	2
14	50210040	Pro Baffle Filter	2
15	50110350	Light Panel	2
16	Z0B0047	LumiLight LED, 6W	2
17	54140029	Spring Clip	2
18	50110351	Switch Panel	1
19	11000163	Switch Assembly	1
20	05000166	Hardware Packet	1

JUL21.0101