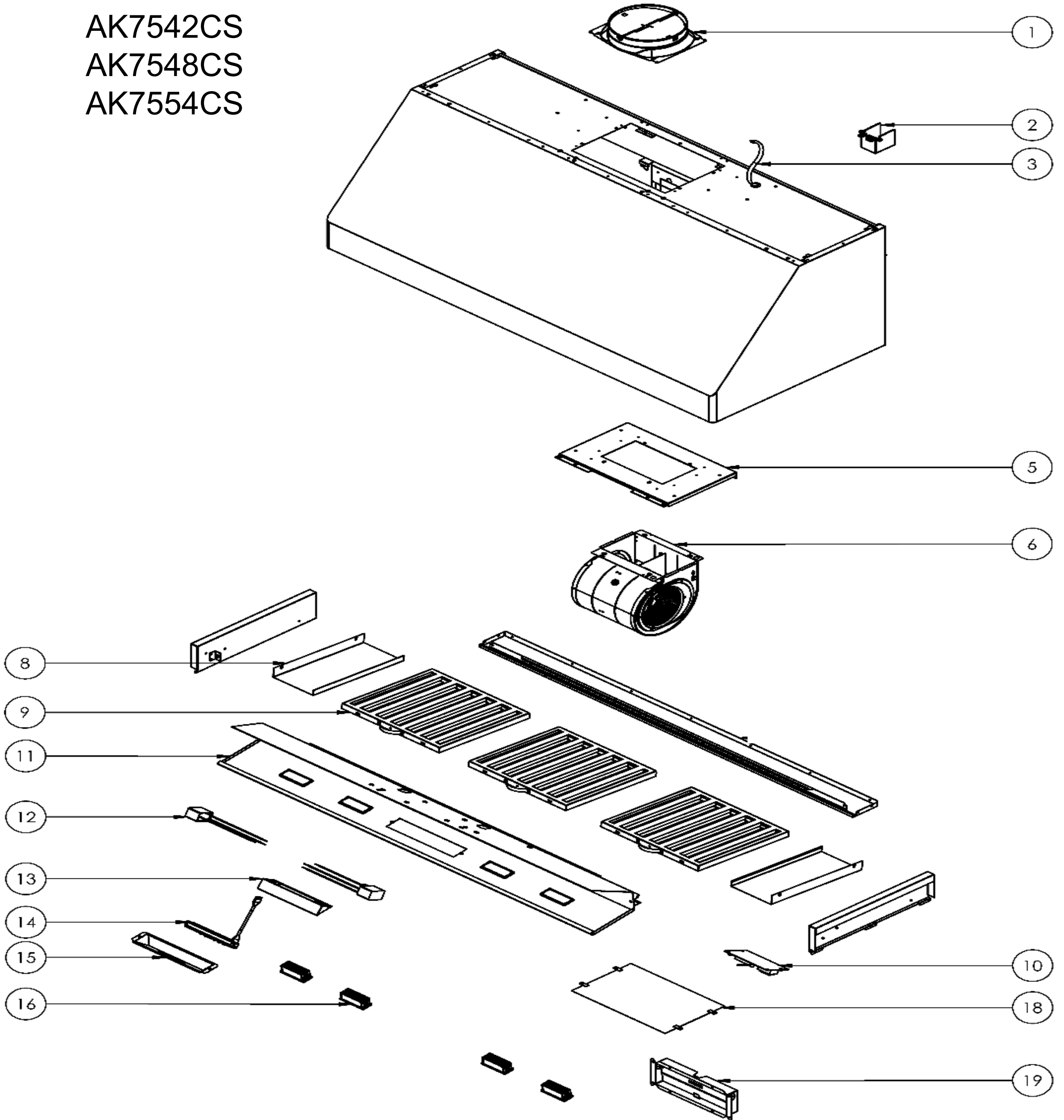


AK7500CS
AK7536CS
AK7542CS
AK7548CS
AK7554CS



AK7500CS, AK7536CS, AK7542CS, AK7548CS, AK7554CS

| Ref # | Part # | Description | Qty. |
|-------|----------|---------------------------------------|------|
| 1 | 54050078 | 8 Inch Round Collar w/Damper | 1 |
| 2 | 11030071 | Electrical Power Cord | 1 |
| 3 | 54200011 | Electrical Junction Box | 1 |
| 5 | 54190041 | Single Internal Blower Plate | 1 |
| 6 | 12120070 | Blower | 1 |
| 8 | 50120179 | Side Panel, AK7500CS | 2 |
| 8 | 50120180 | Side Panel, AK7536CS | 2 |
| 8 | 50120181 | Side Panel, AK7542CS | 2 |
| 8 | 50120182 | Side Panel, AK7548CS | 2 |
| 8 | 50120183 | Side Panel, AK7554CS | 2 |
| 9 | 50210039 | Pro Baffle Filter (48" & 54" x 3) | 2 |
| 10 | 11010122 | Control Board | 1 |
| 11 | 50110294 | Light Panel, AK7500CS | 1 |
| 11 | 50110295 | Light Panel, AK7536CS | 1 |
| 11 | 50110296 | Light Panel, AK7542CS | 1 |
| 11 | 50110297 | Light Panel, AK7548CS | 1 |
| 11 | 50110298 | Light Panel, AK7554CS | 1 |
| 12 | 12050028 | Capacitor | 1 |
| 13 | 54140301 | Switch Holding Bracket | 1 |
| 14 | 11000145 | Switch Assembly | 1 |
| 15 | 52170055 | Switch Cover Plate | 1 |
| 16 | Z0B0048 | LumiLight LED, 6W, DC (48" & 54" x 4) | 2 |
| 17 | 05000151 | Hardware Packet | 1 |
| 18 | 52170069 | Top Cover Plate | 1 |
| 19 | 54060011 | Rectangular Collar w/Damper | 1 |