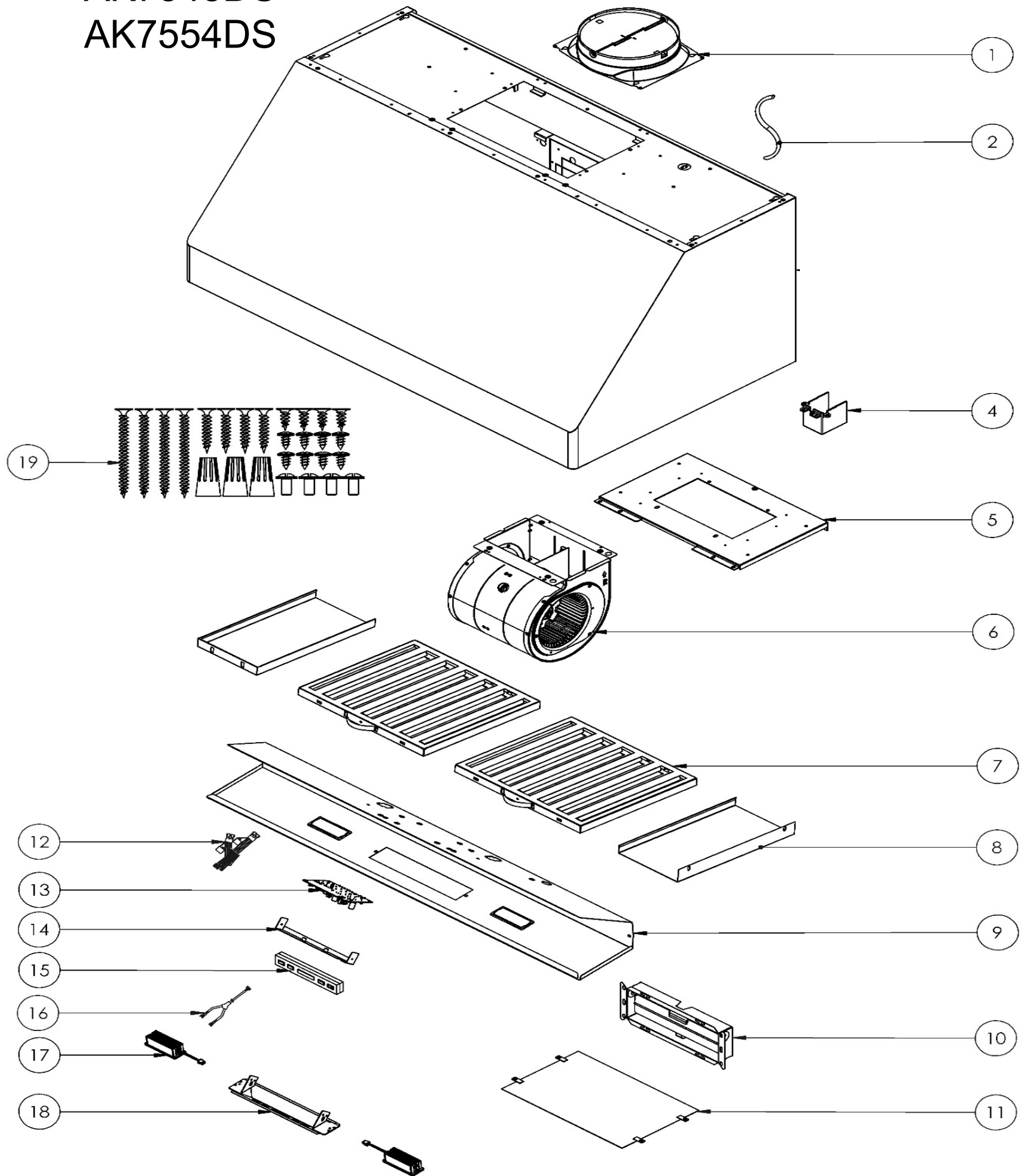


AK7500DS
AK7536DS
AK7542DS
AK7548DS
AK7554DS

ZEPHYR



AK7500DS, AK7536DS, AK7542DS, AK7548DS, AK7554DS

| Ref # | Part # | Description | Qty. |
|-------|----------|---|------|
| 1 | 54050078 | 8 Inch Round Duct Collar | 1 |
| 2 | 11030117 | Electrical Cord | 1 |
| 4 | 54200011 | Electrical Junction Box | 1 |
| 5 | 54190041 | Single Internal Blower Plate | 1 |
| 6 | 12120070 | Motor | 1 |
| 7 | 50210039 | Baffle Filter (48" & 54" x 3) | 2 |
| 8 | 50120179 | Side Panel, AK7500DS | 2 |
| 8 | 50120180 | Side Panel, AK7536DS | 2 |
| 8 | 50120181 | Side Panel, AK7542DS | 2 |
| 8 | 50120182 | Side Panel, AK7548DS | 2 |
| 8 | 50120183 | Side Panel, AK7554DS | 2 |
| 9 | 50110472 | Light Panel, AK7500DS | 1 |
| 9 | 50110473 | Light Panel, AK7536DS | 1 |
| 9 | 50110474 | Light Panel, AK7542DS | 1 |
| 9 | 50110475 | Light Panel, AK7548DS | 1 |
| 9 | 50110476 | Light Panel, AK7554DS | 1 |
| 10 | 54060011 | Rectangular Duct Collar | 1 |
| 11 | 52170069 | Top Ducting Cover Plate | 1 |
| 12 | 12050044 | Capacitor Assembly | 1 |
| 13 | 11010205 | Control Board (30", 36", 42") | 1 |
| 13 | 11010215 | Control Board (48", 54") | 1 |
| 14 | 54140399 | Switch Bracket | 1 |
| 15 | 11000198 | Switch Assembly | 1 |
| 16 | 11030207 | LED Light Wiring Harness | 1 |
| 17 | Z0B0067 | LumiLight LED, TruHue, 6W, DC 12V (48" & 54" x 4) | 2 |
| 18 | 52170092 | Switch Cover | 1 |
| 19 | 05000151 | Hardware Packet | 1 |