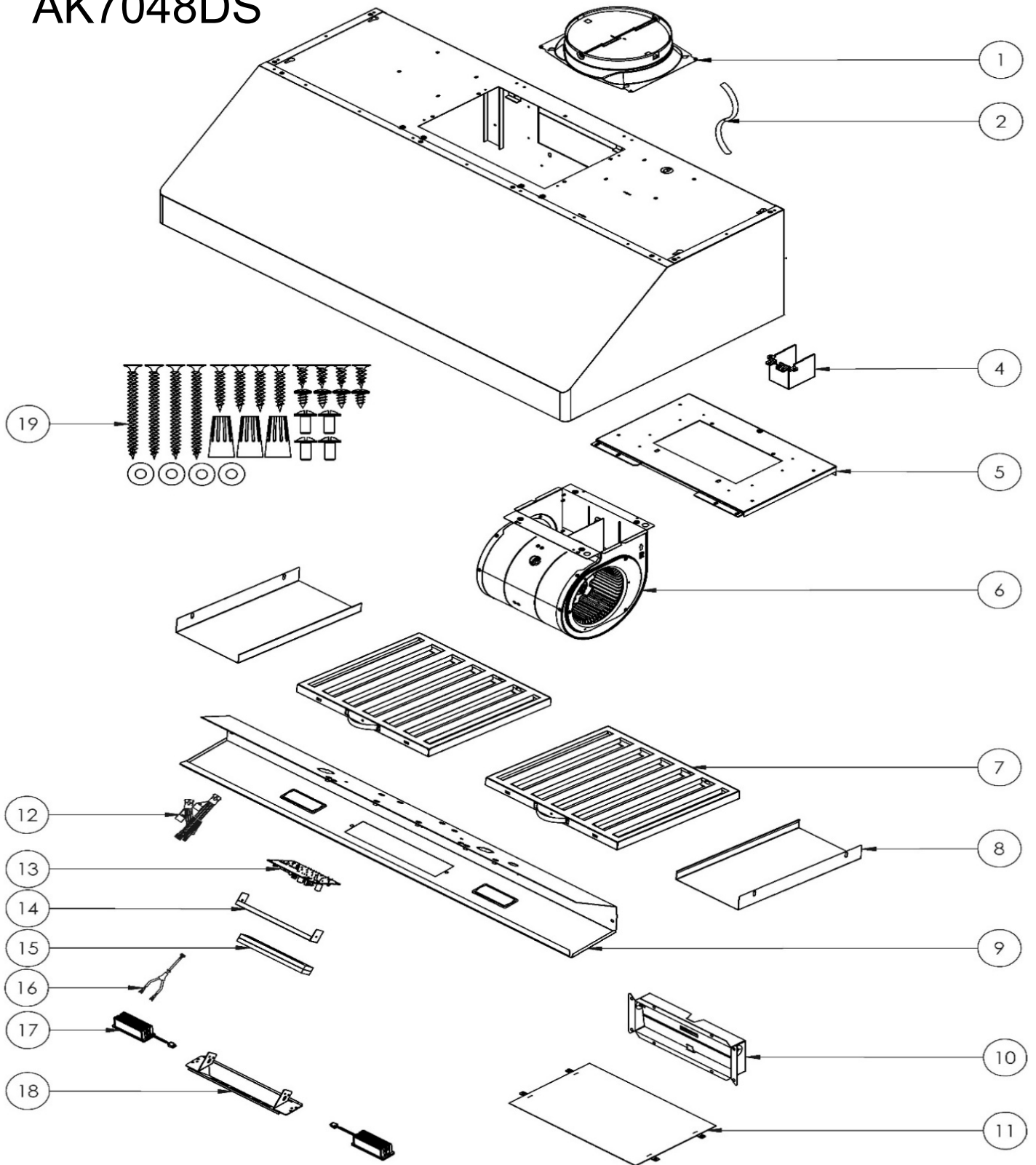


AK7000DS
AK7036DS
AK7042DS
AK7048DS

ZEPHYR



ZEPHYR

Tempest I

AK7000DS, AK7036DS, AK7042DS, AK7048DS

Ref #	Part #	Description	Qty.
1	54050078	8 Inch Round Duct Collar	1
2	11030140	Electrical Wire	1
4	54200011	Electrical Junction Box	1
5	54190041	Single Internal Blower Plate	1
6	12120070	Motor	1
7	50210039	Pro Baffle Filter (48" x 3)	2
8	50120281	Side Panel, AK7000DS	2
8	50120176	Side Panel, AK7036DS	2
8	50120177	Side Panel, AK7042DS	2
8	50120178	Side Panel, AK7048DS	2
9	50110477	Light Panel, AK7000DS	1
9	50110478	Light Panel, AK7036DS	1
9	50110479	Light Panel, AK7042DS	1
9	50110480	Light Panel, AK7048DS	1
10	54060011	Rectangular Ducting Collar	1
11	52170069	Top Blower Cover Plate	1
12	12050028	Capacitor, AK7000DS	1
12	12050044	Capacitor Assembly, 36", 42", 48"	1
13	11010216	Control Board, AK7000DS	1
13	11010205	Control Board, 36", 42", 48"	1
14	54140399	Switch Bracket	1
15	11000199	Switch Assembly, AK7000DS	1
15	11000198	Switch Assembly, 36", 42", 48"	1
16	11030207	LED Light Wiring Harness	1
17	Z0B0067	LumiLight LED, TruHue, 6W, DC 12V	2
18	52170092	Switch Cover	1
19	05000150	Hardware Packet	1