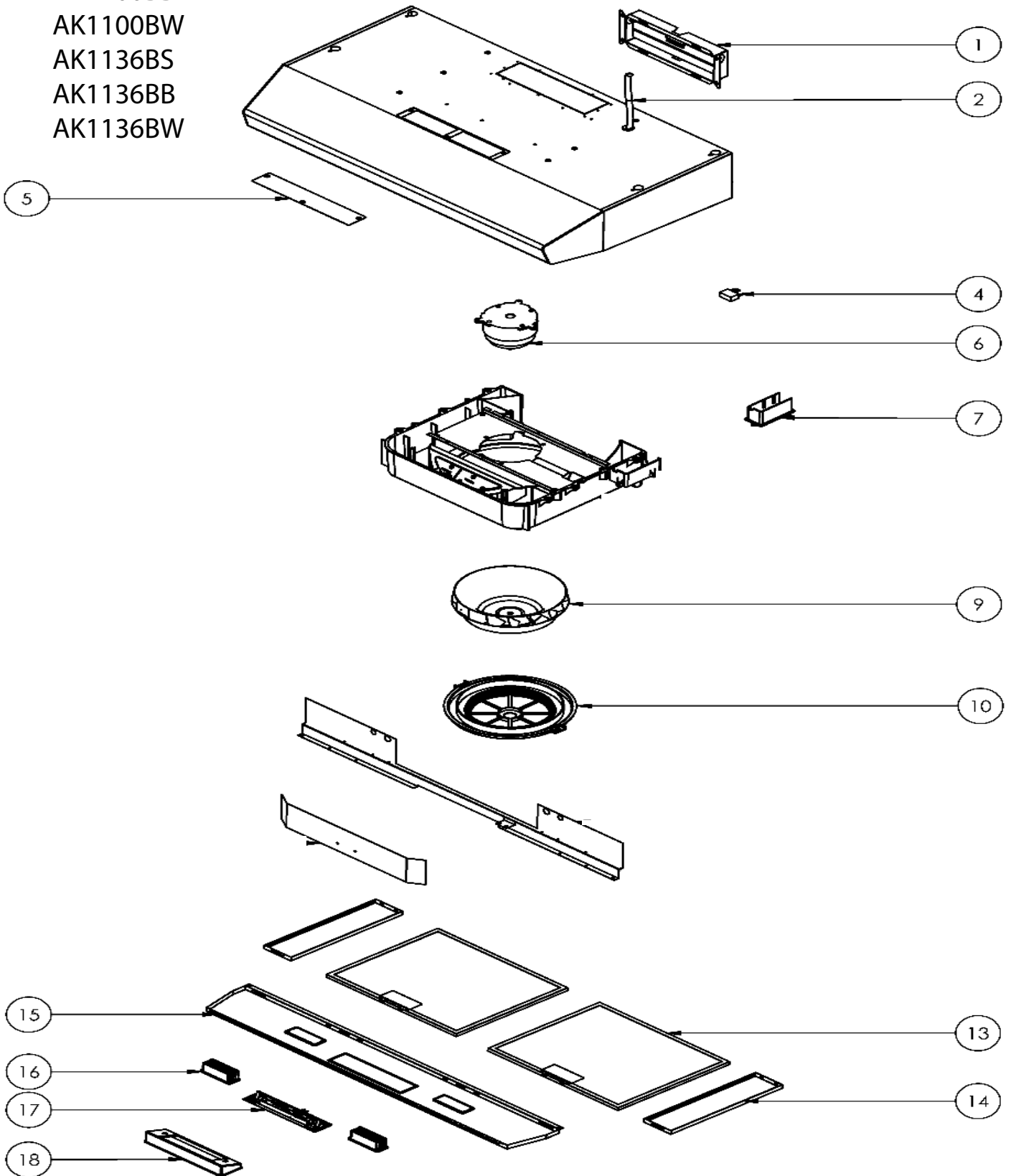


AK1124BS
AK1124BW
AK1100BS
AK1100BB
AK1100BW
AK1136BS
AK1136BB
AK1136BW



Ref #	Part #	Description	Qty.
1	54060011	Rectangular Collar w/Damper	1
2	11030015	Electrical Cord	1
4	12050012	Capacitor	1
5	50140059	Recirculating Cover Panel, Stainless Steel	1
5	50140060	Recirculating Cover Panel, Black	1
5	50140061	Recirculating Cover Panel, White	1
6	12120088	Motor	1
7	54200003	Electrical Junction Box	1
9	54250017	Blower Wheel	1
10	50220010	Residue Pan	1
13	50200013	Aluminum Mesh Filter, 24"	2
13	50200012	Aluminum Mesh Filter, 30" & 36"	2
14	50120023	Side Panel, AK1136BS	2
14	50120024	Side Panel, AK1136BB	2
14	50120025	Side Panel, AK1136BW	2
15	50110268	Light Panel, AK1124BS	1
15	50110269	Light Panel, AK1124BW	1
15	50110270	Light Panel, AK1100BS	1
15	50110289	Light Panel, AK1100BB	1
15	50110271	Light Panel, AK1100BW	1
15	50110272	Light Panel, AK1136BS	1
15	50110273	Light Panel, AK1136BW	1
15	50110274	Light Panel, AK1136BB	1
16	Z0B0049	LumiLight LED, 6W, AC	2
16-1	11030154	LED Wiring, 24"	1
16-1	11030153	LED Wiring, 30" & 36"	1
17	11000146	Switch Assembly, Black	1
17	11000147	Switch Assembly, White	1
18	56200022	Switch Housing	1
19	05000037	Hardware Packet	1