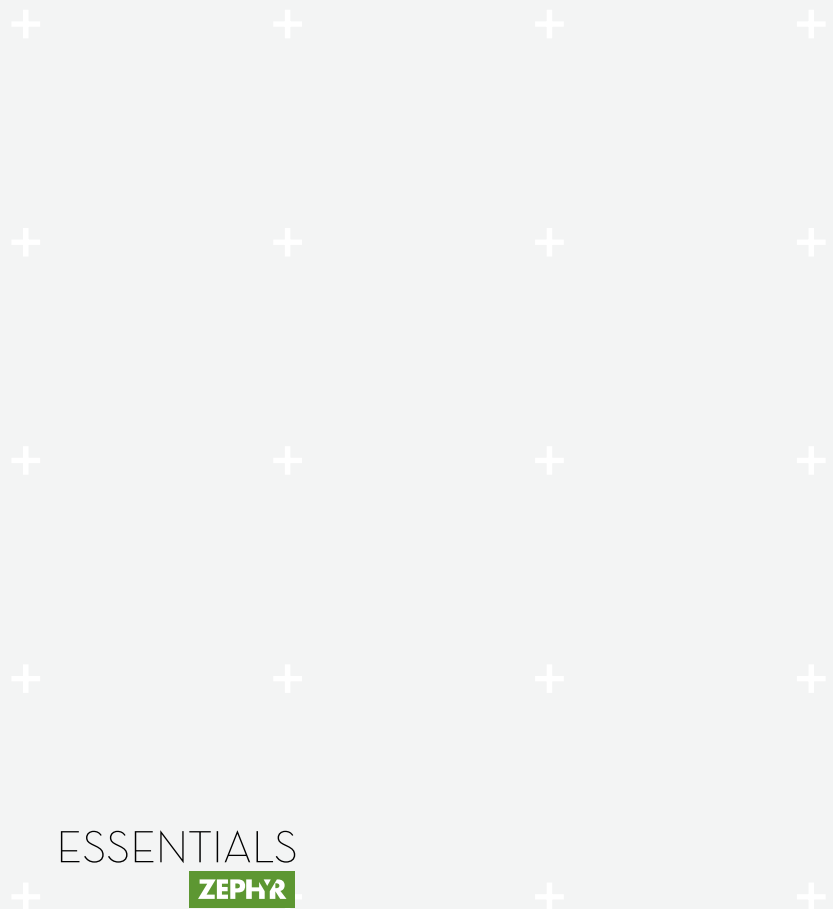
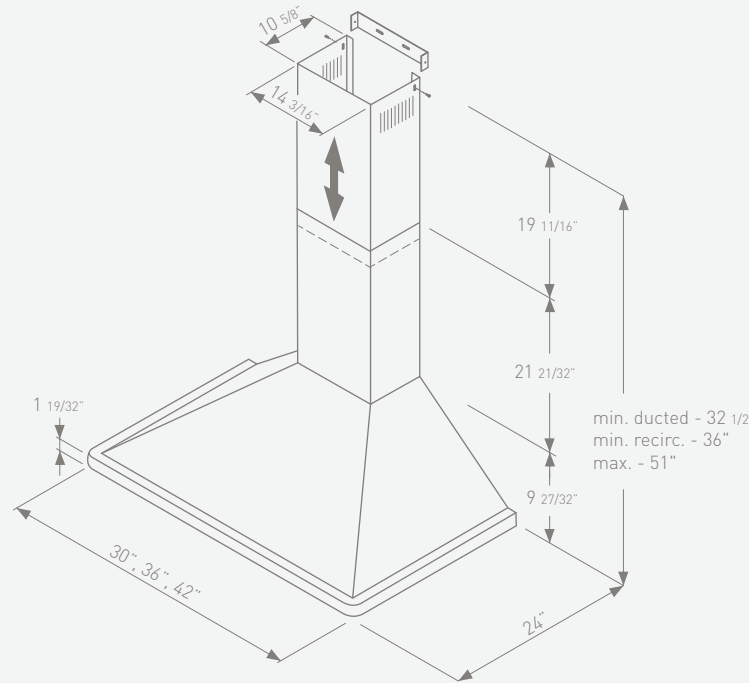


ENEZIA

Clean, classic lines ascend toward the sky, while a quartet of halogens enlightens the work below. Venezia gives you every modern convenience, including optional spice rack that lets you make the most of your vertical space. Available in all popular dimensions, this popular hood fits large and small kitchens alike.



ESSENTIALS



VENEZIA

WALL

MODEL	ZVE-E30S	ZVE-E36S	ZVE-E42S
SIZE	30"	36"	42"
NET WIDTH	30"	36"	42"
PERFORMANCE			
Internal Blower	715	715	715
Internal Blower Sones	6	6	6
COLOR			
Stainless Steel	SS	SS	SS
FEATURES			
Controls	Electronic Touch	Electronic Touch	Electronic Touch
Speed Levels	6	6	6
Delay Off	Yes	Yes	Yes
Lighting	Halogen, 50W x 2	Halogen, 50W x 4	Halogen, 50W x 4
Dual Level Lighting	Yes	Yes	Yes
Filters	Metal Mesh x 2	Metal Mesh x 3	Metal Mesh x 3
Recirculating	Yes	Yes	Yes
Duct Cover Extension	Yes, Up to 14' Ceiling	Yes, Up to 14' Ceiling	Yes, Up to 14' Ceiling
DUCT SPECIFICATIONS			
Internal Blower - Vertical	6"	6"	6"
Internal Blower - Horizontal	NA	NA	NA
AC INPUT	120V - 60Hz	120V - 60Hz	120V - 60Hz
AC POWER	Max. 450W at 4.0 Amps	Max. 550W at 4.6 Amps	Max. 550W at 4.6 Amps
OPTIONAL ACCESSORIES			
Recirculating Kit	ZRC-0050	ZRC-0051	ZRC-0051
Extension Kit (up to 14' ceiling)	Z1C-00VE	Z1C-00VE	Z1C-00VE
Stainless Steel Back Splash	Z0S-0013	Z0S-0016	Z0S-0012
Stainless Steel Spice Rack	Z0R-0013	Z0R-0016	Z0R-0012

Mounting Height (Ducted) Min. ceiling height 8'. Hood mounted 28" above cooking surface; 64" from floor.

Max. ceiling height 10'3". Hood mounted 36" above cooking surface; 72" from floor.

Mounting Height (Recirculating) Min. ceiling height 8'4". Hood mounted 28" above cooking surface; 64" from floor.

Max. ceiling height 10'3". Hood mounted 36" above cooking surface; 72" from floor.

ESSENTIALS



Zephyr Corporation

395 Mendell Street
San Francisco, CA 94124

1.888.880.VENT

www.zephyronline.com febo7.0201

