

Designed with professional-grade performance and seamless contours, the wall-mount Tempest II gives you serious cooking power, with 650-CFM or 1,200-CFM blower options. Equipped with dishwasher-safe, high-airflow

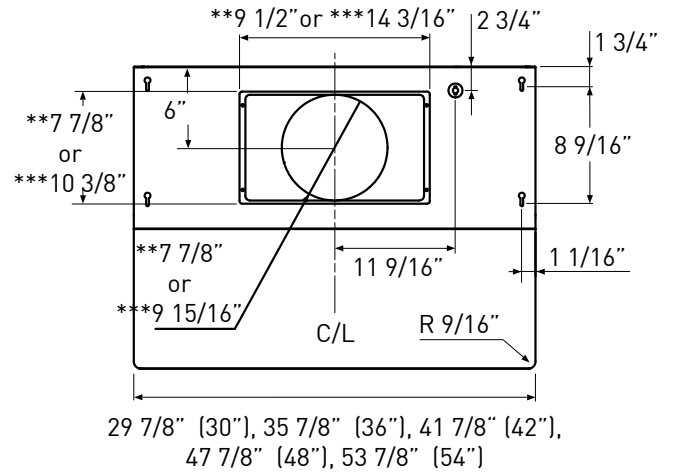
pro baffle filters, an optional wireless remote control, 6-speeds, and dual-level halogen lighting, it's everything the demanding cook could ask for.

ACT™

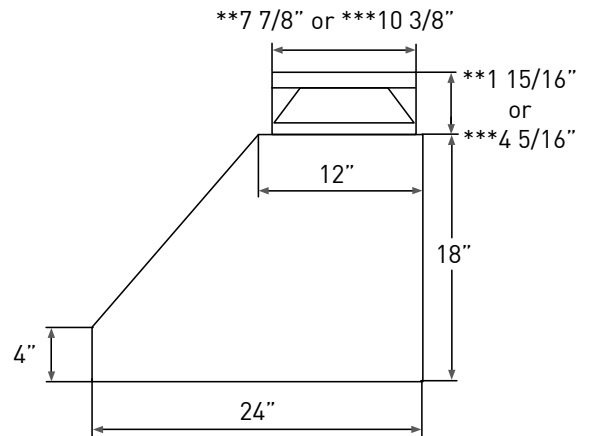
	INTERNAL BLOWER STANDARD	INTERNAL BLOWER with ACT™ AIRFLOW CONTROL TECHNOLOGY™*	
	200 - 650	200 - 390	200 - 290
Single Blower (Included) Min. - Max. CFM	200 - 650	200 - 390	200 - 290
Single Blower (Included) Min. - Max. Sones	1 - 6	1 - 4	1 - 3
Dual Blower (Optional) Min. - Max. CFM	400 - 1,200	*AIRFLOW CONTROL TECHNOLOGY™ (ACT™) is an exclusive feature built into specific Zephyr hoods which can limit the maximum blower CFM to meet local code requirements.	
Dual Blower (Optional) Min. - Max. Sones	3.5 - 9		



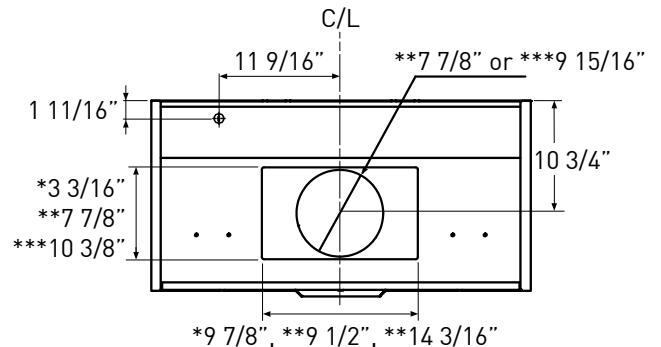
Optional Wireless Remote Control



TOP



SIDE



BACK

\* Single Blower Rect. Ducting Dimension  
\*\* Single Blower Round Ducting Dimension  
\*\*\* Dual Blower Dimension

**MODEL**

<b>Stainless Steel</b>	AK7500BS	AK7536BS/AK7542BS	AK7548BS/AK7554BS
<b>Size</b>	30"	36"/42"	48"/54"

**PERFORMANCE**

<b>Included Single Blower</b>	200-650 CFM, 1-6 sones	200-650 CFM, 1-6 sones	200-650 CFM, 1-6 sones
<b>ACT 390*</b>	200-390 CFM, 1-4 sones	200-390 CFM, 1-4 sones	200-390 CFM, 1-4 sones
<b>ACT 290*</b>	200-290 CFM, 1-3 sones	200-290 CFM, 1-3 sones	200-290 CFM, 1-3 sones
<b>Optional Dual Blower</b>	400-1,200 CFM, 3.5-9 sones	400-1,200 CFM, 3.5-9 sones	400-1,200 CFM, 3.5-9 sones

**FEATURES**

<b>ACT™ Technology</b>	Yes	Yes	Yes
<b>Controls</b>	Electronic Touch	Electronic Touch	Electronic Touch
<b>Speed Levels</b>	6**	6**	6**
<b>Auto Delay-Off</b>	Yes	Yes	Yes
<b>CleanAir Function</b>	Yes	Yes	Yes
<b>Lighting</b>	Halogen, 35W x2	Halogen, 35W x2	Halogen, 35W x4
<b>Dual-Level Lighting</b>	Yes	Yes	Yes
<b>Filters</b>	Pro Baffle x2	Pro Baffle x3	Pro Baffle x4
<b>Wireless Remote Control Option</b>	Yes, RF	Yes, RF	Yes, RF
<b>Dual Internal Blower Option</b>	Yes	Yes	Yes
<b>Recirculating Option***</b>	Yes, Single Blower Only	Yes, Single Blower Only	NA
<b>ADA Compliant</b>	Yes (with remote accessory)	Yes (with remote accessory)	Yes (with remote accessory)

**DUCT SPECIFICATIONS**

<b>Vertical Single Internal Blower</b>	8" Round	8" Round	8" Round
<b>Horizontal Single Internal Blower†</b>	3-1/4" x 10" or 8" Round	3-1/4" x 10" or 8" Round	3-1/4" x 10" or 8" Round
<b>Vertical Dual Internal Blower</b>	10" Round	10" Round	10" Round
<b>Horizontal Dual Internal Blower</b>	10" Round	10" Round	10" Round

<b>AC POWER (Single Blower)</b>	120V, 60Hz, Max. 5A	120V, 60Hz, Max. 5A	120V, 60Hz, Max. 5A
<b>AC POWER (Dual Blower)</b>	120V, 60Hz, Max. 9A	120V, 60Hz, Max. 9A	120V, 60Hz, Max. 9A

**OPTIONAL ACCESSORIES**

<b>12" Duct Cover</b>	AK0720	AK0726/AK0722	AK0728/AK0724
<b>Wireless Remote Control</b>	14000005	14000005	14000005
<b>Dual Internal Blower Kit</b>	PBD-1200A	PBD-1200A	PBD-1200A
<b>Recirculating Kit</b>	ZRC-7000B	ZRC-7036B/ZRC-7042B	NA
<b>Backsplash with Shelves</b>	AK0710	AK0716/AK0712	AK0718/AK0714
<b>Bloom™ GU10 LED</b>	ZOB0040	ZOB0040	ZOB0040
<b>Make-Up Air Kit (Single Blower)</b>	MUA008A	MUA008A	MUA008A
<b>Make-Up Air Kit (Dual Blower)</b>	MUA010A	MUA010A	MUA010A

<b>MOUNTING HEIGHT RANGE††</b>	26" - 36"	26" - 36"	26" - 36"
--------------------------------	-----------	-----------	-----------

<b>WARRANTY</b>	3 years parts, 1 year labor	3 years parts, 1 year labor	3 years parts, 1 year labor
-----------------	-----------------------------	-----------------------------	-----------------------------

\*ACT™ only available with single internal blower.

\*\*When ACT™ is enabled the maximum speed levels will change. ACT 390 CFM = 3 speeds and ACT 290 CFM = 2 speeds.

\*\*\*Recirculating kit includes a return-air box which adds an additional 4" to the hood height. Recirculating kit is only compatible with single blower.

†If horizontally ducting via 3-1/4" x 10", the maximum airflow of 650 CFM will be reduced to 550 CFM.

††Mounting height refers to distance between top of a 36" tall cooking surface and bottom of hood.

**ACT™** AIRFLOW CONTROL TECHNOLOGY™ (ACT™) is an exclusive feature built into specific Zephyr hoods which can limit the maximum blower CFM to meet local code requirements.

Specifications subject to change, check zephyronline.com for up-to-date information.  
 Zephyr Ventilation | 2277 Harbor Bay Parkway, Alameda, CA 94502 | 888.880.VENT  
 SEP17.0401

