



TAMBURO

ZTA-E30S ZTA-E36S

At Zephyr ventilation we recognize the kitchen is the center of your home.

So for us, good design isn't an afterthought or a luxury, it's an invitation to be a little different. Quiet, efficient and modern, each of our high performance ventilation hoods is thoughtfully designed to bring a distinctive presence to any kitchen.

Because even though it's the center of everyday life, who says your kitchen has to feel so everyday?



ZEPHYR
www.zephyronline.com

E U R O P A C O L L E C T I O N

MODEL: ZTA-E30S ZTA-E36S

size	30 inch, 36 inch
net width	29-7/8 inch, 35-7/8 inch
finish	stainless

PERFORMANCE

cfm	400 cfm
sones (max)	5
ac input	120V - 60Hz
ac power	600W / 5.1 AMPS

FEATURES

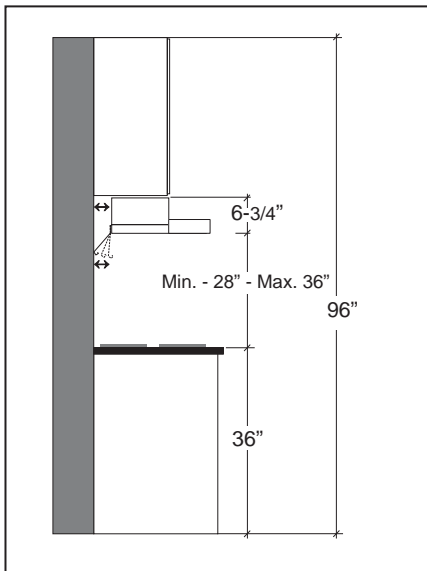
halogen lamps	2
dual level lighting	no
slide controls	•
3 speed levels	•
aluminum filters	•
adjustable depth	*

DUCT OPTIONS

vertical ducting	5 inch
rear ducting	3 1/4" x 10"
ductless option	•

ACCESSORIES

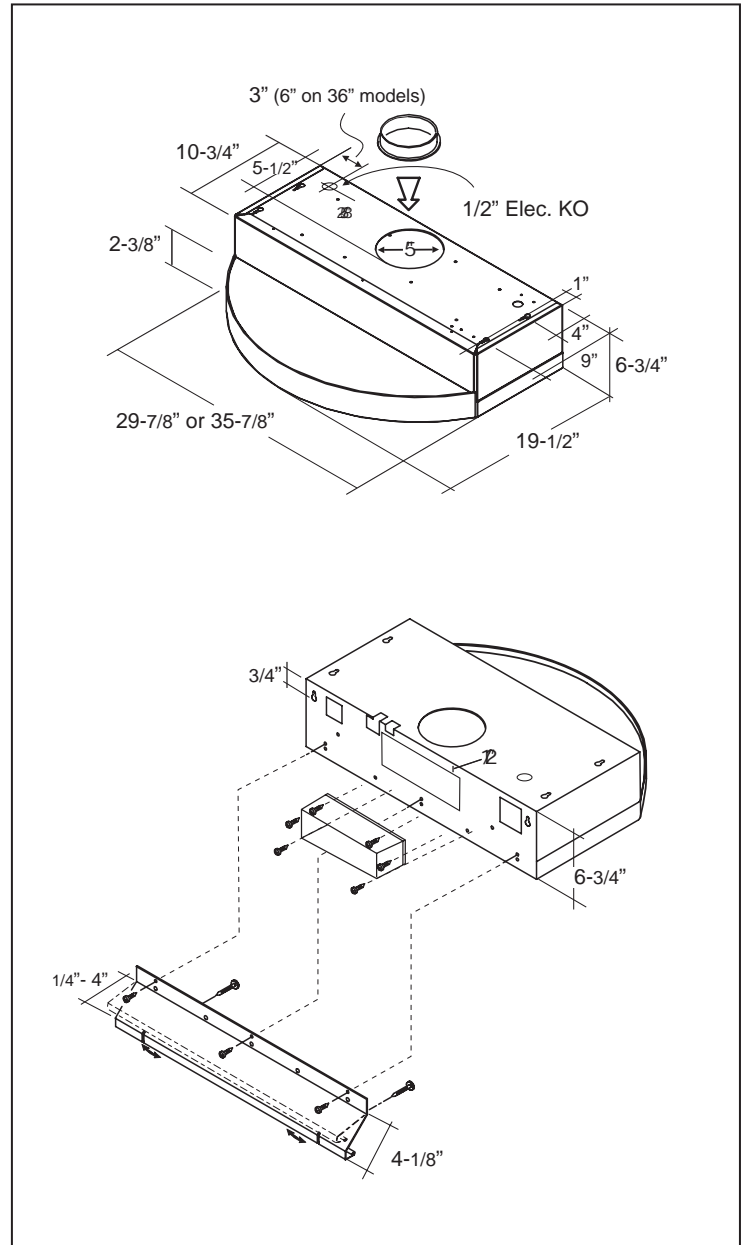
carbon filters (2) - 30"	Z0F-C042
carbon filters (3) - 36"	Z0F-C043
replacement filters (2) - 30"	Z0F-M052
replacement filters (3) - 36"	Z0F-M053
replacement lights (2)	Z0B-0011
	JDR-E27 50W



Optimum mounting height at 28" - 30" from top of counter to hood bottom (64" - 66" from floor to hood bottom).

TAMBURO

ZTA-E30S ZTA-E36S



Please call 1.888.880.VENT or check our website at www.zephyronline.com for the potential specifications updates before making cut-outs or ordering custom work/modifications.

