

SIENA PRO island

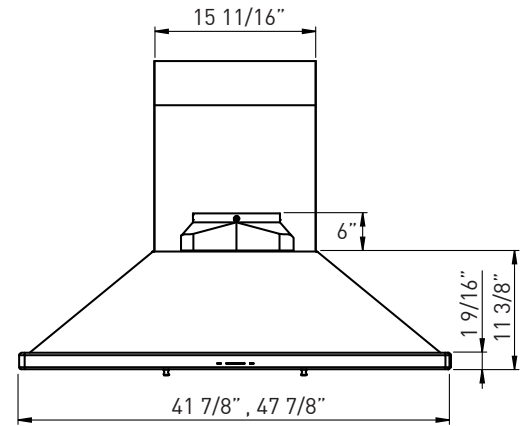
With its classic, professional-style design Siena Pro island manages to encompass a wealth of features perfect for the culinary pro or any aspiring home chef. Equipped with a 1200-CFM blower, Zephyr's ICON Touch™ controls, and the unique Quick-Lock installation system, Siena Pro is as easy to install as it is to enjoy.

MODEL	SIZE	INTERNAL BLOWER		IN-LINE/EXTERNAL	
		Min.-Max. CFM	Min.-Max. Sones	Min.-Max. CFM	Min.-Max. Sones
ZSL-E42AS	42"	400 - 1200	3.5 - 9	NA	NA
ZSL-E48AS	48"	400 - 1200	3.5 - 9	NA </td <td>NA</td>	NA

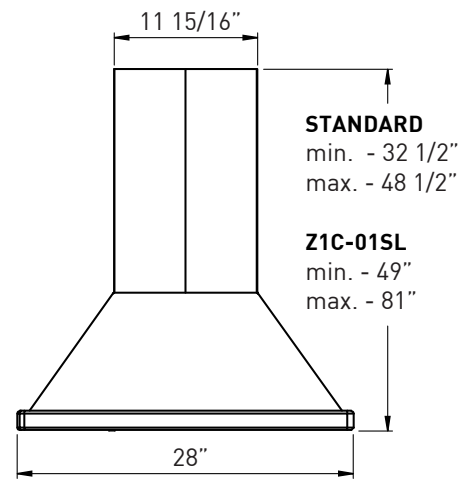


SIZE	
ZSL-E42AS	42"
ZSL-E48AS	48"
PERFORMANCE	
INTERNAL, MIN.-MAX. BLOWER CFM	400 - 1200
INTERNAL, MIN.-MAX. SONES	3.5 - 9
COLOR	
STAINLESS STEEL	SS
FEATURES	
CONTROLS	ICON Touch™
SPEED LEVELS	5
5 MINUTE AUTO DELAY-OFF	Yes
LIGHTING	Halogen, 50W x 4
DUAL LEVEL LIGHTING	Yes
FILTERS	
ZSL-E42AS	Hybrid Baffles x 2
ZSL-E48AS	Hybrid Baffles x 3
RECIRCULATING OPTION	No
QUICK-LOCK INSTALLATION SYSTEM	Yes
EXTENSION DUCT COVER OPTION	Yes, Up to 12' Ceiling
DUCT SPECIFICATIONS	
VERTICAL - INTERNAL	10" Round
HORIZONTAL - INTERNAL	NA
AC POWER	
	120V, 60Hz at Max. 9A
OPTIONAL ACCESSORIES	
EXTENSION DUCT COVER	Z1C-01SL
UNIVERSAL MAKE-UP AIR KIT	MUA010A
MOUNTING HEIGHT*	
	26" - 34"
WARRANTY	
	3 Years Parts, 1 Year Labor

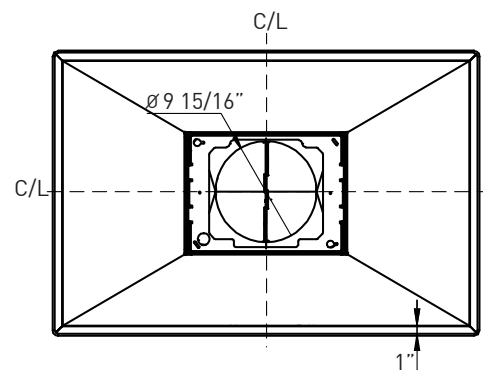
Specifications subject to change, check zephyronline.com for up-to-date information.



FRONT



SIDE



TOP

CEILING HEIGHT		8'	8.5'	9'	9.5'	10'	10.5'	11'	12'
STANDARD DUCT COVER	Ducted Mounting Height*	26"-27.5"	26"-33.5"	26"-34"	29.5"-34"	NA	NA	NA	NA
	Ducted Mounting Height*	NA	NA	NA	26"-29"	26"-34"	26"-34"	26"-34"	27"-34"
EXTENSION DUCT COVER	Ducted Mounting Height*	NA	NA	NA	26"-29"	26"-34"	26"-34"	26"-34"	27"-34"
	Ducted Mounting Height*	NA	NA	NA	26"-29"	26"-34"	26"-34"	26"-34"	27"-34"

*Mounting height refers to distance between top of a 36" tall cooking surface and bottom of hood.

