

# ROMA island

A sharp, angular island design as distinctively bold as its namesake city, Roma's sleek shape is ideal for the savvy renovator, the discerning high-rise developer or the builder who buys in mass but won't skimp on quality. Designed with the innovative Quick-Lock installation system, ICON Touch™ controls and dual level lighting, Roma island is ready to start cooking in no time.

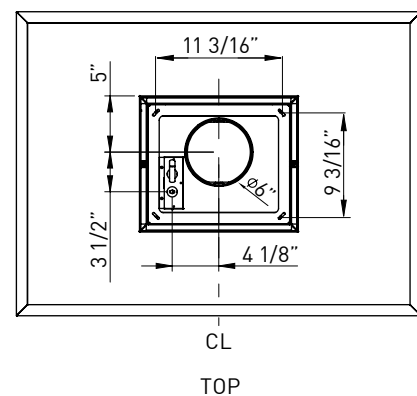
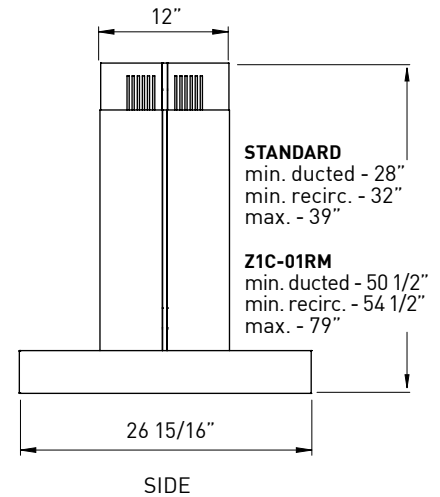
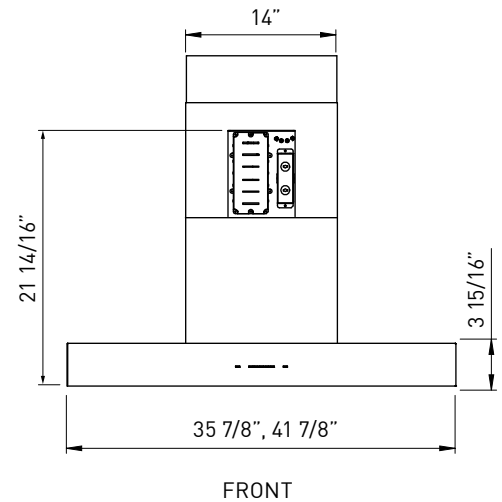
	INTERNAL BLOWER STANDARD	ACT™ INTERNAL BLOWER with AIRFLOW CONTROL TECHNOLOGY™	
Min.-Max. CFM	200 - 600	Min.-Max. CFM	200 - 390      200 - 290
Min.-Max. Sones	1 - 6	Min.-Max. Sones	1 - 4      1 - 3

*ACT™ is an exclusive feature built into specific Zephyr hoods which can limit the maximum blower CFM to meet local code requirements.*



<b>SIZE</b>	
ZRM-E36CS	36"
ZRM-E42CS	42"
<b>PERFORMANCE</b>	
INTERNAL, MIN.-MAX. BLOWER CFM	200 - 600
INTERNAL, MIN.-MAX. SONES	1 - 6
<b>COLOR</b>	
STAINLESS STEEL	SS
<b>FEATURES</b>	
ACT™	Yes
CONTROLS	ICON Touch™
SPEED LEVELS	5*
AUTO DELAY-OFF	No
LIGHTING	Halogen, 50W x4
DUAL LEVEL LIGHTING	Yes
FILTERS	
ZRM-E36CS	Aluminum Mesh x 2
ZRM-E42CS	Aluminum Mesh x 3
RECIRCULATING OPTION	Yes
DUCT COVER EXTENSION OPTION	Yes, Up to 12' Ceiling
<b>DUCT SPECIFICATIONS</b>	
VERTICAL - INTERNAL	6"
HORIZONTAL - INTERNAL	NA
<b>AC POWER</b>	
	120V, 60Hz at Max. 5A
<b>OPTIONAL ACCESSORIES</b>	
RECIRCULATING KIT	
ZRM-E36CS	ZRC-02RM
ZRM-E42CS	ZRC-01RM
DUCT COVER EXTENSION	Z1C-01RM
UNIVERSAL MAKE-UP AIR KIT	MUA006A
<b>MOUNTING HEIGHT*</b>	
	26" - 34"
<b>WARRANTY</b>	
	3 Years Parts, 1 Year Labor

Specifications subject to change, check zephyronline.com for up-to-date information.



		<b>CEILING HEIGHT</b>							
		8'	8.5'	9'	9.5'	10'	10.5'	11'	12'
<b>STANDARD DUCT COVER</b>	Ducted Mounting Height*	26"-32"	27"-34"	33"-34"	NA	NA	NA	NA	NA
	Recirc. Mounting Height*	26"-28"	27"-34"	33"-34"	NA	NA	NA	NA	NA
<b>EXTENSION DUCT COVER</b>	Ducted Mounting Height*	NA	NA	NA	26"-27.5"	26"-33.5"	26"-34"	26"-34"	29"-34"
	Recirc. Mounting Height*	NA	NA	NA	NA	26"-29.5"	26"-34"	26"-34"	29"-34"

\*When ACT™ is enabled the maximum speed levels will change. ACT 390 CFM = 4 speeds and ACT 290 CFM = 3 speeds.

\*\*Mounting height refers to distance between top of a 36" tall cooking surface and bottom of hood.