

Modena island's low profile stainless steel and airy glass canopy resemble a floating island over your cooktop or range. A perfect blend of architecture and performance the Modena island includes the exclusive Quick-Lock

installation system with magnetic duct covers and our DCBL™ and ACT™ technology, the most advanced systems available today. Now available with an optional wireless remote control.



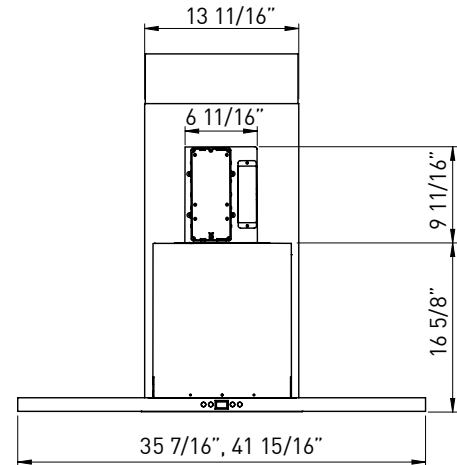
ACT™

Min. - Max. CFM	INTERNAL BLOWER STANDARD	INTERNAL BLOWER with ACT™ AIRFLOW CONTROL TECHNOLOGY™*		
	250 - 715	250 - 590	250 - 390	250 - 290
Min. - Max. Sones	0.8 - 5.8	0.8 - 4.5	0.8 - 3	0.8 - 1.2

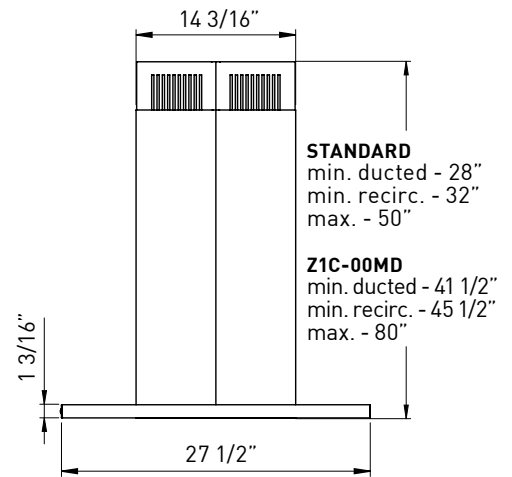
\*AIRFLOW CONTROL TECHNOLOGY™ (ACT™) is an exclusive feature built into specific Zephyr hoods which can limit the maximum blower CFM to meet local code requirements.



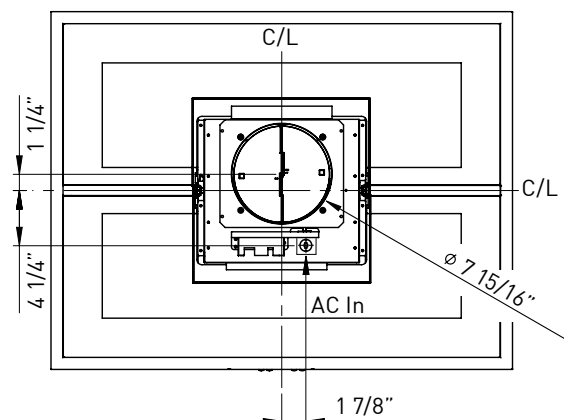
Optional Wireless Remote Control



FRONT




SIDE



TOP

MODEL		ZMD-M90AS	ZMD-E42AS						
Stainless Steel w/ Glass									
<b>Size</b>									
Blower CFM (Min. - Max.)	250 - 715	250 - 715							
Sones (Min. - Max.)	0.8 - 5.8	0.8 - 5.8							
ACT 590 CFM (Min. - Max.)	250 - 590	250 - 590							
ACT 590 Sones (Min. - Max.)	0.8 - 4.5	0.8 - 4.5							
ACT 390 CFM (Min. - Max.)	250 - 390	250 - 390							
ACT 390 Sones (Min. - Max.)	0.8 - 3	0.8 - 3							
ACT 290 CFM (Min. - Max.)	250 - 290	250 - 290							
ACT 290 Sones (Min. - Max.)	0.8 - 1.2	0.8 - 1.2							
<b>FEATURES</b>									
DCBL Suppression System®	Yes	Yes							
ACT™ Technology	Yes	Yes							
Controls	Electronic LCD	Electronic LCD							
Speed Levels	5 + Burst	5 + Burst							
Auto Delay-Off	Yes	Yes							
Lighting	Bloom™ HD LED, 3W x4	Bloom™ HD LED, 3W x4							
Dual-Level Lighting	Yes	Yes							
Filters	Aluminum Mesh x1	Aluminum Mesh x1							
Recirculating Option	Yes	Yes							
Quick-Lock Installation	Yes	Yes							
Magnetic Duct Covers	Yes	Yes							
Extension Duct Cover Option	Yes, Up to 12' Ceiling	Yes, Up to 12' Ceiling							
ADA Compliant	Yes (with remote accessory)	Yes (with remote accessory)							
<b>DUCT SPECIFICATIONS</b>									
Vertical Internal Blower	8" Round	8" Round							
Horizontal Internal Blower	NA	NA							
AC POWER	120V, 60Hz at Max. 4A	120V, 60Hz at Max. 4A							
<b>OPTIONAL ACCESSORIES</b>									
Wireless Remote Control	RC-0001	RC-0001							
Recirculating Kit	ZRC-00MD	ZRC-00MD							
Extension Duct Cover	Z1C-00MD	Z1C-00MD							
Make-Up Air Kit	MUA008A	MUA008A							
<b>MOUNTING HEIGHT RANGE*</b>		26" - 34"	26" - 34"						
<b>WARRANTY</b>		3 years parts, 1 year labor	3 years parts, 1 year labor						
<b>CEILING HEIGHT</b>		8'	8.5'	9'	9.5'	10'	10.5'	11'	12'
<b>STANDARD DUCT COVER</b>	Ducted Mounting Height*	26" - 33"	26" - 34"	26" - 34"	28" - 34"	34" - 34"	NA	NA	NA
	Recirc Mounting Height*	26" - 32"	26" - 34"	26" - 34"	28" - 34"	34" - 34"	NA	NA	NA
<b>EXTENSION DUCT COVER</b>	Ducted Mounting Height*	NA	NA	26" - 30.5"	26" - 34"	26" - 34"	26" - 34"	26" - 34"	28" - 34"
	Recirc Mounting Height*	NA	NA	26" - 26.5"	26" - 32.5"	26" - 34"	26" - 34"	26" - 34"	28" - 34"

\*Mounting height refers to distance between top of a 36" tall cooking surface and bottom of hood.

**DCBL**  DCBL Suppression System® offers up to 77% less noise, up to 30% more CFM, and up to 77% more energy efficiency for the most advanced range hood technology.

**ACT**™ AIRFLOW CONTROL TECHNOLOGY™ (ACT™) is an exclusive feature built into specific Zephyr hoods which can limit the maximum blower CFM to meet local code requirements.

Specifications subject to change, check zephyronline.com for up-to-date information.  
Zephyr Ventilation | 2277 Harbor Bay Parkway, Alameda, CA 94502 | 888.880.VENT

SEP17.0201

