

A bold technological breakthrough, Milano island includes our DCBL Suppression System® making it the quietest, most powerful, energy efficient range hood available today. Available with clear glass and stainless steel

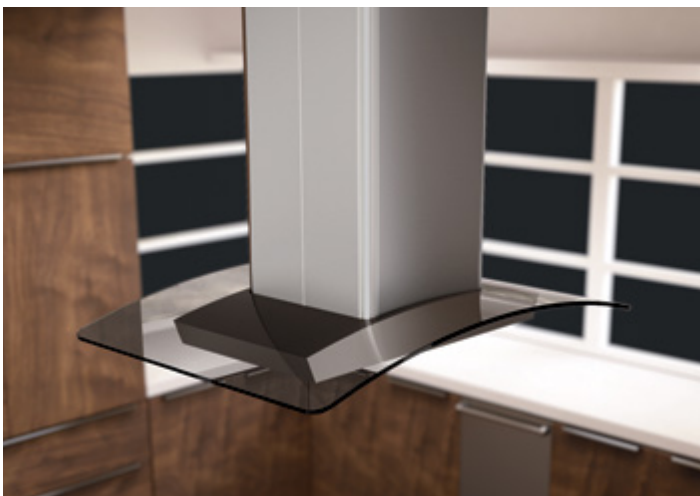
canopy options, ACT™ technology, and the exclusive Quick-Lock installation system with magnetic duct covers. Now available with an optional wireless remote control.



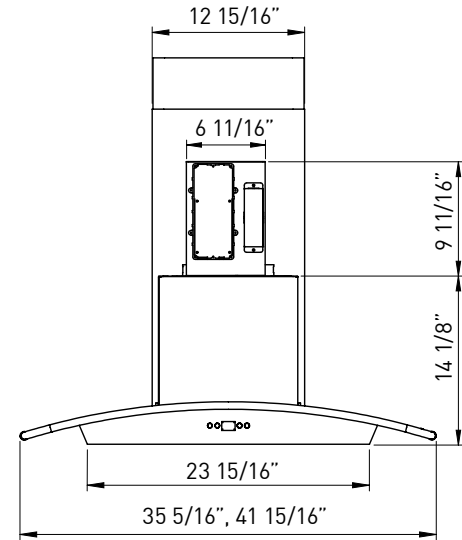
ACT™

Min. - Max. CFM	INTERNAL BLOWER STANDARD	INTERNAL BLOWER with ACT™ AIRFLOW CONTROL TECHNOLOGY™*		
	250 - 715	250 - 590	250 - 390	250 - 290
Min. - Max. Sones	0.8 - 5.8	0.8 - 4.5	0.8 - 3	0.8 - 1.2

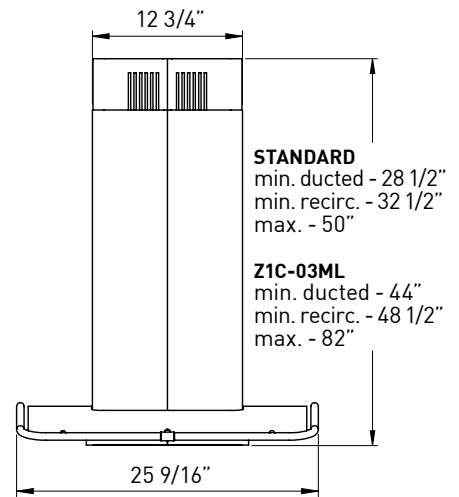
*AIRFLOW CONTROL TECHNOLOGY™ (ACT™) is an exclusive feature built into specific Zephyr hoods which can limit the maximum blower CFM to meet local code requirements.



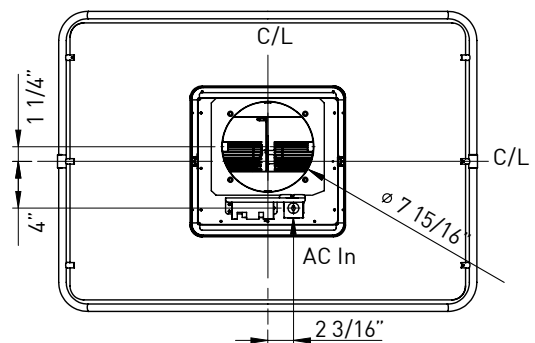
Optional Wireless Remote Control



FRONT



SIDE



TOP

MODEL

Glass canopy	ZML-M90BG	ZML-E42BG
Stainless Steel canopy	ZML-M90BS	ZML-E42BS

Size	36"	42"
Blower CFM (Min. - Max.)	250 - 715	250 - 715
Sones (Min. - Max.)	0.8 - 5.8	0.8 - 5.8
ACT 590 CFM (Min. - Max.)	250 - 590	250 - 590
ACT 590 Sones (Min. - Max.)	0.8 - 4.5	0.8 - 4.5
ACT 390 CFM (Min. - Max.)	250 - 390	250 - 390
ACT 390 Sones (Min. - Max.)	0.8 - 3	0.8 - 3
ACT 290 CFM (Min. - Max.)	250 - 290	250 - 290
ACT 290 Sones (Min. - Max.)	0.8 - 1.2	0.8 - 1.2

FEATURES

DCBL Suppression System®	Yes	Yes
ACT™ Technology	Yes	Yes
Controls	Electronic LCD	Electronic LCD
Speed Levels	5 + Burst	5 + Burst
Auto Delay-Off	Yes	Yes
Lighting	Bloom™ HD LED, 3W x4	Bloom™ HD LED, 3W x4
Dual-Level Lighting	Yes	Yes
Filters	Aluminum Mesh x2	Aluminum Mesh x2
Recirculating Option	Yes	Yes
Quick-Lock Installation	Yes	Yes
Magnetic Duct Covers	Yes	Yes
Extension Duct Cover Option	Yes, Up to 12' Ceiling	Yes, Up to 12' Ceiling
ADA Compliant	Yes (with remote accessory)	Yes (with remote accessory)

DUCT SPECIFICATIONS

Vertical Internal Blower	8" Round	8" Round
Horizontal Internal Blower	NA	NA
AC POWER	120V, 60Hz at Max. 4A	120V, 60Hz at Max. 4A

OPTIONAL ACCESSORIES


Wireless Remote Control	RC-0001	RC-0001
Recirculating Kit	ZRC-00ML	ZRC-00ML
Extension Duct Cover	Z1C-03ML	Z1C-03ML
Make-Up Air Kit	MUA008A	MUA008A

MOUNTING HEIGHT RANGE*	26" - 34"	26" - 34"
-------------------------------	-----------	-----------

WARRANTY	3 years parts, 1 year labor	3 years parts, 1 year labor
-----------------	-----------------------------	-----------------------------

CEILING HEIGHT		8'	8.5'	9'	9.5'	10'	10.5'	11'	12'
STANDARD DUCT COVER	Ducted Mounting Height*	26" - 31.5"	26" - 34"	26" - 34"	28" - 34"	34" - 34"	NA	NA	NA
	Recirc Mounting Height*	26" - 27.5"	26" - 33.5"	26" - 34"	28" - 34"	34" - 34"	NA	NA	NA
EXTENSION DUCT COVER	Ducted Mounting Height*	NA	NA	NA	26" - 30"	26" - 34"	26" - 34"	26" - 34"	28" - 34"
	Recirc Mounting Height*	NA	NA	NA	26" - 34"	26" - 34"	26" - 34"	26" - 34"	28" - 34"

*Mounting height refers to distance between top of a 36" tall cooking surface and bottom of hood.

DCBL  DCBL Suppression System® offers up to 77% less noise, up to 30% more CFM, and up to 77% more energy efficiency for the most advanced range hood technology.

ACT™ AIRFLOW CONTROL TECHNOLOGY™ (ACT™) is an exclusive feature built into specific Zephyr hoods which can limit the maximum blower CFM to meet local code requirements.

