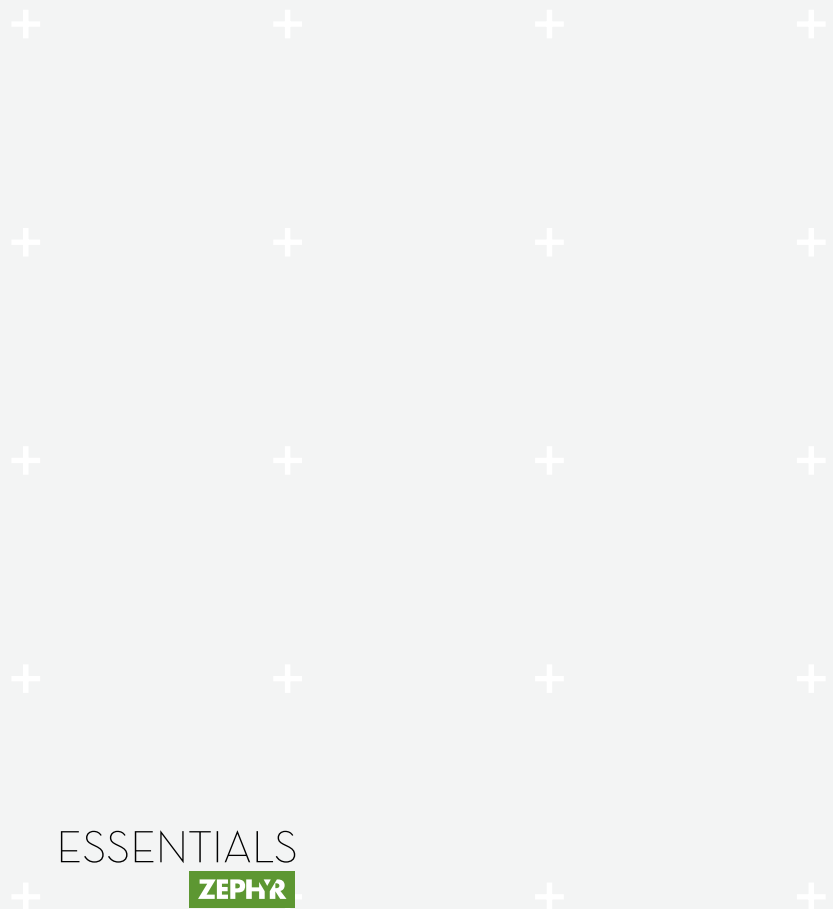


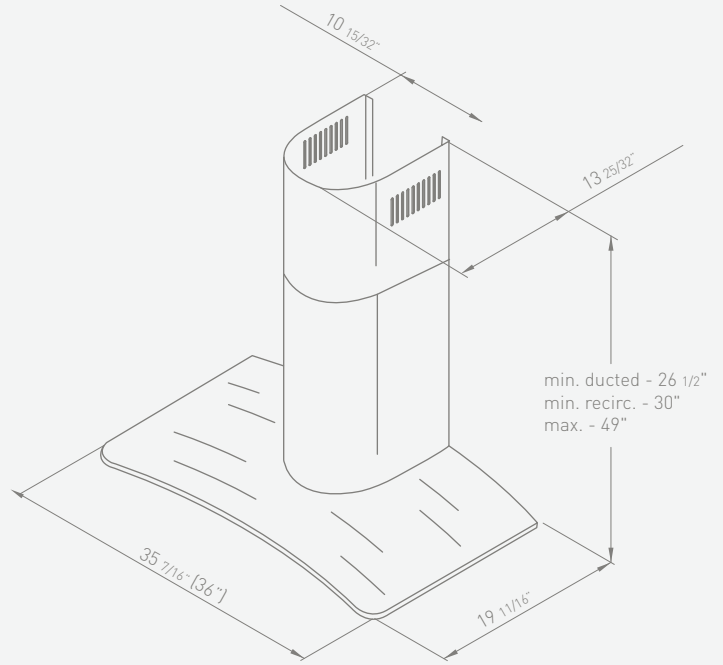
MILANO G^{WALL} MILANO S^{WALL}



A wing-like stainless steel or glass arch defines the Deco-inspired design of the Milano S and Milano G. The stainless steel option provides a durable, minimalist touch while a glass canopy alternative lets natural light sift to the work surface below. Either way, expect uncompromised engineering—with features like high-performance blowers and touch sensitive controls—and, as always, maximum style.



ESSENTIALS



MILANO GLASS CANOPY AND STAINLESS CANOPY

WALL

MODEL	ZMI-M90G AND ZMI-M90S
SIZE	36"
NET WIDTH	35-7/16"
PERFORMANCE	
Internal Blower	715 CFM
Internal Blower Sones	6
COLOR	
Stainless Steel	SS w/ Glass Canopy, SS w/ SS Canopy
FEATURES	
Controls	Electronic Touch
Speed Levels	6
Delay Off	Yes
Lighting	Halogen, 50W x 2
Dual Level Lighting	Yes
Filters	Metal Mesh x 2
Recirculating	Yes
Duct Cover Extension	Yes, Up to 14' Ceiling
DUCT SPECIFICATIONS	
Internal Blower - Vertical	6"
Internal Blower - Horizontal	NA
AC INPUT	120V - 60Hz
AC POWER	Max. 450W at 4.0 Amps
OPTIONAL ACCESSORIES	
Recirculating Kit	ZRC-0040
Extension Kit (up to 14' ceiling)	Z1C-00MI

Mounting Height (Ducted)	Min. ceiling height 7'6". Hood mounted 28" above cooking surface; 64" from floor.	Max. ceiling height 10'1". Hood mounted 36" above cooking surface; 72" from floor.
Mounting Height (Recirculating)	Min. ceiling height 7'10". Hood mounted 28" above cooking surface; 64" from floor.	Max. ceiling height 10'1". Hood mounted 36" above cooking surface; 72" from floor.

ESSENTIALS
ZEPHYR

Zephyr Corporation
395 Mendell Street
San Francisco, CA 94124

1.888.880.VENT
www.zephyronline.com feb07.0201

