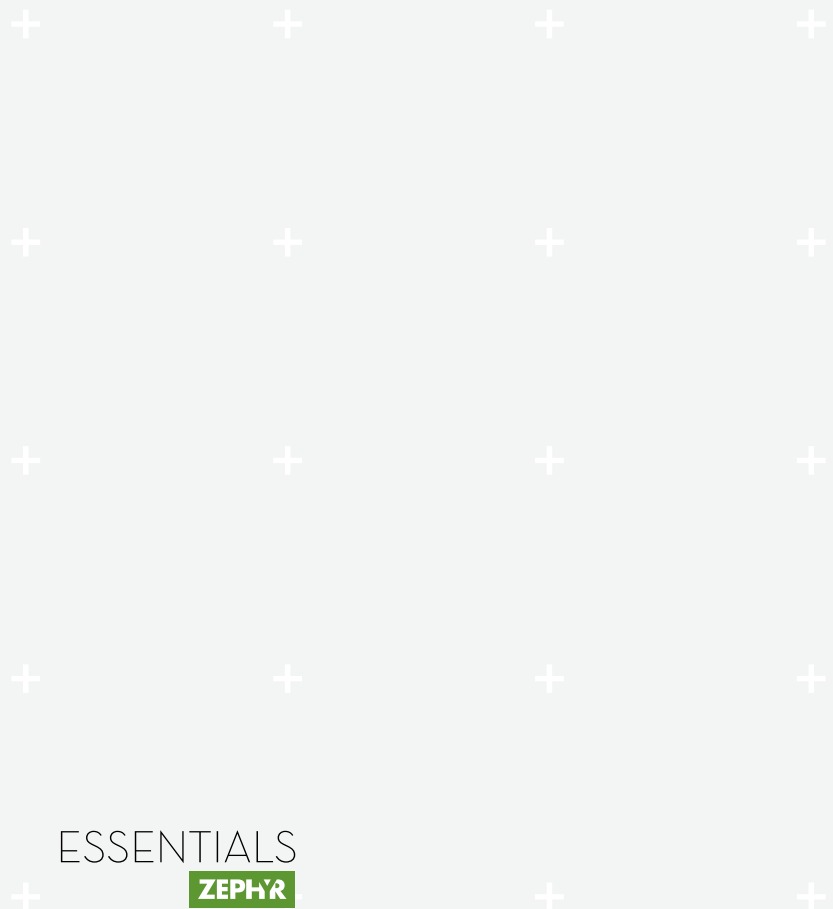


MILANO G ISLAND

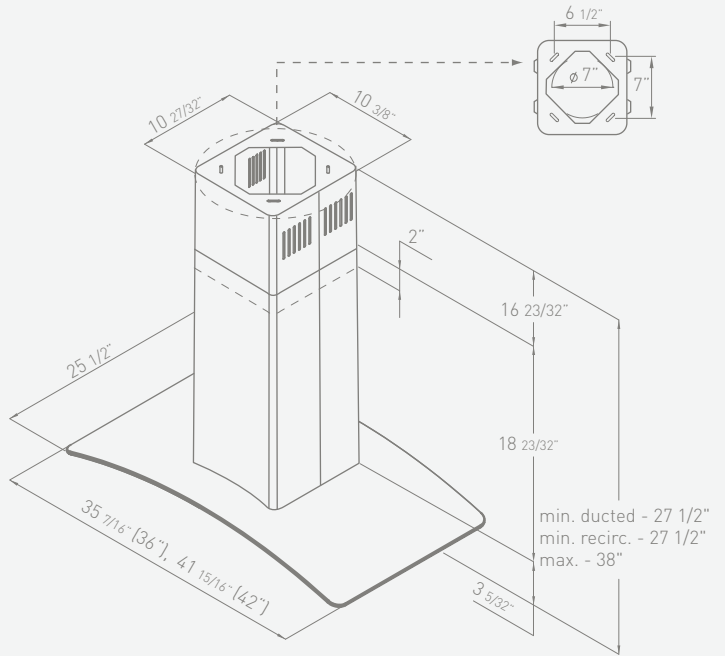
MILANO S ISLAND



A wing-like stainless steel or glass arch—the defining mark of the airy, Deco-inspired Milano S and Milano G island hoods—enlivens the heart of the kitchen. The stainless steel option provides a durable, minimalist touch while a glass canopy alternative lets natural light sift to the work surface below. Either way, expect uncompromised engineering—with features like high-performance blowers and touch sensitive controls—and, as always, maximum style.



ESSENTIALS



MILANO GLASS CANOPY AND STAINLESS CANOPY

ISLAND

| | MODEL | ZML-M90G AND ZML-M90S | ZML-E42G AND ZML-E42S |
|--|-------|---|---|
| SIZE | | 36" | 42" |
| NET WIDTH | | 35-7/16" | 41-15/16" |
| PERFORMANCE | | | |
| Internal Blower | | 715 CFM | 715 CFM |
| Internal Blower Sones | | 6 | 6 |
| COLOR | | | |
| Stainless Steel | | SS w/ Glass Canopy, SS w/ SS Canopy | SS w/ Glass Canopy, SS w/ SS Canopy |
| FEATURES | | | |
| Controls | | Electronic Touch | Electronic Touch |
| Speed Levels | | 6 | 6 |
| Delay Off | | Yes | Yes |
| Lighting | | Halogen, 50W x 2 | Halogen, 50W x 2 |
| Dual Level Lighting | | Yes | Yes |
| Filters | | Metal Mesh x 2 | Metal Mesh x 2 |
| Recirculating | | Yes | Yes |
| Duct Cover Extension | | Yes, Up to 12' Ceiling | Yes, Up to 12' Ceiling |
| DUCT SPECIFICATIONS | | | |
| Internal Blower - Vertical | | 6" | 6" |
| Internal Blower - Horizontal | | NA | NA |
| AC INPUT | | 120V - 60Hz | 120V - 60Hz |
| AC POWER | | Max. 450W at 4.0 Amps | Max. 450W at 4.0 Amps |
| OPTIONAL ACCESSORIES | | | |
| Recirculating Kit | | ZRC-0090 | ZRC-0090 |
| Extension Kit (up to 12' ceiling) | | Z1C-01ML | Z1C-01ML |
| Mounting Height (Ducted) | | Min. ceiling height 7'8". Hood mounted 28" above cooking surface; 64" from floor. | Max. ceiling height 9'2". Hood mounted 36" above cooking surface; 72" from floor. |
| Mounting Height (Recirculating) | | Min. ceiling height 7'8". Hood mounted 28" above cooking surface; 64" from floor. | Max. ceiling height 9'2". Hood mounted 36" above cooking surface; 72" from floor. |