

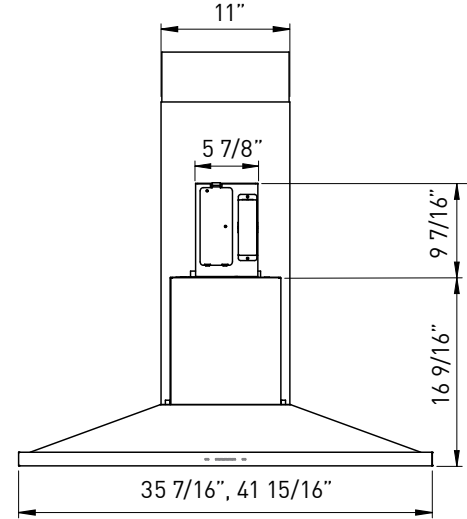
With its low-profile, bell-shaped design, Anzio adds style to any kitchen project. Its 600-CFM motor, ICON Touch® controls, and new BriteStrip™ LED lighting move it ahead of the competition. Add the Quick-Lock

installation system with magnetic duct covers and Anzio stands alone in terms of performance, design and value.

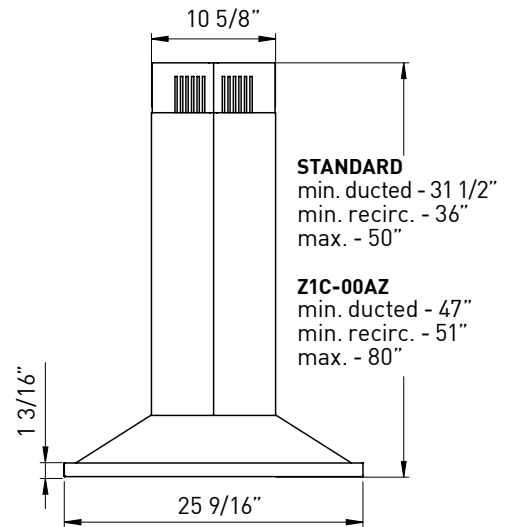
ACT™

Min. - Max. CFM	INTERNAL BLOWER STANDARD	INTERNAL BLOWER with ACT™ AIRFLOW CONTROL TECHNOLOGY™*	
	200 - 600	200 - 390	200 - 290
Min. - Max. Sones	1 - 6	1 - 4	1 - 3

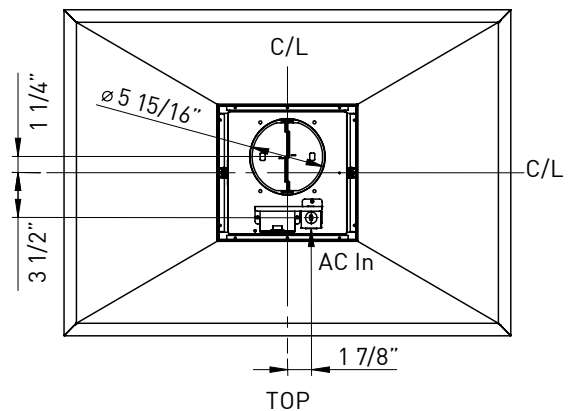
*AIRFLOW CONTROL TECHNOLOGY™ (ACT™) is an exclusive feature built into specific Zephyr hoods which can limit the maximum blower CFM to meet local code requirements.



FRONT



SIDE



TOP

MODEL	ZAZ-M90CS	ZAZ-E42CS
Stainless Steel		
Size	36"	42"
Blower CFM (Min. - Max.)	200 - 600	200 - 600
Sones (Min. - Max.)	1 - 6	1 - 6
ACT 390 CFM (Min. - Max.)	200 - 390	200 - 390
ACT 390 Sones (Min. - Max.)	1 - 4	1 - 4
ACT 290 CFM (Min. - Max.)	200 - 290	200 - 290
ACT 290 Sones (Min. - Max.)	1 - 3	1 - 3
FEATURES		
ACT™ Technology	Yes	Yes
Controls	ICON Touch®	ICON Touch®
Speed Levels	5*	5*
Auto Delay-Off	Yes	Yes
Lighting	BriteStrip™ LED x2	BriteStrip™ LED x2
Dual-Level Lighting	Yes	Yes
Filters	Aluminum Mesh x2	Aluminum Mesh x2
Recirculating Option	Yes	Yes
Quick-Lock Installation	Yes	Yes
Magnetic Duct Covers	Yes	Yes
Extension Duct Cover Option	Yes, Up to 12' Ceiling	Yes, Up to 12' Ceiling
DUCT SPECIFICATIONS		
Vertical Internal Blower	6" Round	6" Round
Horizontal Internal Blower	NA	NA
AC POWER	120V, 60Hz at Max. 4A	120V, 60Hz at Max. 4A
OPTIONAL ACCESSORIES		
Recirculating Kit	ZRC-02AZ	ZRC-02AZ
Extension Duct Cover	Z1C-00AZ	Z1C-00AZ
Make-Up Air Kit	MUA006A	MUA006A
Hybrid Baffle Filter Kit (2 filters)	Z0F-B002	Z0F-B002
MOUNTING HEIGHT RANGE**	26" - 34"	26" - 34"
WARRANTY	3 years parts, 1 year labor	3 years parts, 1 year labor

CEILING HEIGHT		8'	8.5'	9'	9.5'	10'	10.5'	11'	12'
STANDARD DUCT COVER	Ducted Mounting Height**	26" - 28.5"	26" - 34"	26" - 34"	28" - 34"	34" - 34"	NA	NA	NA
	Recirc Mounting Height**	NA	26" - 30"	26" - 34"	28" - 34"	34" - 34"	NA	NA	NA
EXTENSION DUCT COVER	Ducted Mounting Height**	NA	NA	NA	26" - 31"	26" - 34"	26" - 34"	26" - 34"	28" - 34"
	Recirc Mounting Height**	NA	NA	NA	26" - 27"	26" - 33"	26" - 34"	26" - 34"	28" - 34"

*When ACT™ is enabled the maximum speed levels will change. ACT 390 CFM = 3 speeds and ACT 290 CFM = 2 speeds.
 **Mounting height refers to distance between top of a 36" tall cooking surface and bottom of hood.

ACT™ AIRFLOW CONTROL TECHNOLOGY™ (ACT™) is an exclusive feature built into specific Zephyr hoods which can limit the maximum blower CFM to meet local code requirements.

