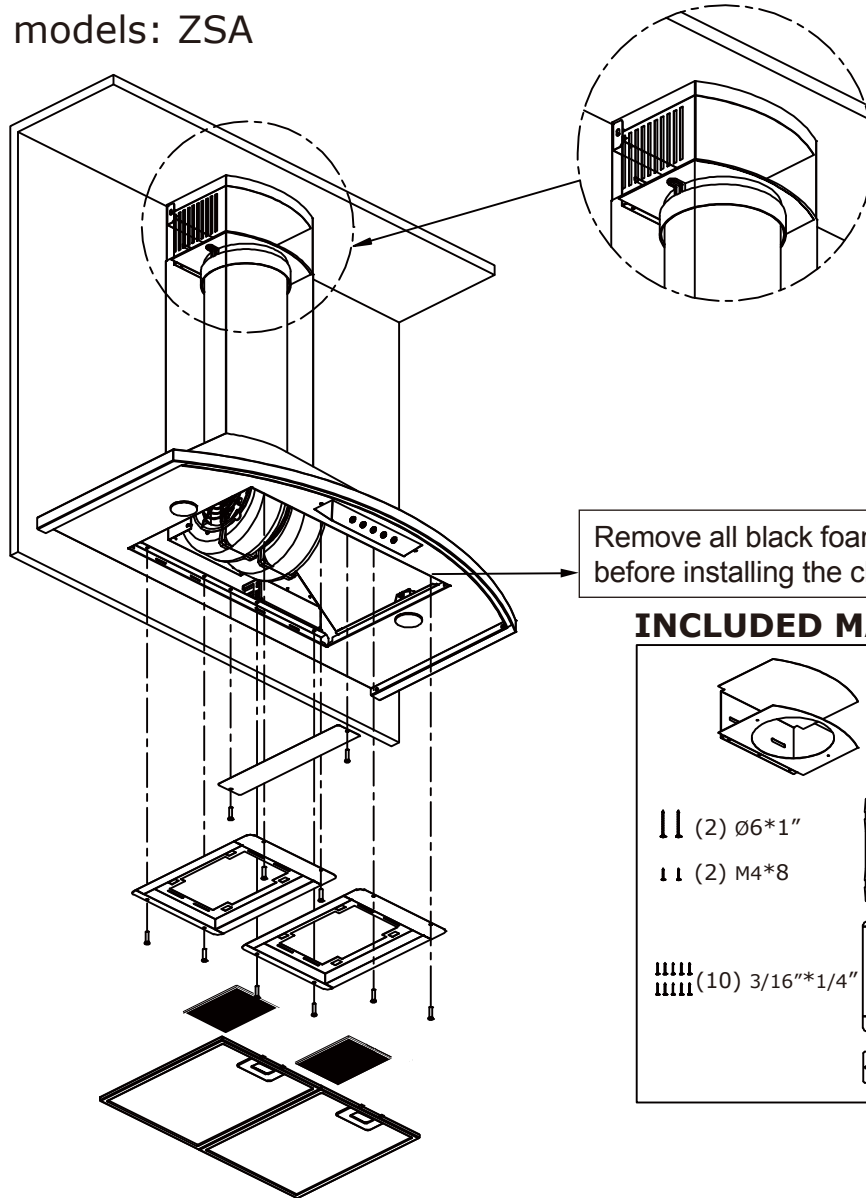


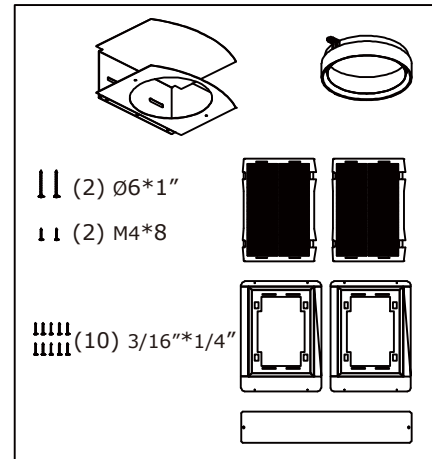
ZRC-00SV

For use with models: ZSA



Remove all black foam from filter opening before installing the charcoal filter brackets.

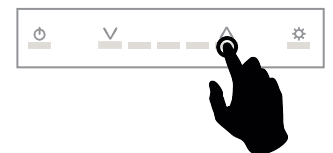
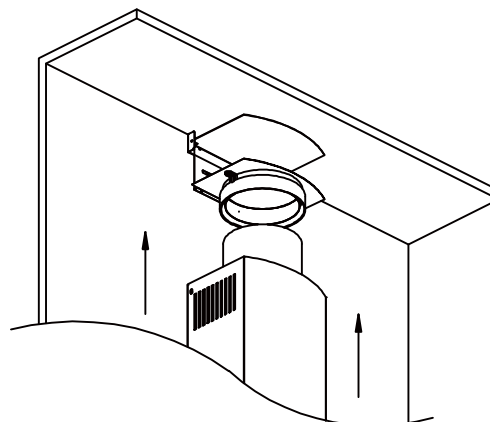
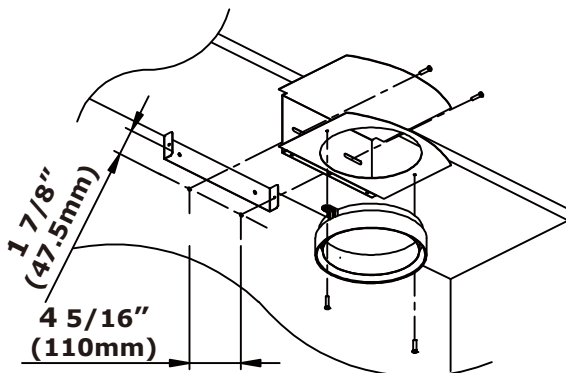
INCLUDED MATERIALS



1

2

3



Follow instructions in hood manual to enable the "replace charcoal filter" indicator on the hood controls.