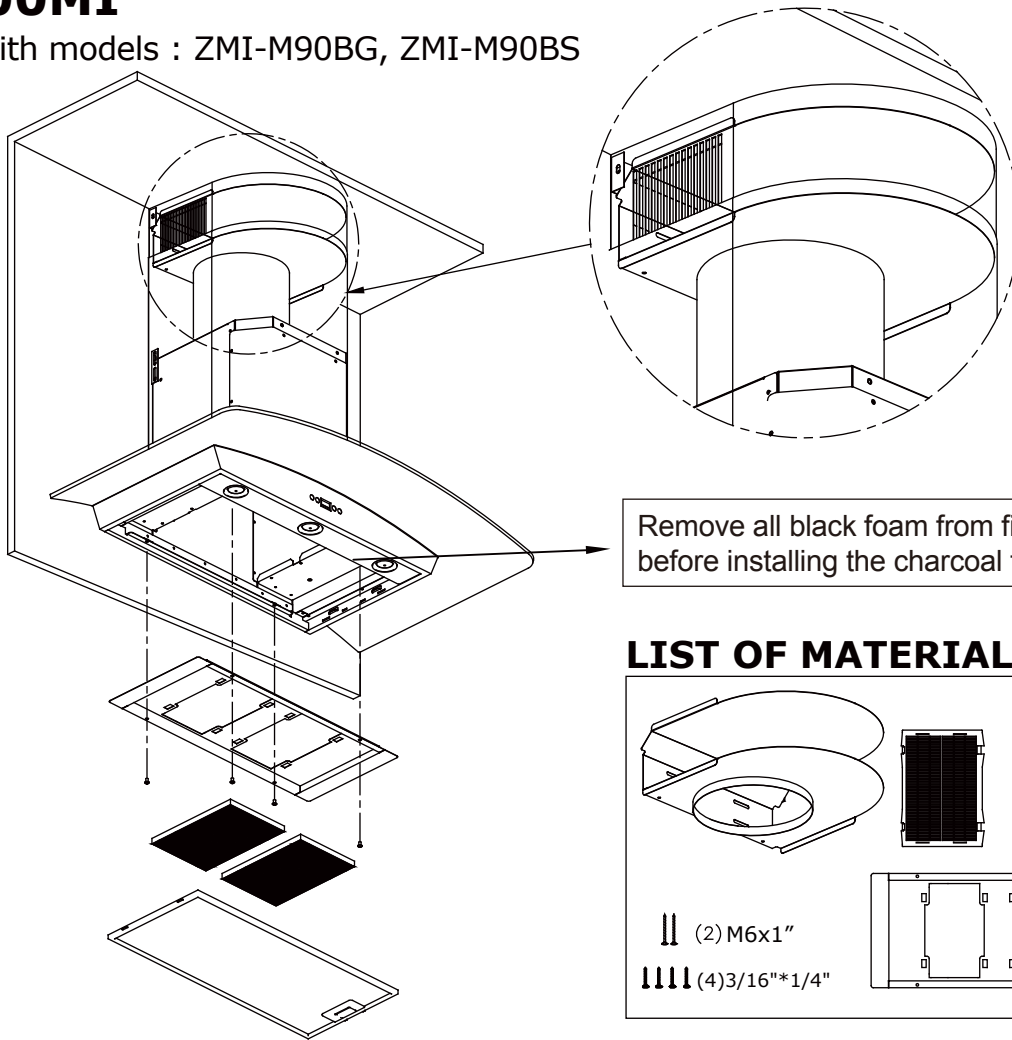


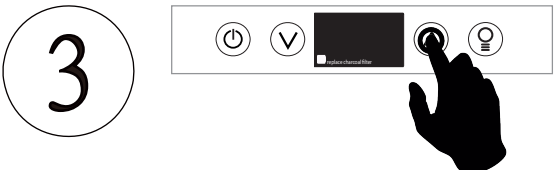
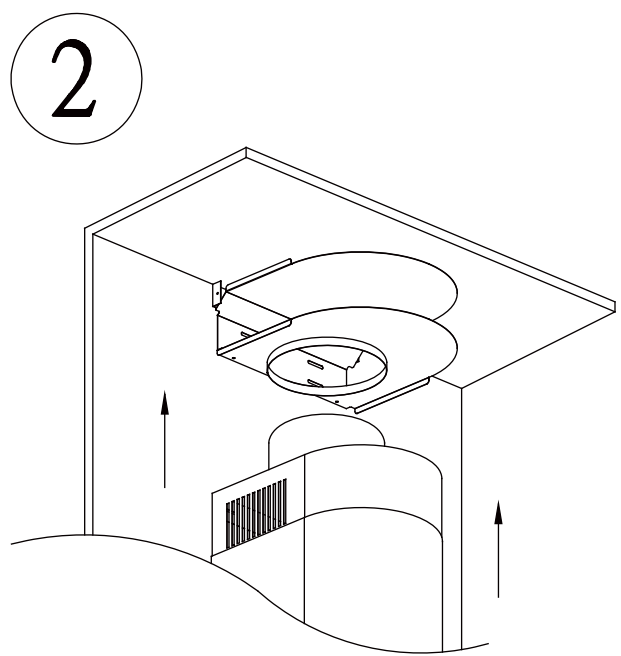
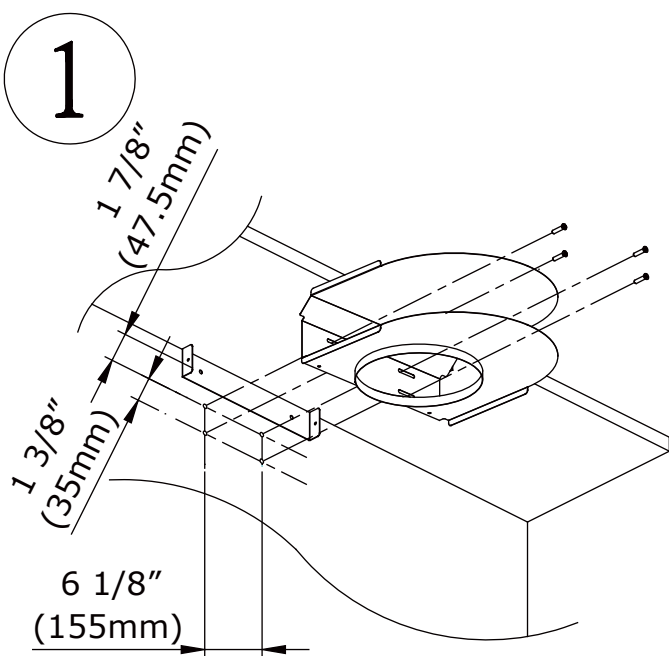
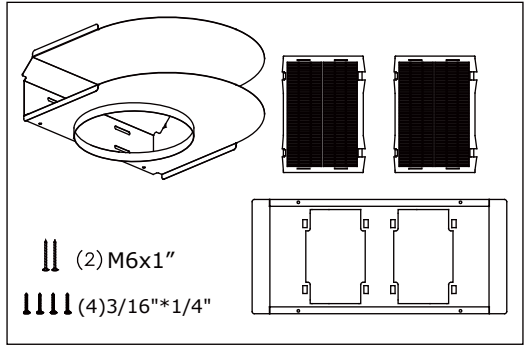
ZRC-00MI

For use with models : ZMI-M90BG, ZMI-M90BS



Remove all black foam from filter opening before installing the charcoal filter brackets.

LIST OF MATERIALS



Follow instructions in hood manual to enable the "replace charcoal filter" indicator on the hood controls.