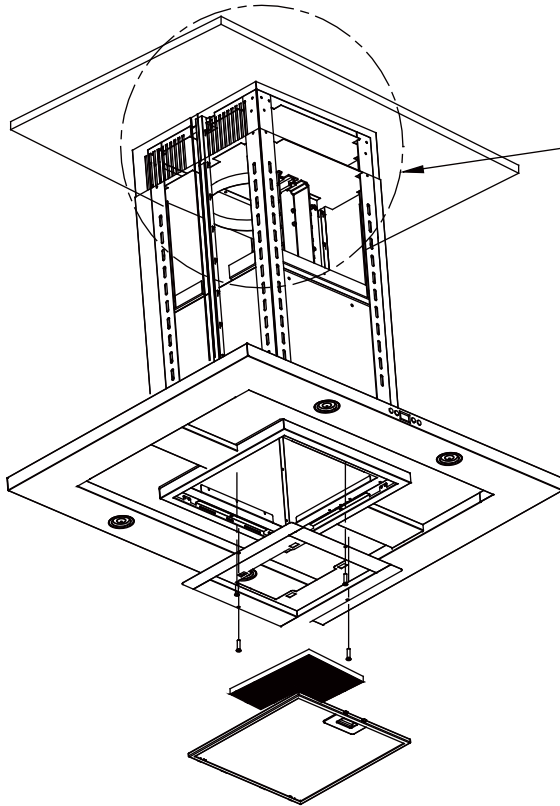


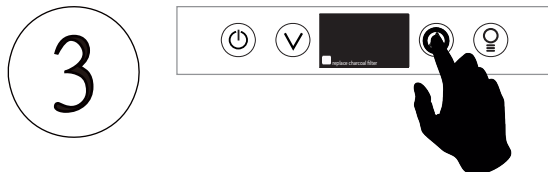
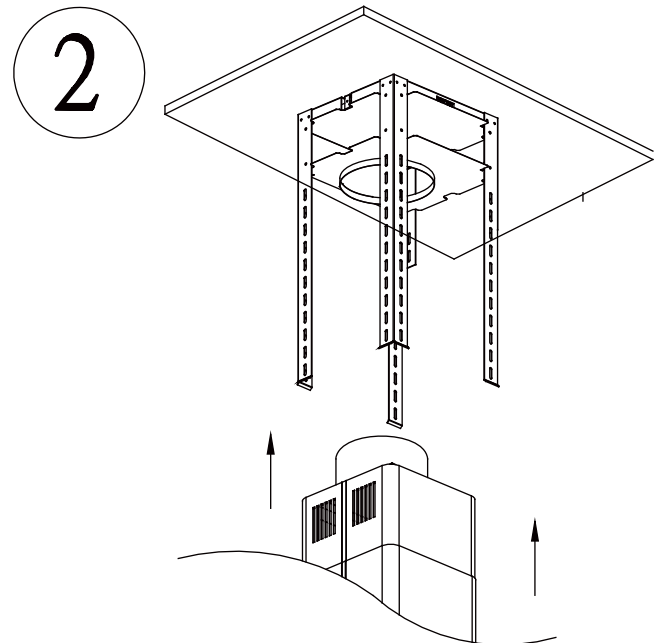
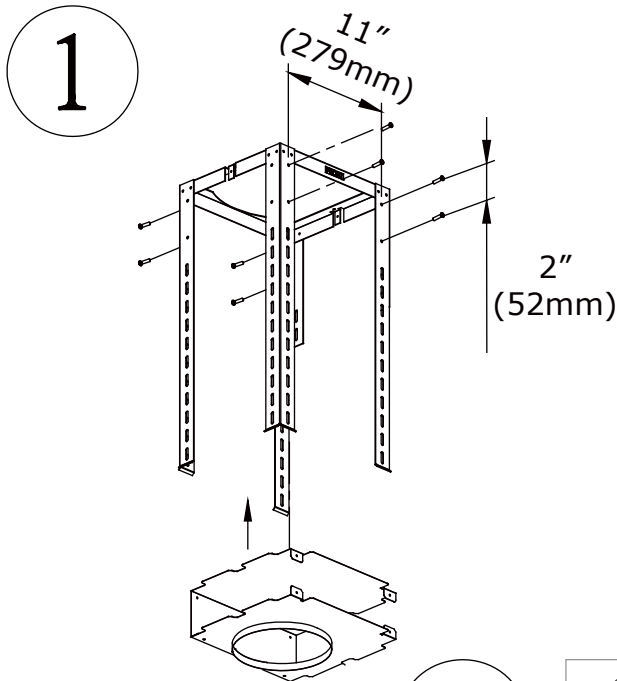
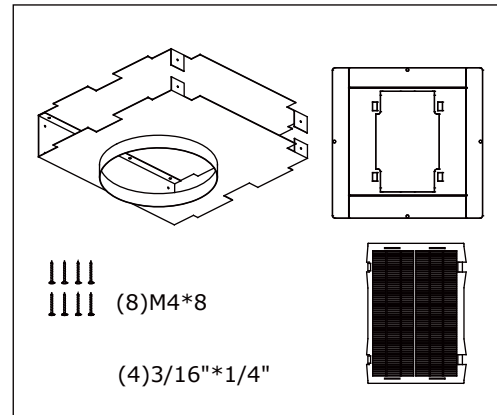
ZRC-00MD

For use with models : ZMD-M90AS, ZMD-E42AS



Remove all black foam from filter opening before installing the charcoal filter brackets.

INCLUDED MATERIAL



Follow instructions in hood manual to enable the "replace charcoal filter" indicator on the hood controls.