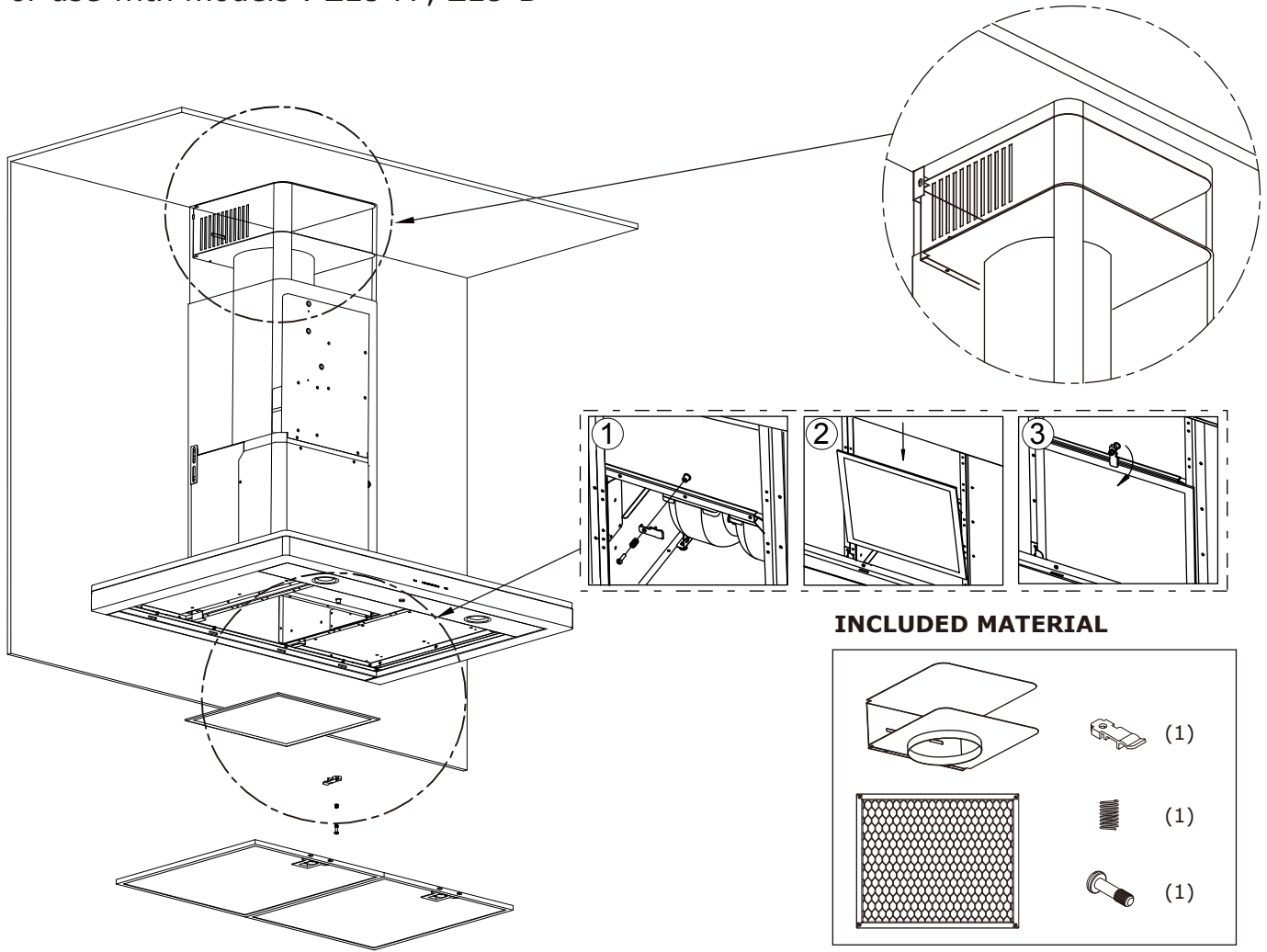
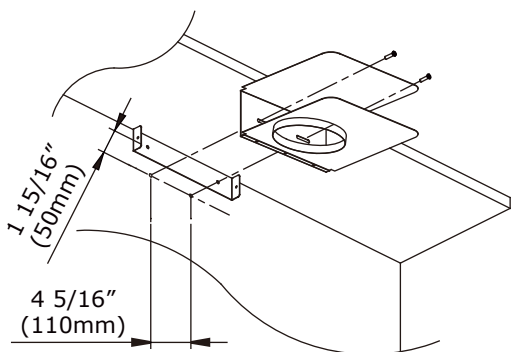


ZRC-00LU

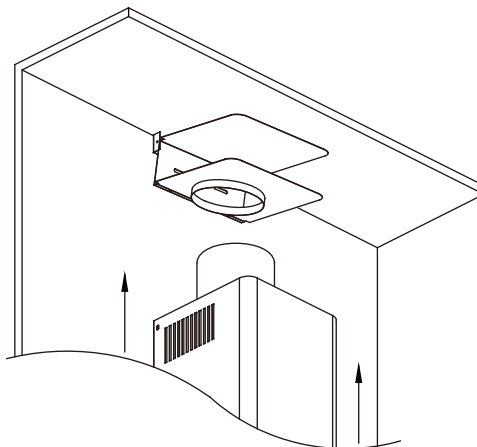
For use with models : ZLU-A , ZLU-B



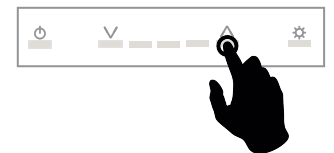
1



2



3



Follow instructions in hood manual to enable the "replace charcoal filter" indicator on the hood controls.